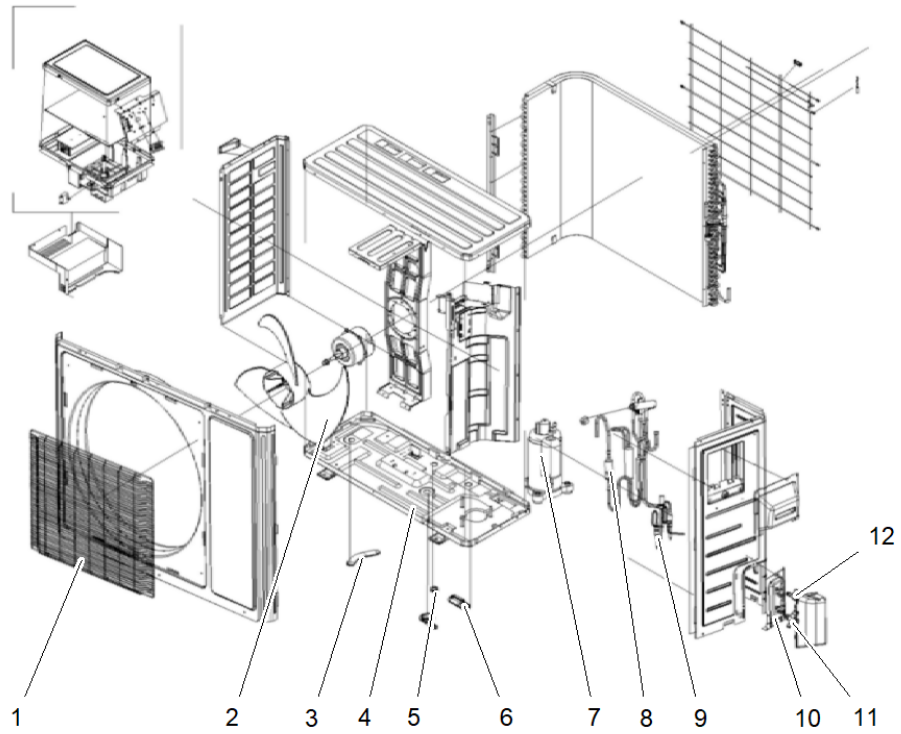


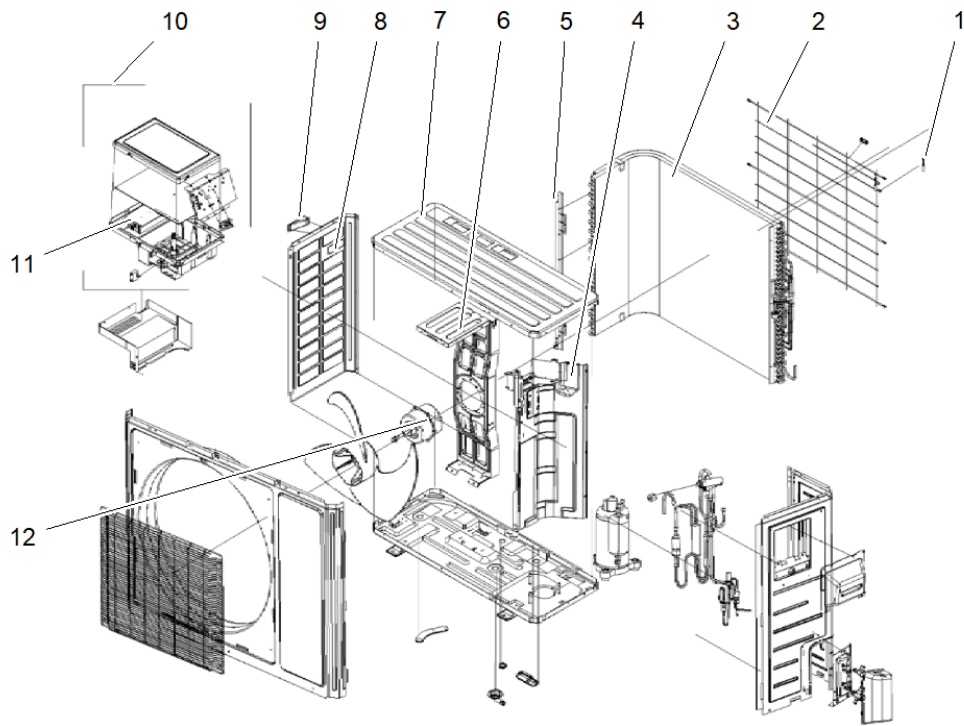
Part No.	Reference No.	Quantity	Description
0000157033~S	*		General Assembly 1
0000157034~S	*		General Assembly 2
0000157032~S	*		Model Number Description

Part No.	Reference No.	Quantity	Description
0000030659~P	*		General Assembly 1



Part No.	Reference No.	Quantity	Description
GRL02218	1	1	GRILLE; FRONT OUTDOOR FAN
FAN04378	2	1	FAN; AXIAL FLOW
CAP01329	3	1	CAP; DRAINAGE HOLE
PNL35355	4	1	PANEL; CHASSIS SUB ASSEMBLY
CAP01252	5	1	CAP; DRAINAGE HOLE
CAP01253	6	1	CAP; DRAINAGE HOLE
COM11893	7	1	COMPRESSOR; AND FITTINGS
VAL18590	8	1	VALVE; 4-WAY ASSEMBLY
VAL20438	9	1	VALVE; ELECTRONIC EXPANSION ASSEMBLY
SUP06352	10	1	SUPPORT; VALVE, SUPPORT
VAL11943	11	1	VALVE; CUT OFF
VAL09362	12	1	VALVE; CUT-OFF LIQUID

Part No.	Reference No.	Quantity	Description
0000030660~P	*		General Assembly 2



Part No.	Reference No.	Quantity	Description
SEN02666	1	1	SENSOR; TEMPERATURE
GRL02141	2	1	GRILLE; FRONT
COL28285	3	1	COIL; CONDENSER ASSY
PNL35351	4	1	PANEL; CONTROL BOX AIR FLOW SEPARATOR
SUP06353	5	1	SUPPORT; CONDENSER PLATE
SUP06354	6	1	SUPPORT; MOTOR SUPPORT
COV05506	7	1	COVER; TOP COVER
PLT06281	8	1	PLATE; LEFT SIDE
HDL01293	9	1	HANDLE;
CNT08793	10	1	CONTROL; ELECTRIC BOX ASSEMBLY
COL28026	11	1	COIL; RADIATOR
MOT20624	12	1	MOTOR; FAN

Part No.	Reference No.	Quantity	Description
000030640~P	*		Model Number Description(Outdoor Unit)

MODEL NUMBER DESCRIPTION
17/25 SEER MINI SPLIT LOMO OUTDOOR

75015158

REV
A

Example Model Number:
4TXK1709A10N0AA
1 - - - 5 - - - 10 - - - 15

Digits 1 – Refrigerant
4 = R-410A

Digits 2 – Brand
T = Outdoor Unit

Digits 3 – Functional Type
X = Heat Pump Inverter
Y = Cooling Only Inverter

Digits 4 – Configuration Outdoor Unit
K = Single Refrigerant Port

Digits 5, 6 – Efficiency Tier
17 = 17 SEER Series
25 = 25 SEER Series

Digits 7, 8 – Nominal Capacity (Btu/h x 1,000)
09 = 9,000 Btu/h
12 = 12,000 Btu/h
18 = 18,000 Btu/h
24 = 24,000 Btu/h
30 = 30,000 Btu/h
36 = 36,000 Btu/h

Digits 9 – Major Development Sequence
A = First Development Sequence

Digits 10 – Electric Power Supply Characteristics
1 = 208-230/60/1

Digits 11 – Reserved for Future Use
0 = Not Currently Used

Digits 12 – Regional Markets Served (1:1 Systems)
N = North America Market

Digits 13 – Reserved for Future Use
0 = Not Currently Used

Digits 14 – Minor Design Sequence
A = First Design Sequence

Digits 15 – Service Digit
A = First Sequence

