

Part No.	Reference No.	Quantity	Description
75013026#4MXW2UP1~S	*		2.5 & 3 TON ODU GENERAL ASSY
4MXW2UP1_4MXW2UP1_268254~P	*		4MXW2UP1 PARTS LIST
75013020#4MXW2UP1~S	*		2.5 & 3 TON ODU ELECTRIC BOX ASSY
75013028#4MXW2UP1~S	*		OUTDOOR MODEL NOMENCLATURE

NO GRAPHIC AVAILABLE

75013702

REV
A

**NO
GRAPHIC
AVAILABLE**

MODEL NUMBER DESCRIPTION
OUTDOOR 23 SEER HP INVERTER HIGH WALL

75013028

REV.
A

Example Model Number:
4TXK2312A10N0AA
1 - - - 5 - - - 10 - - - 15

Digits 1 – Refrigerant

4 = R-410A

Digits 2 – Brand

T = Outdoor Unit

Digits 3 – Functional Type

X = Heat Pump Inverter
Y = Cooling Only Inverter

Digits 4 – Configuration Outdoor Unit

K = Single Refrigerant Port

Digits 5, 6 – Efficiency Tier

23 = 23 SEER Series

Digits 7, 8 – Nominal Capacity (Btu/h x 1,000)

09 = 9,000 Btu/h
12 = 12,000 Btu/h
18 = 18,000 Btu/h
24 = 24,000 Btu/h
30 = 30,000 Btu/h
36 = 36,000 Btu/h

Digits 9 – Major Development Sequence

A = First Development Sequence

Digits 10 – Electric Power Supply Characteristics

1 = 208-230/60/1

Digits 11 – Refrigerant Ports

0 = Mini-Split Systems

Digits 12 – Regional Markets Served (1:1 Systems)

N = North America Market

Digits 13 – Reserved for Future Use

0 = Not Currently Used

Digits 14 – Minor Design Sequence

A = First Design Sequence

Digits 15 – Service Digit

A = First Sequence

Part No.	Reference No.	Quantity	Description
75013028_4MXW2UP1_268257~ P	*		OUTDOOR MODEL NOMENCLATURE PARTS LIST

MODEL NUMBER DESCRIPTION
OUTDOOR 23 SEER HP INVERTER HIGH WALL

75013028

REV.
A

Example Model Number:
4TXK2312A10N0AA
1 - - - 5 - - - 10 - - - 15

Digits 1 – Refrigerant

4 = R-410A

Digits 2 – Brand

T = Outdoor Unit

Digits 3 – Functional Type

X = Heat Pump Inverter
Y = Cooling Only Inverter

Digits 4 – Configuration Outdoor Unit

K = Single Refrigerant Port

Digits 5, 6 – Efficiency Tier

23 = 23 SEER Series

Digits 7, 8 – Nominal Capacity (Btu/h x 1,000)

09 = 9,000 Btu/h
12 = 12,000 Btu/h
18 = 18,000 Btu/h
24 = 24,000 Btu/h
30 = 30,000 Btu/h
36 = 36,000 Btu/h

Digits 9 – Major Development Sequence

A = First Development Sequence

Digits 10 – Electric Power Supply Characteristics

1 = 208-230/60/1

Digits 11 – Refrigerant Ports

0 = Mini-Split Systems

Digits 12 – Regional Markets Served (1:1 Systems)

N = North America Market

Digits 13 – Reserved for Future Use

0 = Not Currently Used

Digits 14 – Minor Design Sequence

A = First Design Sequence

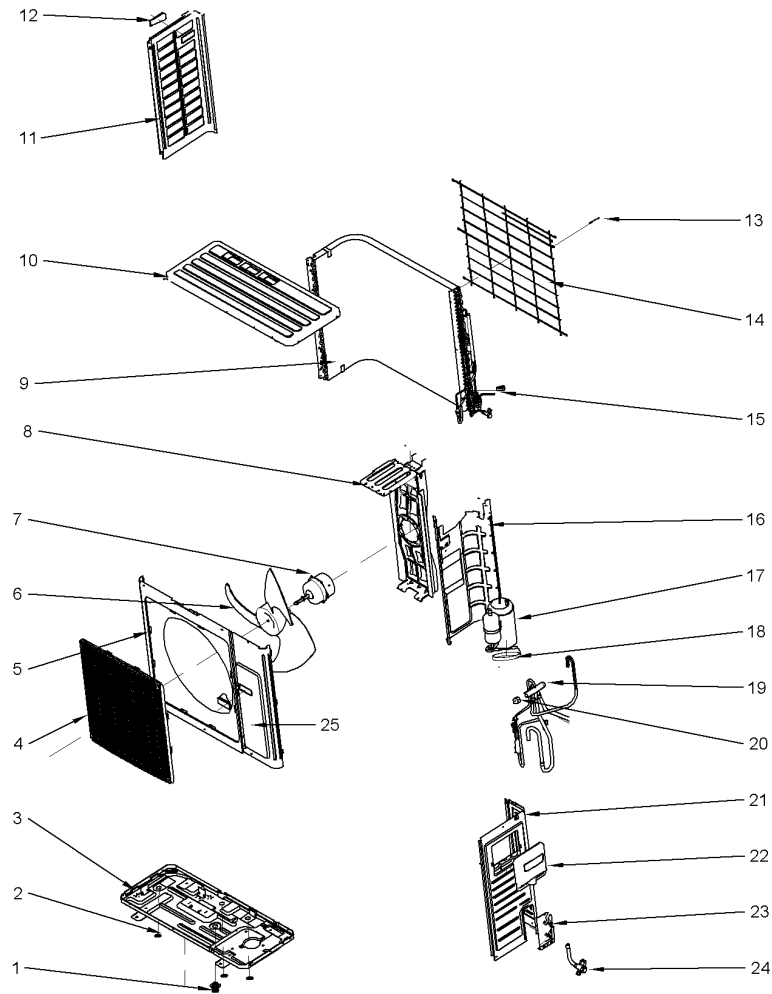
Digits 15 – Service Digit

A = First Sequence

23 SEER ODU GENERAL ASSY
2.5 & 3.0 TON

75013026

REV.
A



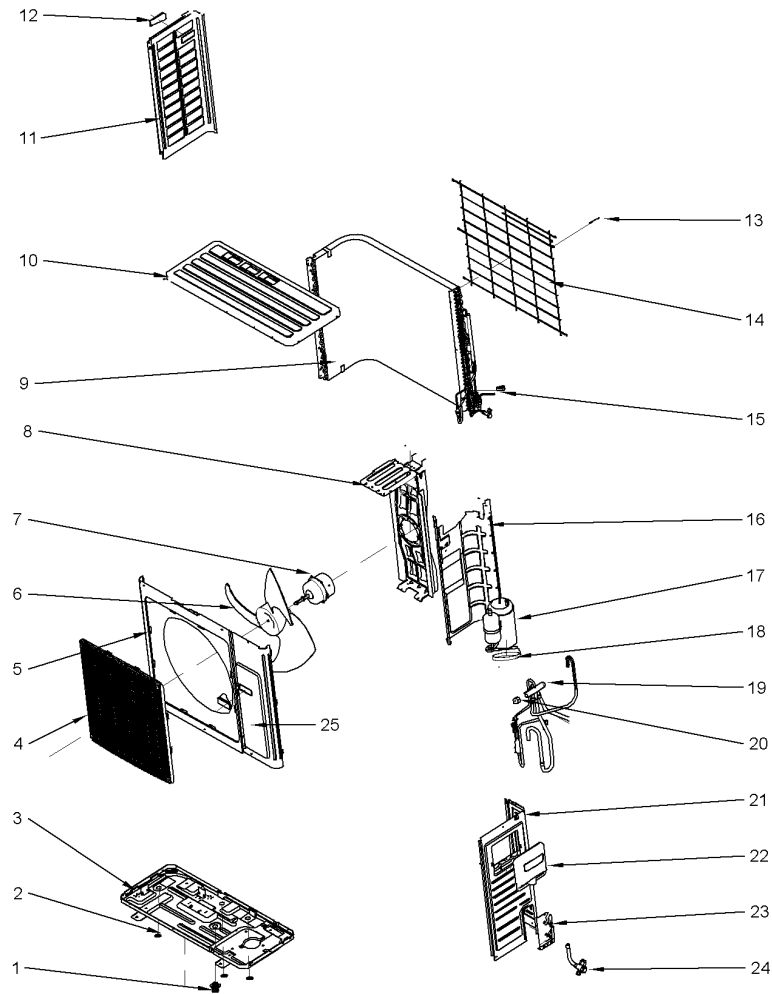
All orderable Service Parts are identified for this product.
Parts that are not identified, will not be available to order.
This is a typical illustration. The unit in the field may not appear exactly as shown.

Part No.	Reference No.	Quantity	Description
75013026_4MXW2UP1_292594~ P	*		2.5 & 3 TON ODU GENERAL ASSY PARTS LIST

23 SEER ODU GENERAL ASSY
2.5 & 3.0 TON

75013026

REV.
A



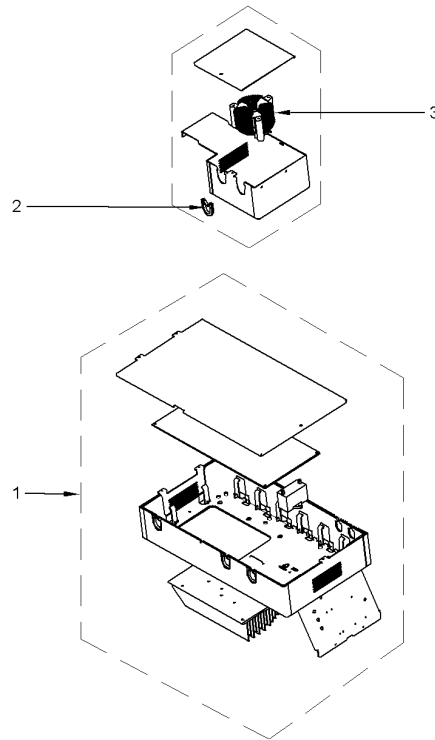
All orderable Service Parts are identified for this product.
Parts that are not identified, will not be available to order.
This is a typical illustration. The unit in the field may not appear exactly as shown.

Part No.	Reference No.	Quantity	Description
CAP01391	*	2	CAP; DRAINAGE HOLE
COV04874	*	1	COVER; VALVE
FTG01441	*	1	FITTING; ELECTRIC EXPAND VALVE FITTING
GKT04739	*	3	GASKET; COMPRESSOR
HDL01100	*	1	HANDLE; HANDLE ASSY(02113109)
HTR16089	*	1	HEATER; BASE PAN
OLD00797	*	1	OVERLOAD; PROTECTOR, COMPRESSOR (EXTERNAL)
PLT05362	*	1	PLATE; CONDENSER SUPPORT
PNL36126	*	1	PANEL; CLAPBOARD, SUB-ASSY
VAL19295	*	1	VALVE; VAPOR REFRIGERANT SERVICE VALVE
FTG01288	1	1	FITTING; DRAINAGE JOINT
CAP01252	2	1	CAP; DRAINAGE HOLE
BAS03162	3	1	BASE; CHASSIS, SUB-ASSY
GRL02234	4	1	GRILLE; FRONT OUTDOOR FAN
CAS02042	5	1	CASING; CABINET
FAN05385	6	1	FAN; AXIAL FLOW
MOT17278	7	1	MOTOR; BRUSHLESS DC FAN, 120W, 310V
SUP06460	8	1	SUPPORT; MOTOR, SUPPORT SUB-ASSY
COL28939	9	1	COIL; OUTDOOR CONDENSER COIL WITH ELECTRONIC EXPANSION VALVE
PNL35752	10	1	PANEL; TOP COVER SUB-ASSY
PNL29543	11	1	PANEL; LEFT SIDE PLATE
HDL01293	12	1	HANDLE;
SEN02070	13	1	SENSOR; TEMPERATURE
GRL01948	14	1	GRILLE; REAR
VAL19172	15	1	VALVE; ELECTRIC EXPANSION SUB-ASSY
COM11778	17	1	COMPRESSOR; AND FITTINGS
HTR12715	18	1	HEATER; ELECTRICAL HEATER(COMPRESSOR)
VAL19137	19	1	VALVE; 4-WAY ASSY
COL18591	20	1	COIL; MAGNET
PNL29409	21	1	PANEL; RIGHT SIDE PLATE
HDL01233	22	1	HANDLE; BIG
PNL29410	23	1	PANEL; LEFT SIDE PLATE
VAL09900	24	1	VALVE; CUT-OFF (GAS)
PLT05367	25	1	PLATE; FRONT SIDE, SUB-ASSY

23 SEER ODU ELECTRIC BOX ASSY
2.5 & 3.0 TON

75013020

REV.
A



All orderable Service Parts are identified for this product.

Parts that are not identified, will not be available to order.

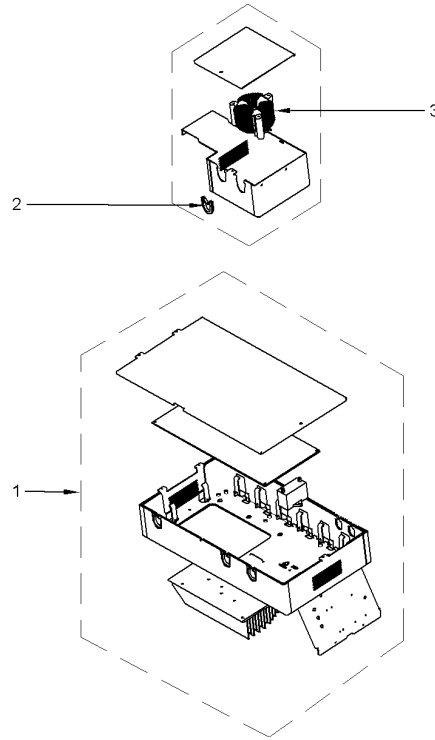
This is a typical illustration. The unit in the field may not appear exactly as shown.

Part No.	Reference No.	Quantity	Description
75013020_4MXW2UP1_292592~ P	*		2.5 & 3 TON ODU ELECTRIC BOX ASSY PARTS

23 SEER ODU ELECTRIC BOX ASSY
2.5 & 3.0 TON

75013020

REV.
A



All orderable Service Parts are identified for this product.
Parts that are not identified, will not be available to order.
This is a typical illustration. The unit in the field may not appear exactly as shown.

Part No.	Reference No.	Quantity	Description
BRD06889	*	1	BOARD; MAIN
BOX03843	1	1	BOX; ENCLOSURE INCLUDES MAIN BOARD, COVER AND HEAT SINK
RNG02569	2	2	RING; PASS WIRE SUB-ASSY