

Part No.	Reference No.	Quantity	Description
75013025#4MXW2UP1~S	*		2 TON ODU GENERAL ASSY
4MXW2UP1_4MXW2UP1_268254~P	*		4MXW2UP1 PARTS LIST
75013019#4MXW2UP1~S	*		1.5 & 2 TON ODU ELECTRIC BOX ASSY
75013028#4MXW2UP1~S	*		OUTDOOR MODEL NOMENCLATURE

NO GRAPHIC AVAILABLE

75013702

REV
A

**NO
GRAPHIC
AVAILABLE**

MODEL NUMBER DESCRIPTION
OUTDOOR 23 SEER HP INVERTER HIGH WALL

75013028

REV.
A

Example Model Number:
4TXK2312A10N0AA
1 - - - 5 - - - 10 - - - 15

Digits 1 – Refrigerant

4 = R-410A

Digits 2 – Brand

T = Outdoor Unit

Digits 3 – Functional Type

X = Heat Pump Inverter
Y = Cooling Only Inverter

Digits 4 – Configuration Outdoor Unit

K = Single Refrigerant Port

Digits 5, 6 – Efficiency Tier

23 = 23 SEER Series

Digits 7, 8 – Nominal Capacity (Btu/h x 1,000)

09 = 9,000 Btu/h
12 = 12,000 Btu/h
18 = 18,000 Btu/h
24 = 24,000 Btu/h
30 = 30,000 Btu/h
36 = 36,000 Btu/h

Digits 9 – Major Development Sequence

A = First Development Sequence

Digits 10 – Electric Power Supply Characteristics

1 = 208-230/60/1

Digits 11 – Refrigerant Ports

0 = Mini-Split Systems

Digits 12 – Regional Markets Served (1:1 Systems)

N = North America Market

Digits 13 – Reserved for Future Use

0 = Not Currently Used

Digits 14 – Minor Design Sequence

A = First Design Sequence

Digits 15 – Service Digit

A = First Sequence

Part No.	Reference No.	Quantity	Description
75013028_4MXW2UP1_268257~ P	*		OUTDOOR MODEL NOMENCLATURE PARTS LIST

MODEL NUMBER DESCRIPTION
OUTDOOR 23 SEER HP INVERTER HIGH WALL

75013028

REV.
A

Example Model Number:
4TXK2312A10N0AA
1 - - - 5 - - - 10 - - - 15

Digits 1 – Refrigerant

4 = R-410A

Digits 2 – Brand

T = Outdoor Unit

Digits 3 – Functional Type

X = Heat Pump Inverter
Y = Cooling Only Inverter

Digits 4 – Configuration Outdoor Unit

K = Single Refrigerant Port

Digits 5, 6 – Efficiency Tier

23 = 23 SEER Series

Digits 7, 8 – Nominal Capacity (Btu/h x 1,000)

09 = 9,000 Btu/h
12 = 12,000 Btu/h
18 = 18,000 Btu/h
24 = 24,000 Btu/h
30 = 30,000 Btu/h
36 = 36,000 Btu/h

Digits 9 – Major Development Sequence

A = First Development Sequence

Digits 10 – Electric Power Supply Characteristics

1 = 208-230/60/1

Digits 11 – Refrigerant Ports

0 = Mini-Split Systems

Digits 12 – Regional Markets Served (1:1 Systems)

N = North America Market

Digits 13 – Reserved for Future Use

0 = Not Currently Used

Digits 14 – Minor Design Sequence

A = First Design Sequence

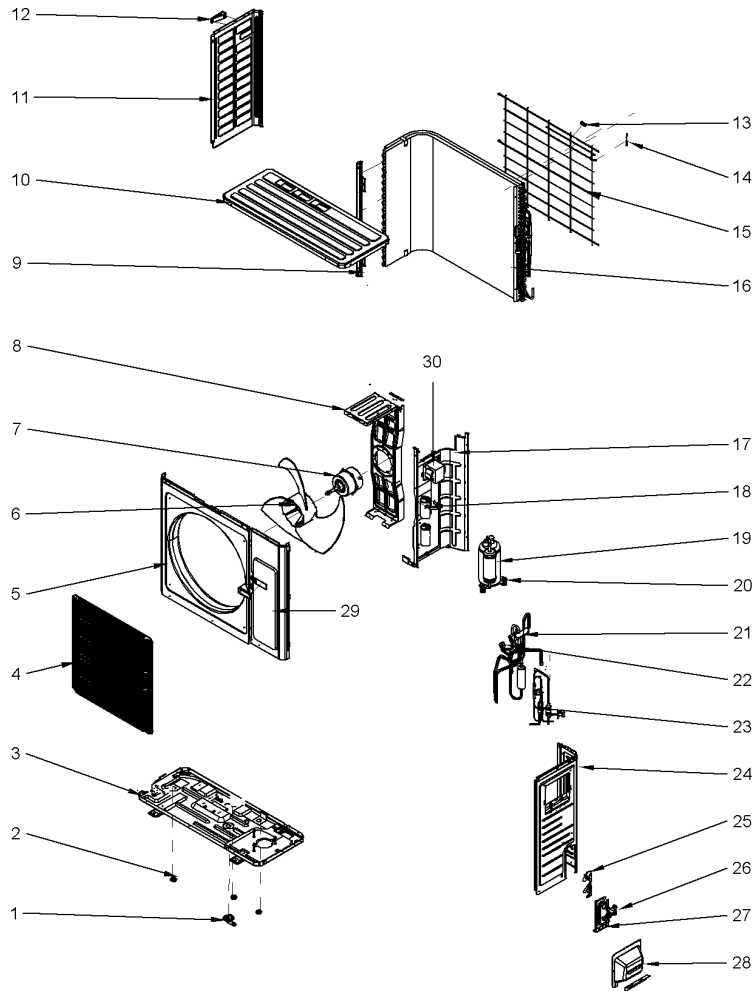
Digits 15 – Service Digit

A = First Sequence

23 SEER ODU GENERAL ASSY
2.0 TON

75013025

REV.
A



All orderable Service Parts are identified for this product.

Parts that are not identified, will not be available to order.

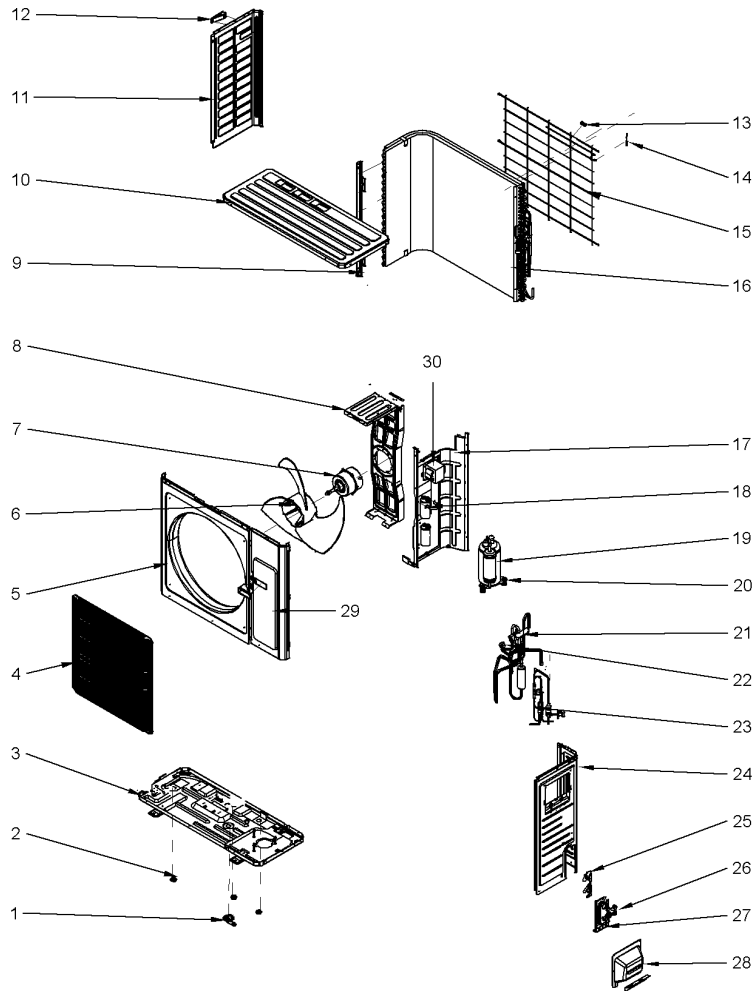
This is a typical illustration. The unit in the field may not appear exactly as shown.

Part No.	Reference No.	Quantity	Description
75013025_4MXW2UP1_321653~ P	*		2 TON ODU GENERAL ASSY PARTS LIST

23 SEER ODU GENERAL ASSY
2.0 TON

75013025

REV.
A



All orderable Service Parts are identified for this product.

Parts that are not identified, will not be available to order.

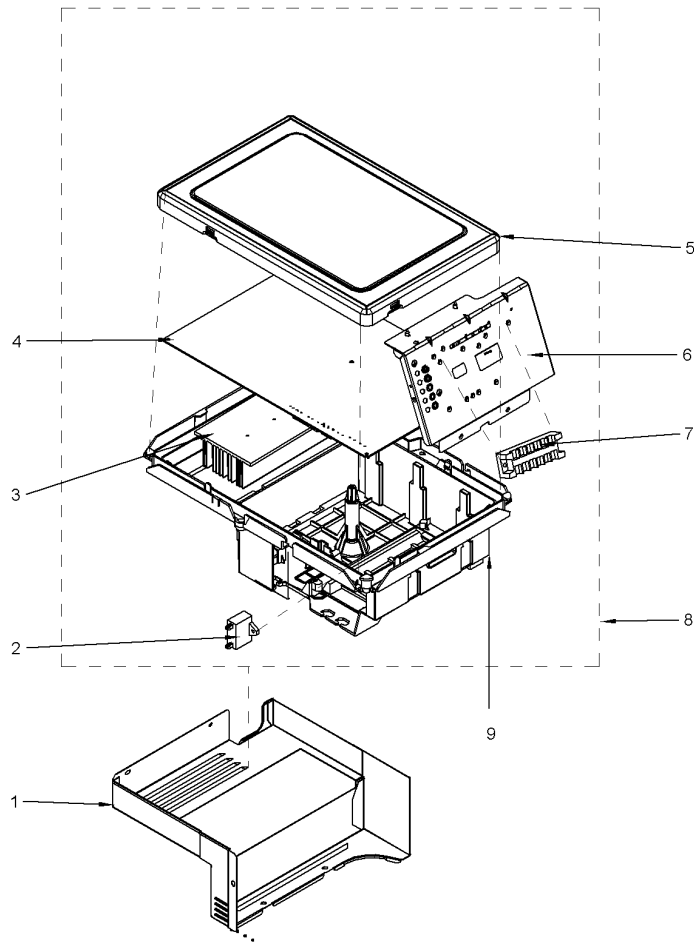
This is a typical illustration. The unit in the field may not appear exactly as shown.

Part No.	Reference No.	Quantity	Description
BLK01462	*	1	BLOCK;
CAP01391	*	1	CAP; DRAINAGE HOLE
ELM09214	*	1	ELEMENT; ELECTRICAL HEATER (CHASSIS)
FTG01352	*	1	FITTING; ELECTRIC EXPAND VALVE
OLD00797	*	1	OVERLOAD; PROTECTOR, COMPRESSOR (EXTERNAL)
VAL19174	*	1	VALVE; EEV, ELECTRONIC EXPANSION VALVE ASSY (TUBE AND VALVE)
FTG01288	1	1	FITTING; DRAINAGE JOINT
CAP01252	2	1	CAP; DRAINAGE HOLE
BAS03163	3	1	BASE; CHASSIS, SUB-ASSY
GRL02234	4	1	GRILLE; FRONT OUTDOOR FAN
CAS02042	5	1	CASING; CABINET
FAN05385	6	1	FAN; AXIAL FLOW
MOT17620	7	1	MOTOR;
BRK04800	8	1	BRACKET; MOTOR SUPPORT ASSY
PLT05362	9	1	PLATE; CONDENSER SUPPORT
PNL36423	10	1	PANEL; TOP COVER
PNL29543	11	1	PANEL; LEFT SIDE PLATE
HDL01293	12	1	HANDLE;
CMP01443	13	1	CLAMP; WIRING
SEN01804	14	1	SENSOR; TEMPERATURE (INCLUDES; DISCHARGE TUBE SENSOR (50K), COIL TUBE SENSOR (20K) AND OUTDOOR AMBIENT SENSOR (15K))
GRL01948	15	1	GRILLE; REAR
COL28938	16	1	COIL; OUTDOOR CONDENSER COIL WITH ELECTRONIC EXPANSION VALVE
PNL36043	17	1	PANEL; CLAPBOARD, SUB-ASSY
COM13019	19	1	COMPRESSOR; FITTINGS
GKT04766	20	3	GASKET; COMPRESSOR
VAL19140	21	1	VALVE; 4-WAY ASSY
COL16754	22	1	COIL; SOLNOID REVERSING VALVE
TUB14812	23	1	TUBE; CAPILLARY SUB ASSEMBLY
PNL29409	24	1	PANEL; RIGHT SIDE PLATE
COV04874	25	1	COVER; VALVE
VAL09900	26	1	VALVE; CUT-OFF (GAS)
PNL29410	27	1	PANEL; LEFT SIDE PLATE
HDL01100	28	1	HANDLE; HANDLE ASSY(02113109)
PLT05367	29	1	PLATE; FRONT SIDE, SUB-ASSY
TRR02674	30	1	TRANSFORMER; REACTOR

23 SEER ODU ELECTRIC BOX ASSY
1.5 & 2.0 TON

75013019

REV
A



All orderable Service Parts are identified for this product.

Parts that are not identified, will not be available to order.

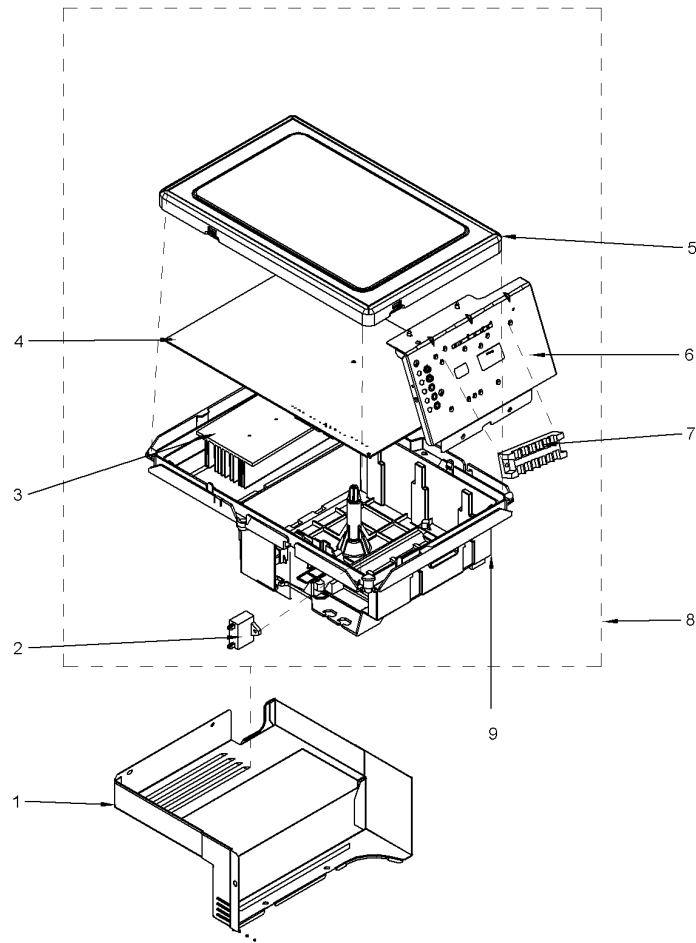
This is a typical illustration. The unit in the field may not appear exactly as shown.

Part No.	Reference No.	Quantity	Description
75013019_4MXW2UP1_321652~ P	*		1.5 & 2 TON ODU ELECTRIC BOX ASSY PARTS LIST

23 SEER ODU ELECTRIC BOX ASSY
1.5 & 2.0 TON

75013019

REV
A



All orderable Service Parts are identified for this product.

Parts that are not identified, will not be available to order.

This is a typical illustration. The unit in the field may not appear exactly as shown.

Parts List Number :4MXW2UP1#4MXW2UP1

Model Number :4TXK2324A10N0AA

Part No.	Reference No.	Quantity	Description
BOX02885	1	1	BOX; ELECTRIC
EXC02587	3	1	EXCHANGER; RADIATOR
BRD06870	4	1	BOARD; MAIN
BLK01706	7	1	BLOCK; HIGH VOLTAGE ELECTRICAL TERMINAL CONNECTOR
BOX03842	8	1	BOX; ENCLOSURE INCLUDES MAIN BOARD, COVER, HEAT SINK, CAPACITOR AND TERMINAL STRIP