

<b>Part No.</b>	<b>Reference No.</b>	<b>Quantity</b>	<b>Description</b>
75013024#4MXW2UP1~S	*		1.5 TON ODU GENERAL ASSY
4MXW2UP1_4MXW2UP1_268254~P	*		4MXW2UP1 PARTS LIST
75013019#4MXW2UP1~S	*		1.5 & 2 TON ODU ELECTRIC BOX ASSY
75013028#4MXW2UP1~S	*		OUTDOOR MODEL NOMENCLATURE

NO GRAPHIC AVAILABLE

75013702

REV  
A

**NO  
GRAPHIC  
AVAILABLE**

MODEL NUMBER DESCRIPTION  
OUTDOOR 23 SEER HP INVERTER HIGH WALL

75013028

REV.  
A

*Example Model Number:*  
**4TXK2312A10N0AA**  
1 - - - 5 - - - 10 - - - 15

**Digits 1 – Refrigerant**  
4 = R-410A

**Digits 2 – Brand**  
T = Outdoor Unit

**Digits 3 – Functional Type**  
X = Heat Pump Inverter  
Y = Cooling Only Inverter

**Digits 4 – Configuration Outdoor Unit**  
K = Single Refrigerant Port

**Digits 5, 6 – Efficiency Tier**  
23 = 23 SEER Series

**Digits 7, 8 – Nominal Capacity (Btu/h x 1,000)**  
09 = 9,000 Btu/h  
12 = 12,000 Btu/h  
18 = 18,000 Btu/h  
24 = 24,000 Btu/h  
30 = 30,000 Btu/h  
36 = 36,000 Btu/h

**Digits 9 – Major Development Sequence**  
A = First Development Sequence

**Digits 10 – Electric Power Supply Characteristics**  
1 = 208-230/60/1

**Digits 11 – Refrigerant Ports**  
0 = Mini-Split Systems

**Digits 12 – Regional Markets Served (1:1 Systems)**  
N = North America Market

**Digits 13 – Reserved for Future Use**  
0 = Not Currently Used

**Digits 14 – Minor Design Sequence**  
A = First Design Sequence

**Digits 15 – Service Digit**  
A = First Sequence

Part No.	Reference No.	Quantity	Description
75013028_4MXW2UP1_268257~ P	*		OUTDOOR MODEL NOMENCLATURE PARTS LIST

MODEL NUMBER DESCRIPTION  
OUTDOOR 23 SEER HP INVERTER HIGH WALL

75013028

REV.  
A

*Example Model Number:*  
**4TXK2312A10N0AA**  
1 - - - 5 - - - 10 - - - 15

**Digits 1 – Refrigerant**

4 = R-410A

**Digits 2 – Brand**

T = Outdoor Unit

**Digits 3 – Functional Type**

X = Heat Pump Inverter  
Y = Cooling Only Inverter

**Digits 4 – Configuration Outdoor Unit**

K = Single Refrigerant Port

**Digits 5, 6 – Efficiency Tier**

23 = 23 SEER Series

**Digits 7, 8 – Nominal Capacity (Btu/h x 1,000)**

09 = 9,000 Btu/h  
12 = 12,000 Btu/h  
18 = 18,000 Btu/h  
24 = 24,000 Btu/h  
30 = 30,000 Btu/h  
36 = 36,000 Btu/h

**Digits 9 – Major Development Sequence**

A = First Development Sequence

**Digits 10 – Electric Power Supply Characteristics**

1 = 208-230/60/1

**Digits 11 – Refrigerant Ports**

0 = Mini-Split Systems

**Digits 12 – Regional Markets Served (1:1 Systems)**

N = North America Market

**Digits 13 – Reserved for Future Use**

0 = Not Currently Used

**Digits 14 – Minor Design Sequence**

A = First Design Sequence

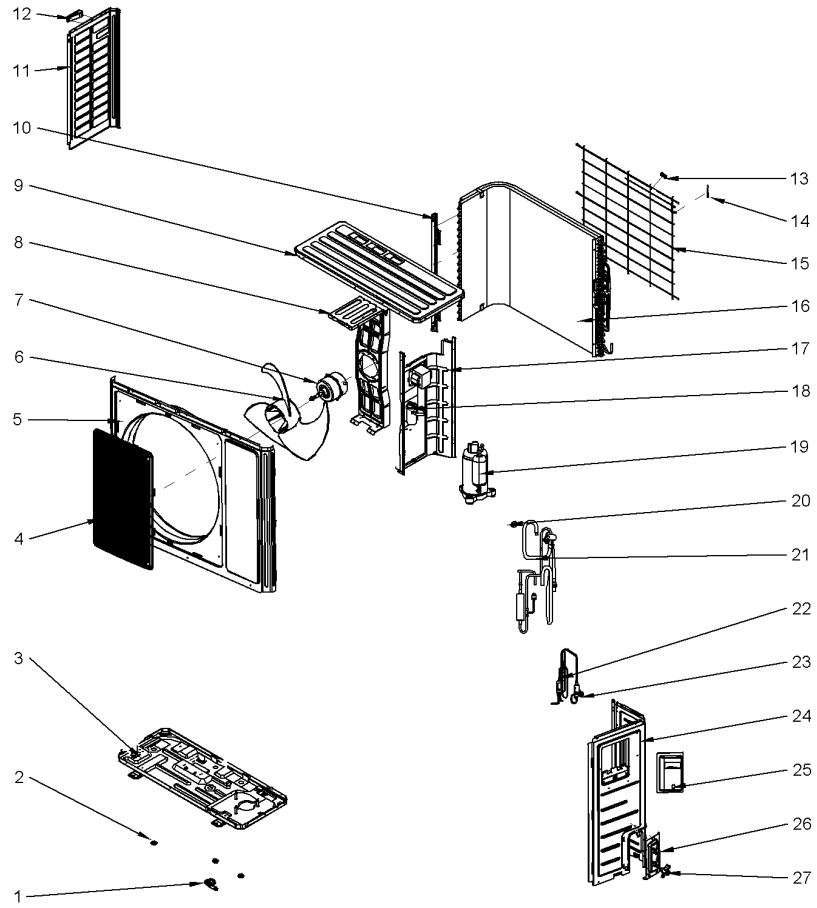
**Digits 15 – Service Digit**

A = First Sequence

23 SEER ODU GENERAL ASSY  
1.5 TON

75013024

REV.  
A



All orderable Service Parts are identified for this product.

Parts that are not identified, will not be available to order.

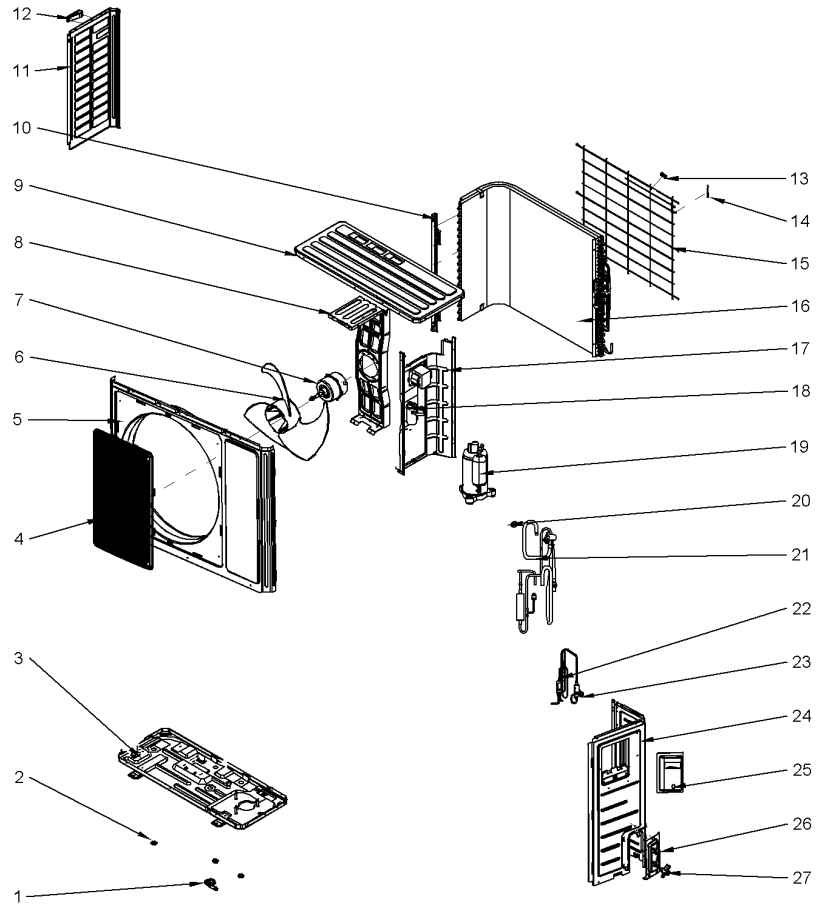
This is a typical illustration. The unit in the field may not appear exactly as shown.

Part No.	Reference No.	Quantity	Description
75013024_4MXW2UP1_357260~ P	*		1.5 TON ODU GENERAL ASSY PARTS LIST

23 SEER ODU GENERAL ASSY  
1.5 TON

75013024

REV.  
A



All orderable Service Parts are identified for this product.

Parts that are not identified, will not be available to order.

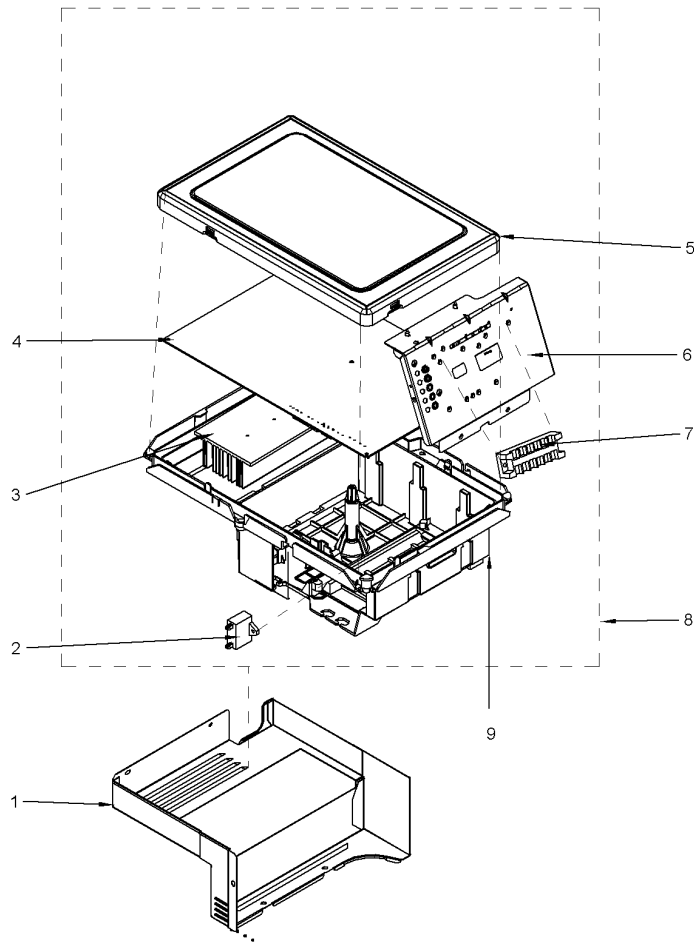
This is a typical illustration. The unit in the field may not appear exactly as shown.

Part No.	Reference No.	Quantity	Description
CAP01253	*	1	CAP; DRAINAGE HOLE
CAP01329	*	1	CAP; DRAINAGE HOLE
COV04872	*	1	COVER; VALVE COVER
ELM09214	*	1	ELEMENT; ELECTRICAL HEATER (CHASSIS)
FTG01444	*	1	FITTING; ELECTRONIC EXPANSION VALVE ASSY
GKT04751	*	3	GASKET; COMPRESSOR
OLD00797	*	1	OVERLOAD; PROTECTOR, COMPRESSOR (EXTERNAL)
RNG02311	*	1	RING; MAGNETIC
VAL19175	*	1	VALVE; ELECTRIC EXPANSION SUB-ASSY
FTG01288	1	1	FITTING; DRAINAGE JOINT
CAP01252	2	1	CAP; DRAINAGE HOLE
BAS03160	3	1	BASE;
GRL02218	4	1	GRILLE; FRONT OUTDOOR FAN
PNL36422	5	1	PANEL; FRONT ASSEMBLY
FAN04378	6	1	FAN; AXIAL FLOW
MOT14615	7	1	MOTOR; BRUSHLESS DC FAN, 60W, 370V
SUP06461	8	1	SUPPORT; VALVE ASSY, EEV CUTOFF VALVE
COV05307	9	1	COVER; TOP
SUP06353	10	1	SUPPORT; CONDENSER PLATE
PNL29955	11	1	PANEL; FRONT SIDE
HDL01100	12	1	HANDLE; HANDLE ASSY( 02113109)
SEN02666	14	1	SENSOR; TEMPERATURE
GRL02212	15	1	GRILLE; FRONT GRILL
COL28937	16	1	COIL; OUTDOOR CONDENSER COIL WITH ELECTRONIC EXPANSION VALVE
PNL36045	17	1	PANEL; FRONT
COM11893	19	1	COMPRESSOR; AND FITTINGS
VAL10709	20	1	VALVE; 4-WAY
VAL19135	21	1	VALVE; 4-WAY ASSY
TUB14812	22	1	TUBE; CAPILLARY SUB ASSEMBLY
VAL09362	23	1	VALVE; CUT-OFF LIQUID
PNL36041	24	1	PANEL; ACCESS, TBUE, B CAB
HDL01293	25	1	HANDLE;
SUP06352	26	1	SUPPORT; VALVE, SUPPORT
VAL11943	27	1	VALVE; CUT OFF

23 SEER ODU ELECTRIC BOX ASSY  
1.5 & 2.0 TON

75013019

REV  
A



All orderable Service Parts are identified for this product.

Parts that are not identified, will not be available to order.

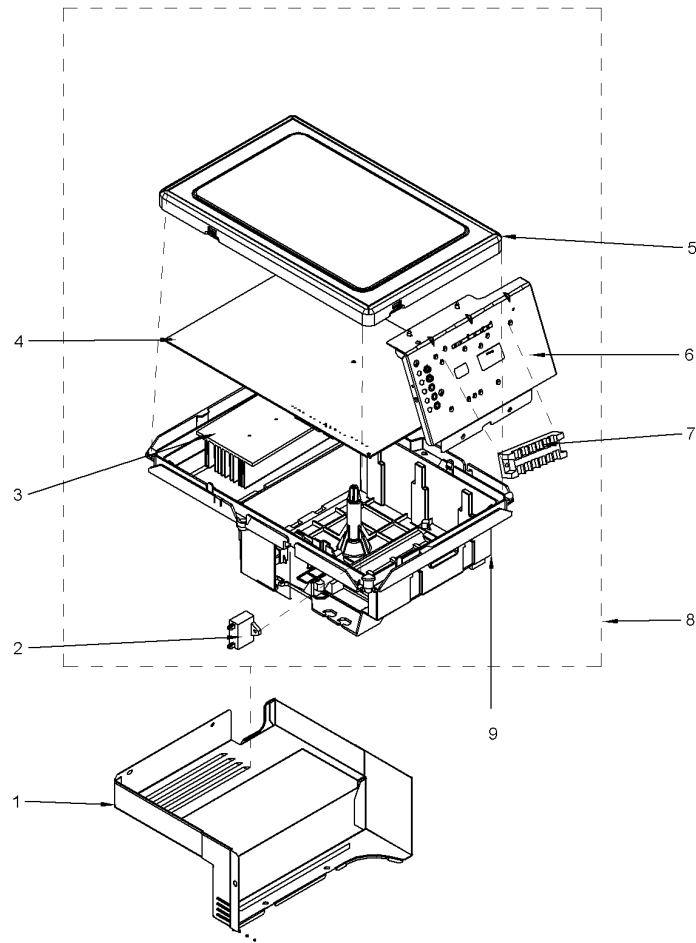
This is a typical illustration. The unit in the field may not appear exactly as shown.

Part No.	Reference No.	Quantity	Description
75013019_4MXW2UP1_357259~ P	*		1.5 & 2 TON ODU ELECTRIC BOX ASSY PARTS LIST

23 SEER ODU ELECTRIC BOX ASSY  
1.5 & 2.0 TON

75013019

REV  
A



All orderable Service Parts are identified for this product.

Parts that are not identified, will not be available to order.

This is a typical illustration. The unit in the field may not appear exactly as shown.

Parts List Number :4MXW2UP1#4MXW2UP1

Model Number :4TXK2318A10N0AA

<b>Part No.</b>	<b>Reference No.</b>	<b>Quantity</b>	<b>Description</b>
BOX03722	1	1	BOX; ELECTRIC
EXC02874	3	1	EXCHANGER; RADIATOR, HEAT SINK
BRD06872	4	1	BOARD; MAIN
COV04873	5	1	COVER; ELECTRIC BOX
BLK01706	7	1	BLOCK; HIGH VOLTAGE ELECTRICAL TERMINAL CONNECTOR
BOX03841	8	1	BOX; ENCLOSURE INCLUDES MAIN BOARD, COVER, HEAT SINK AND TERMINAL STRIP
BOX03722	9	1	BOX; ELECTRIC