

Part No.	Reference No.	Quantity	Description
75013023#4MXW2UP1~S	*		1 TON ODU GENERAL ASSY
4MXW2UP1_4MXW2UP1_268254~P	*		4MXW2UP1 PARTS LIST
75013021#4MXW2UP1~S	*		1 TON ODU ELECTRIC BOX ASSY
75013028#4MXW2UP1~S	*		OUTDOOR MODEL NOMENCLATURE

NO GRAPHIC AVAILABLE

75013702

REV
A

**NO
GRAPHIC
AVAILABLE**

MODEL NUMBER DESCRIPTION
OUTDOOR 23 SEER HP INVERTER HIGH WALL

75013028

REV.
A

Example Model Number:
4TXK2312A10N0AA
1 - - - 5 - - - 10 - - - 15

Digits 1 – Refrigerant

4 = R-410A

Digits 2 – Brand

T = Outdoor Unit

Digits 3 – Functional Type

X = Heat Pump Inverter
Y = Cooling Only Inverter

Digits 4 – Configuration Outdoor Unit

K = Single Refrigerant Port

Digits 5, 6 – Efficiency Tier

23 = 23 SEER Series

Digits 7, 8 – Nominal Capacity (Btu/h x 1,000)

09 = 9,000 Btu/h
12 = 12,000 Btu/h
18 = 18,000 Btu/h
24 = 24,000 Btu/h
30 = 30,000 Btu/h
36 = 36,000 Btu/h

Digits 9 – Major Development Sequence

A = First Development Sequence

Digits 10 – Electric Power Supply Characteristics

1 = 208-230/60/1

Digits 11 – Refrigerant Ports

0 = Mini-Split Systems

Digits 12 – Regional Markets Served (1:1 Systems)

N = North America Market

Digits 13 – Reserved for Future Use

0 = Not Currently Used

Digits 14 – Minor Design Sequence

A = First Design Sequence

Digits 15 – Service Digit

A = First Sequence

Part No.	Reference No.	Quantity	Description
75013028_4MXW2UP1_268257~ P	*		OUTDOOR MODEL NOMENCLATURE PARTS LIST

MODEL NUMBER DESCRIPTION
OUTDOOR 23 SEER HP INVERTER HIGH WALL

75013028

REV.
A

Example Model Number:
4TXK2312A10N0AA
1 - - - 5 - - - 10 - - - 15

Digits 1 – Refrigerant

4 = R-410A

Digits 2 – Brand

T = Outdoor Unit

Digits 3 – Functional Type

X = Heat Pump Inverter
Y = Cooling Only Inverter

Digits 4 – Configuration Outdoor Unit

K = Single Refrigerant Port

Digits 5, 6 – Efficiency Tier

23 = 23 SEER Series

Digits 7, 8 – Nominal Capacity (Btu/h x 1,000)

09 = 9,000 Btu/h
12 = 12,000 Btu/h
18 = 18,000 Btu/h
24 = 24,000 Btu/h
30 = 30,000 Btu/h
36 = 36,000 Btu/h

Digits 9 – Major Development Sequence

A = First Development Sequence

Digits 10 – Electric Power Supply Characteristics

1 = 208-230/60/1

Digits 11 – Refrigerant Ports

0 = Mini-Split Systems

Digits 12 – Regional Markets Served (1:1 Systems)

N = North America Market

Digits 13 – Reserved for Future Use

0 = Not Currently Used

Digits 14 – Minor Design Sequence

A = First Design Sequence

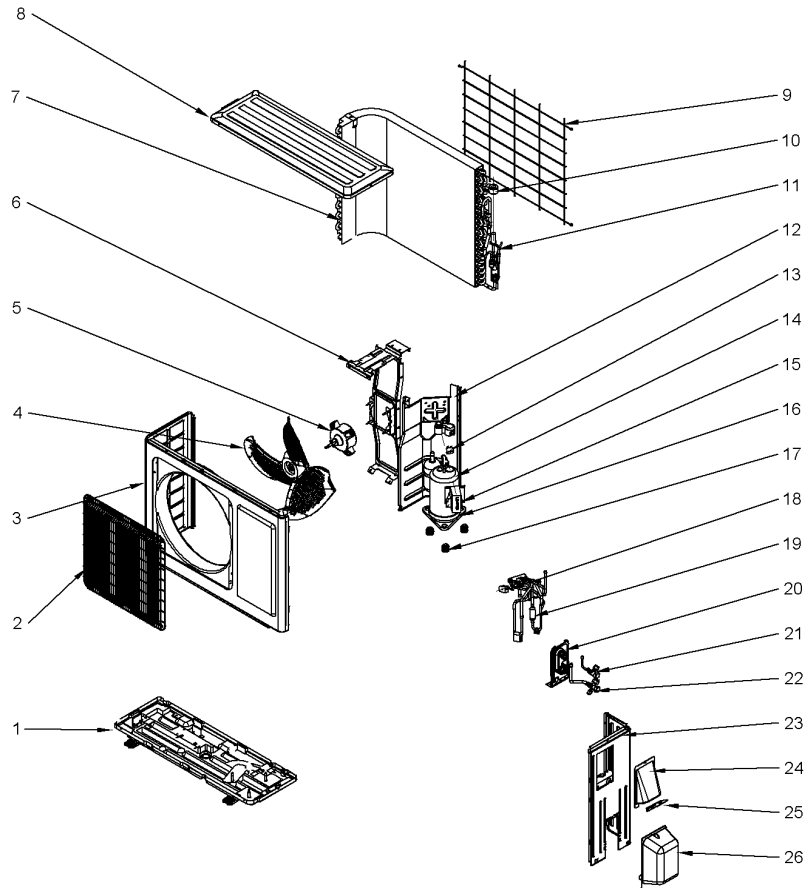
Digits 15 – Service Digit

A = First Sequence

23 SEER ODU GENERAL ASSY
1.0 TON

75013023

REV.
A



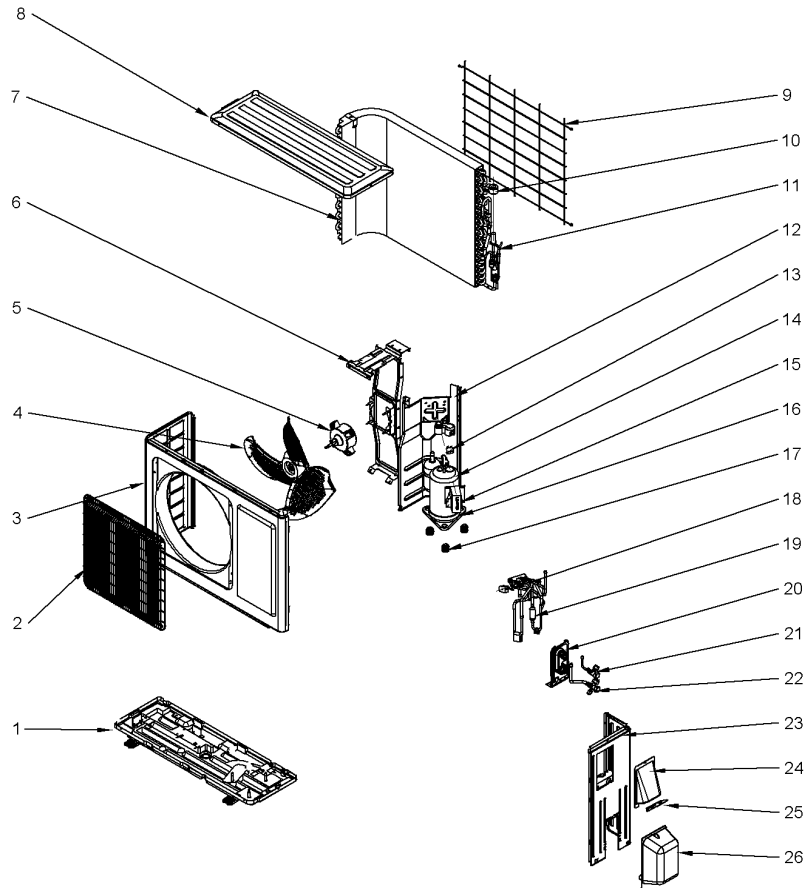
All orderable Service Parts are identified for this product.
Parts that are not identified, will not be available to order.
This is a typical illustration. The unit in the field may not appear exactly as shown.

Part No.	Reference No.	Quantity	Description
75013023_4MXW2UP1_401800~ P	*		1 TON ODU GENERAL ASSY PARTS LIST

23 SEER ODU GENERAL ASSY
1.0 TON

75013023

REV.
A



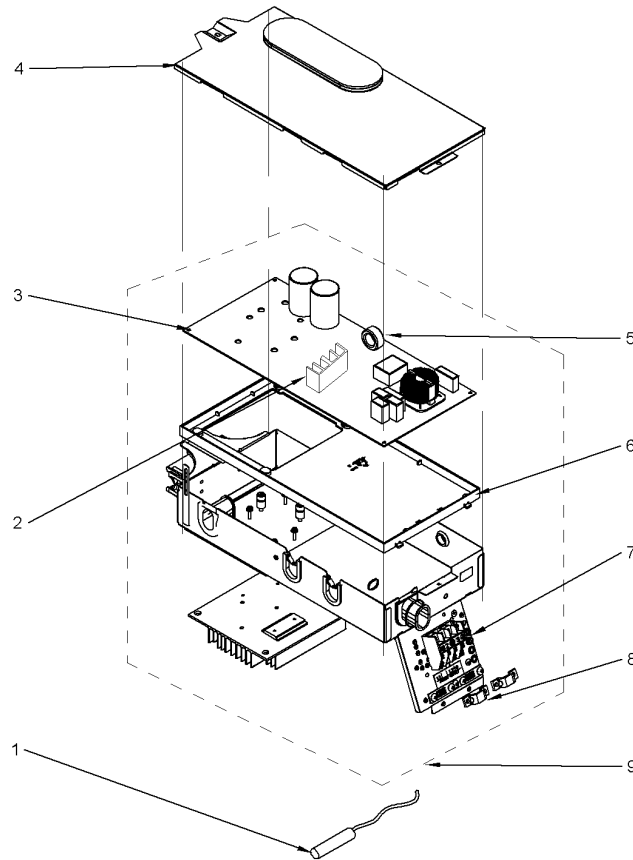
All orderable Service Parts are identified for this product.
Parts that are not identified, will not be available to order.
This is a typical illustration. The unit in the field may not appear exactly as shown.

Part No.	Reference No.	Quantity	Description
CAP01390	*	2	CAP; DRAINAGE HOLE
CAP01392	*	2	CAP; DRAINAGE HOLE
ELM09213	*	2	ELEMENT; ELECTRICAL HEATER (CHASSIS)
FTG01288	*	1	FITTING; DRAINAGE JOINT
MOT19179	*	1	MOTOR; ELECTRONIC EXPANSION VALVE STEPPER MOTOR
PNL36044	*	1	PANEL; PLATE, RIGHT SIDE SUB-ASSY
SLV00331	*	1	SLEEVE; TEMP SENSOR SLEEVING
SWT04286	*	1	SWITCH; COMPRESSOR OVER-TEMPERATURE LIMIT SWITCH
BAS03159	1	1	BASE; CHASSIS, SUB-ASSY
GRL01837	2	1	GRILL; FRONT
PNL32180	3	1	PANEL; FRONT
FAN05603	4	1	FAN; ASSEMBLY
MOT18476	5	1	MOTOR; FAN MOTOR
SUP06475	6	1	SUPPORT; MOTOR, SUPPORT SUB-ASSY
COL28936	7	1	COIL; OUTDOOR CONDENSER COIL
PLT06385	8	1	PLATE; TOP COVER
GRL02027	9	1	GRILL; REAR
VAL19139	11	1	VALVE; ELECTRIC EXPANSION SUB-ASSY
PNL36046	12	1	PANEL; MOUNTING - CIRCUIT BREAKER; OR DISCONNECT
RLY03775	13	1	RELAY; COMPRESSOR OVERLOAD PROTECTOR
COM12104	14	1	COMPRESSOR;
CNT06823	15	1	CONTROL; REACTOR
HTR12647	16	1	HEATER; ELECTRIC, COMPRESSOR
GKT04858	17	3	GASKET; COMPRESSOR
COL18462	18	1	COIL; MAGNET
VAL19138	19	1	VALVE; 4-WAY ASSY
SUP06052	20	1	SUPPORT; VALVE
VAL08943	21	1	VALVE; 1/4 LIQUID
VAL12611	22	1	VALVE; VAPOR SERVICE
PLT05257	23	1	PLATE; RIGHT SIDE
PLT05369	24	1	PLATE; TERMINAL COVER 2
PLT05368	25	1	PLATE; CABLE SUPPORT 1
COV05061	26	1	COVER; VALVE

23 SEER ODU ELECTRIC BOX ASSY
1.0 TON

75013021

REV.
A



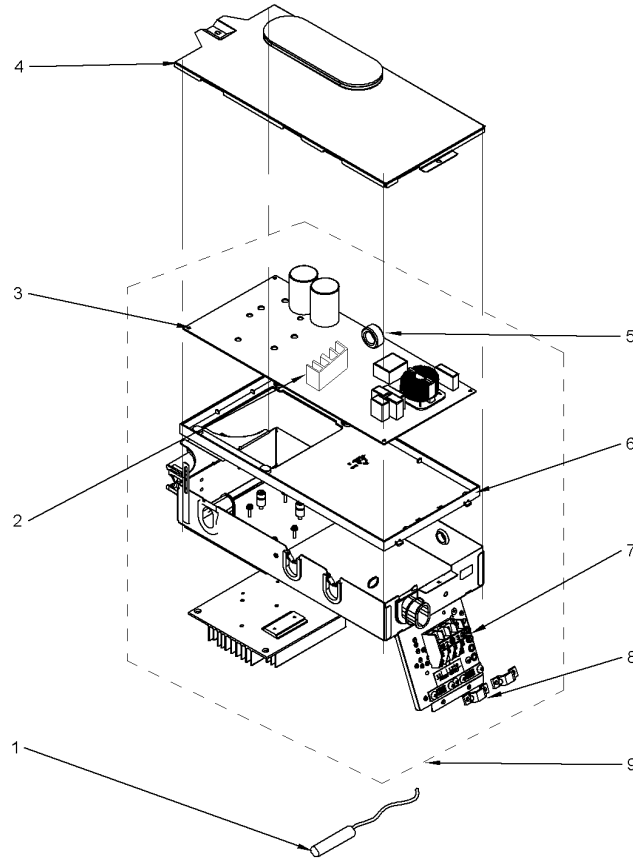
All orderable Service Parts are identified for this product.
Parts that are not identified, will not be available to order.
This is a typical illustration. The unit in the field may not appear exactly as shown.

Part No.	Reference No.	Quantity	Description
75013021_4MXW2UP1_401799~ P	*		1 TON ODU ELECTRIC BOX ASSY PARTS LIST

23 SEER ODU ELECTRIC BOX ASSY
1.0 TON

75013021

REV.
A



All orderable Service Parts are identified for this product.

Parts that are not identified, will not be available to order.

This is a typical illustration. The unit in the field may not appear exactly as shown.

Parts List Number :4MXW2UP1#4MXW2UP1

Model Number :4TXK2312A10N0AA

Part No.	Reference No.	Quantity	Description
SEN02043	1	1	SENSOR; TEMPERATURE
EXC02875	2	1	EXCHANGER; RADIATOR, HEAT SINK (SRX02D136)
BRD06871	3	1	BOARD; MAIN
COV04851	4	1	COVER; ELECTRIC BOX SUB-ASSY
RNG02200	5	1	RING; MAGNITIC
BOX02691	6	1	BOX; ELECTRIC, 1
BLK01705	7	1	BLOCK; HIGH VOLTAGE ELECTRICAL TERMINAL CONNECTOR
CMP01444	8	2	CLAMP; WIRE
BOX03723	9	1	BOX; ELECTRIC ASSY