

Part No.	Reference No.	Quantity	Description
75013022#4MXW2UP1~S	*		3/4 TON ODU GENERAL ASSY
4MXW2UP1_4MXW2UP1_268254~P	*		4MXW2UP1 PARTS LIST
75013018#4MXW2UP1~S	*		3/4 TON ODU ELECTRIC BOX ASSY
75013028#4MXW2UP1~S	*		OUTDOOR MODEL NOMENCLATURE

NO GRAPHIC AVAILABLE

75013702

REV
A

**NO
GRAPHIC
AVAILABLE**

MODEL NUMBER DESCRIPTION
OUTDOOR 23 SEER HP INVERTER HIGH WALL

75013028

REV.
A

Example Model Number:
4TXK2312A10N0AA
1 - - - 5 - - - 10 - - - 15

Digits 1 – Refrigerant

4 = R-410A

Digits 2 – Brand

T = Outdoor Unit

Digits 3 – Functional Type

X = Heat Pump Inverter
Y = Cooling Only Inverter

Digits 4 – Configuration Outdoor Unit

K = Single Refrigerant Port

Digits 5, 6 – Efficiency Tier

23 = 23 SEER Series

Digits 7, 8 – Nominal Capacity (Btu/h x 1,000)

09 = 9,000 Btu/h
12 = 12,000 Btu/h
18 = 18,000 Btu/h
24 = 24,000 Btu/h
30 = 30,000 Btu/h
36 = 36,000 Btu/h

Digits 9 – Major Development Sequence

A = First Development Sequence

Digits 10 – Electric Power Supply Characteristics

1 = 208-230/60/1

Digits 11 – Refrigerant Ports

0 = Mini-Split Systems

Digits 12 – Regional Markets Served (1:1 Systems)

N = North America Market

Digits 13 – Reserved for Future Use

0 = Not Currently Used

Digits 14 – Minor Design Sequence

A = First Design Sequence

Digits 15 – Service Digit

A = First Sequence

Part No.	Reference No.	Quantity	Description
75013028_4MXW2UP1_268257~ P	*		OUTDOOR MODEL NOMENCLATURE PARTS LIST

MODEL NUMBER DESCRIPTION
OUTDOOR 23 SEER HP INVERTER HIGH WALL

75013028

REV.
A

Example Model Number:
4TXK2312A10N0AA
1 - - - 5 - - - 10 - - - 15

Digits 1 – Refrigerant

4 = R-410A

Digits 2 – Brand

T = Outdoor Unit

Digits 3 – Functional Type

X = Heat Pump Inverter
Y = Cooling Only Inverter

Digits 4 – Configuration Outdoor Unit

K = Single Refrigerant Port

Digits 5, 6 – Efficiency Tier

23 = 23 SEER Series

Digits 7, 8 – Nominal Capacity (Btu/h x 1,000)

09 = 9,000 Btu/h
12 = 12,000 Btu/h
18 = 18,000 Btu/h
24 = 24,000 Btu/h
30 = 30,000 Btu/h
36 = 36,000 Btu/h

Digits 9 – Major Development Sequence

A = First Development Sequence

Digits 10 – Electric Power Supply Characteristics

1 = 208-230/60/1

Digits 11 – Refrigerant Ports

0 = Mini-Split Systems

Digits 12 – Regional Markets Served (1:1 Systems)

N = North America Market

Digits 13 – Reserved for Future Use

0 = Not Currently Used

Digits 14 – Minor Design Sequence

A = First Design Sequence

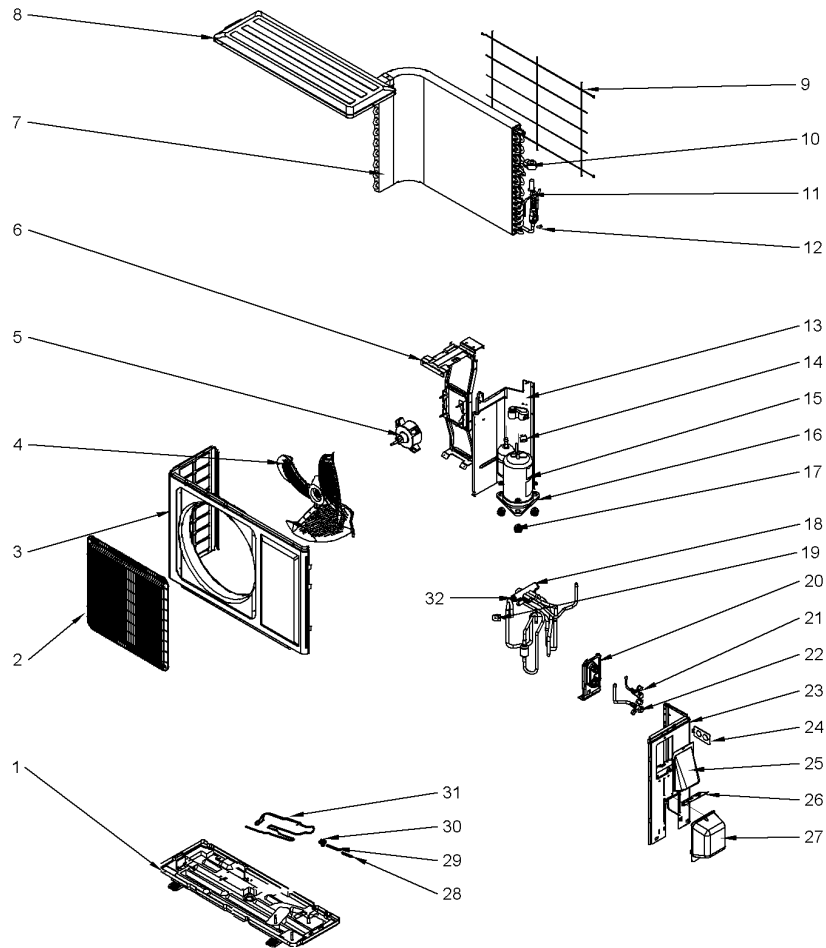
Digits 15 – Service Digit

A = First Sequence

23 SEER ODU GENERAL ASSY
3/4 TON

75013022

REV.
A



All orderable Service Parts are identified for this product.

Parts that are not identified, will not be available to order.

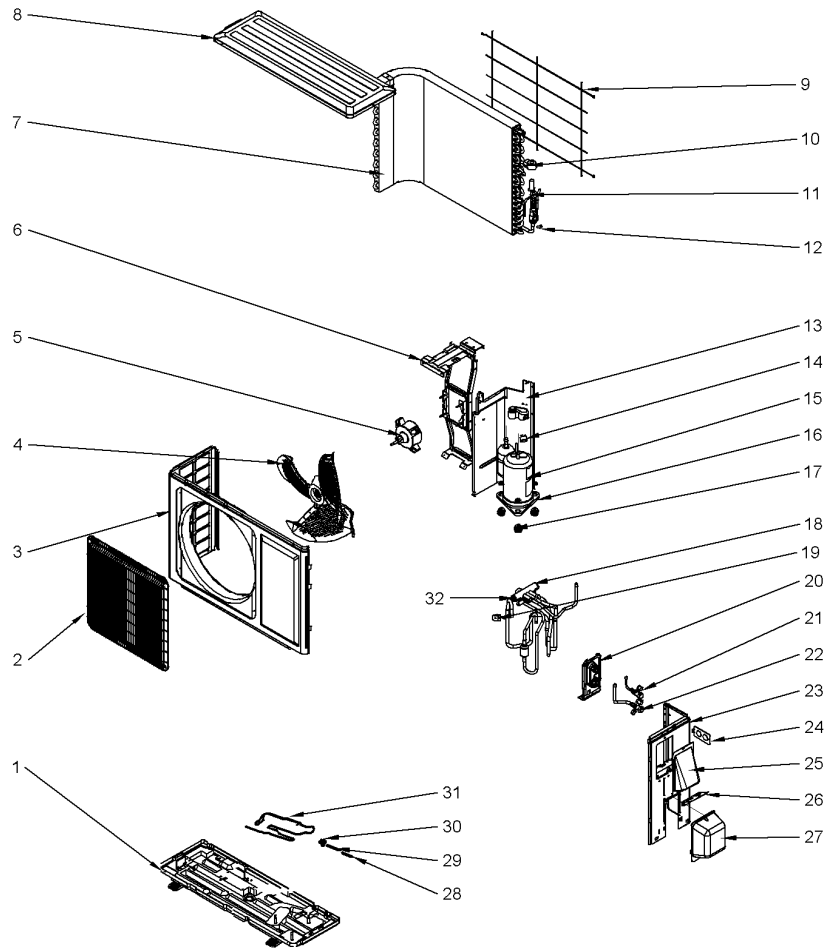
This is a typical illustration. The unit in the field may not appear exactly as shown.

Part No.	Reference No.	Quantity	Description
75013022_4MXW2UP1_268256~ P	*		3/4 TON ODU GENERAL ASSY PARTS LIST

23 SEER ODU GENERAL ASSY
3/4 TON

75013022

REV.
A



All orderable Service Parts are identified for this product.

Parts that are not identified, will not be available to order.

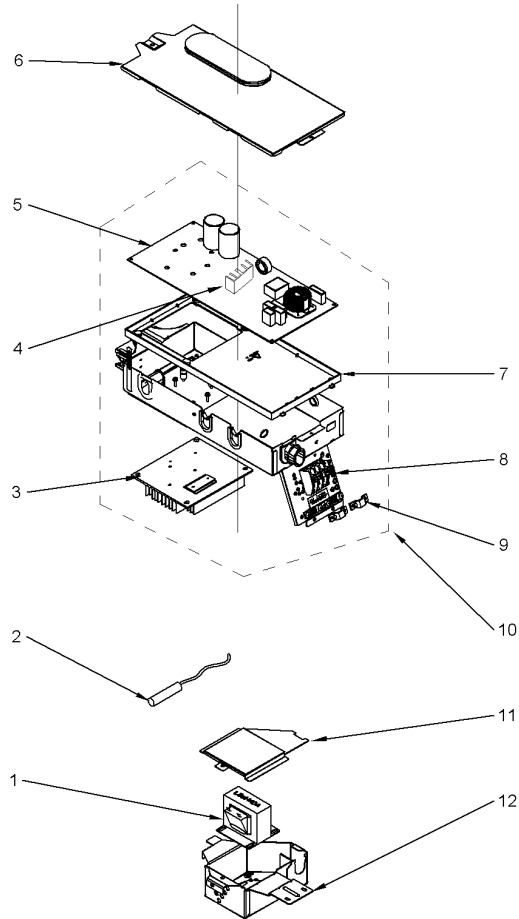
This is a typical illustration. The unit in the field may not appear exactly as shown.

Part No.	Reference No.	Quantity	Description
COV05600	*	1	COVER; TERMINAL COVER FOR TR150, FRAME SIZE H1
RNG02311	*	1	RING; MAGNETIC
SWT04286	*	1	SWITCH; COMPRESSOR OVER-TEMPERATURE LIMIT SWITCH
TUB15052	*	1	TUBE; DISCHARGE SUB-ASSY WITH HPCO SWITCH
TUB15053	*	1	TUBE; SUCTION
BAS03159	1	1	BASE; CHASSIS, SUB-ASSY
GRL01837	2	1	GRILL; FRONT
PNL33380	3	1	PANEL; FRONT
FAN05603	4	1	FAN; ASSEMBLY
MOT18476	5	1	MOTOR; FAN MOTOR
SUP06459	6	1	SUPPORT; MOTOR, SUPPORT SUB-ASSY
COL28935	7	1	COIL; OUTDOOR CONDENSER COIL WITH ELECTRONIC EXPANSION VALVE
PLT06385	8	1	PLATE; TOP COVER
GRL02026	9	1	GRILL; REAR
MOT19178	10	1	MOTOR; ELECTRONIC EXPANSION VALVE STEPPER MOTOR
VAL11606	11	1	VALVE; ELECTRIC EXPANSION SUB-ASSY
SLV00331	12	1	SLEEVE; TEMP SENSOR SLEEVING
PNL33377	13	1	PANEL;
RLY03775	14	1	RELAY; COMPRESSOR OVERLOAD PROTECTOR
COM12104	15	1	COMPRESSOR;
HTR12647	16	1	HEATER; ELECTRIC, COMPRESSOR
GKT04858	17	3	GASKET; COMPRESSOR
VAL19136	18	1	VALVE; REVERSING VALVE ASSEMBLY
COL18462	19	1	COIL; MAGNET
SUP06052	20	1	SUPPORT; VALVE
VAL08943	21	1	VALVE; 1/4 LIQUID
VAL10015	22	1	VALVE; 3/8 VAPOR
PNL36042	23	1	PANEL; MOUNTING, CIRCUIT BRK & DISCONNECT
PLT05368	24	1	PLATE; CABLE SUPPORT 1
PLT05369	25	1	PLATE; TERMINAL COVER 2
PLT05368	26	1	PLATE; CABLE SUPPORT 1
COV05063	27	1	COVER; VALVE
CAP01392	28	1	CAP; DRAINAGE HOLE
CAP01390	29	1	CAP; DRAINAGE HOLE
FTG01288	30	1	FITTING; DRAINAGE JOINT
ELM09213	31	1	ELEMENT; ELECTRICAL HEATER (CHASSIS)
VAL10709	32	1	VALVE; 4-WAY

23 SEER ODU ELECTRIC BOX ASSY
3/4 TON

75013018

REV
A



All orderable Service Parts are identified for this product.

Parts that are not identified, will not be available to order.

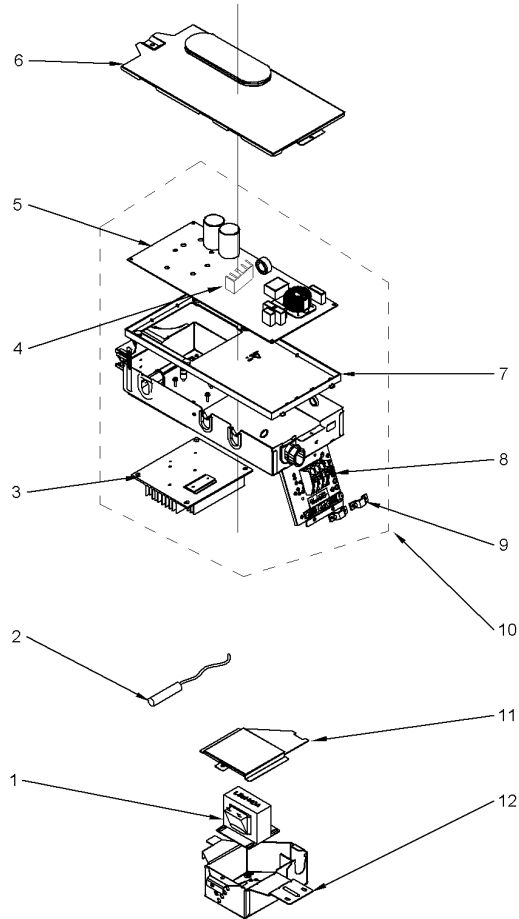
This is a typical illustration. The unit in the field may not appear exactly as shown.

Part No.	Reference No.	Quantity	Description
75013018_4MXW2UP1_268255~ P	*		3/4 TON ODU ELECTRIC BOX ASSY PARTS LIST

23 SEER ODU ELECTRIC BOX ASSY
3/4 TON

75013018

REV
A



All orderable Service Parts are identified for this product.

Parts that are not identified, will not be available to order.

This is a typical illustration. The unit in the field may not appear exactly as shown.

Parts List Number :4MXW2UP1#4MXW2UP1

Model Number :4TXK2309A10N0AA

Part No.	Reference No.	Quantity	Description
CNT06823	1	1	CONTROL; REACTOR
SEN02297	2	1	SENSOR; TEMPERATURE
EXC02875	4	1	EXCHANGER; RADIATOR, HEAT SINK (SRX02D136)
BRD06873	5	1	BOARD; MAIN
COV04851	6	1	COVER; ELECTRIC BOX SUB-ASSY
BOX02691	7	1	BOX; ELECTRIC, 1
BLK01705	8	1	BLOCK; HIGH VOLTAGE ELECTRICAL TERMINAL CONNECTOR
CMP01444	9	1	CLAMP; WIRE
BOX03724	10	1	BOX; ELECTRIC ASSY
COV05601	11	1	COVER; REACTOR BOX (HOUSING)
CNT07246	12	1	CONTROL; REACTOR ASSY