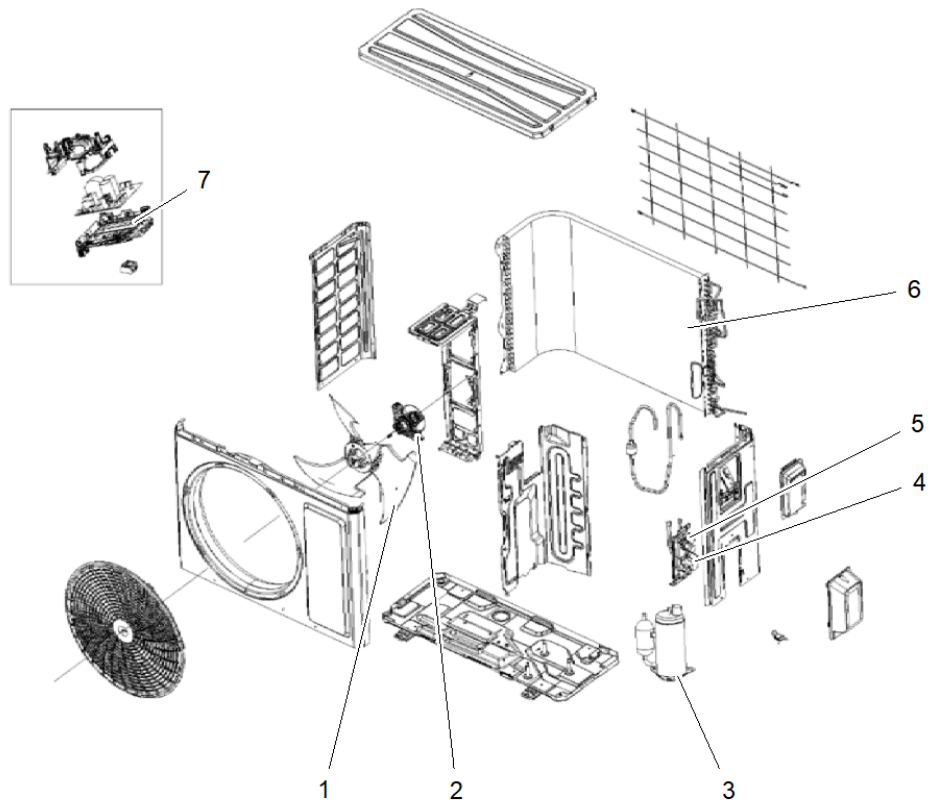


<b>Part No.</b>	<b>Reference No.</b>	<b>Quantity</b>	<b>Description</b>
0000157033~S	*		General Assembly 1
0000157032~S	*		Model Number Description

Part No.	Reference No.	Quantity	Description
0000030673~P	*		General Assembly 1



<b>Part No.</b>	<b>Reference No.</b>	<b>Quantity</b>	<b>Description</b>
FAN06584	1	1	FAN; AXIAL FLOW
MOT20618	2	1	MOTOR; BRUSHLESS DC
COM13822	3	1	COMPRESSOR;
VAL20434	4	1	VALVE; CUT OFF 1/2
VAL20430	5	1	VALVE; CUT OFF 1/4
CDS02705	6	1	CONDENSER; ASSEMBLY
BOX04480	7	1	BOX; ELECTRIC ASSY

Part No.	Reference No.	Quantity	Description
000030640~P	*		Model Number Description(Outdoor Unit)

**MODEL NUMBER DESCRIPTION**  
17/25 SEER MINI SPLIT LOMO OUTDOOR

75015158

REV  
A

*Example Model Number:*  
**4TXK1709A10N0AA**  
1 - - - 5 - - - 10 - - - 15

**Digits 1 – Refrigerant**  
4 = R-410A

**Digits 2 – Brand**  
T = Outdoor Unit

**Digits 3 – Functional Type**  
X = Heat Pump Inverter  
Y = Cooling Only Inverter

**Digits 4 – Configuration Outdoor Unit**  
K = Single Refrigerant Port

**Digits 5, 6 – Efficiency Tier**  
17 = 17 SEER Series  
25 = 25 SEER Series

**Digits 7, 8 – Nominal Capacity (Btu/h x 1,000)**  
09 = 9,000 Btu/h  
12 = 12,000 Btu/h  
18 = 18,000 Btu/h  
24 = 24,000 Btu/h  
30 = 30,000 Btu/h  
36 = 36,000 Btu/h

**Digits 9 – Major Development Sequence**  
A = First Development Sequence

**Digits 10 – Electric Power Supply Characteristics**  
1 = 208-230/60/1

**Digits 11 – Reserved for Future Use**  
0 = Not Currently Used

**Digits 12 – Regional Markets Served (1:1 Systems)**  
N = North America Market

**Digits 13 – Reserved for Future Use**  
0 = Not Currently Used

**Digits 14 – Minor Design Sequence**  
A = First Design Sequence

**Digits 15 – Service Digit**  
A = First Sequence

Model Number Description(Outdoor Unit)

Parts List Number :0000157031

Model Number :4TXK1718A10N0AA