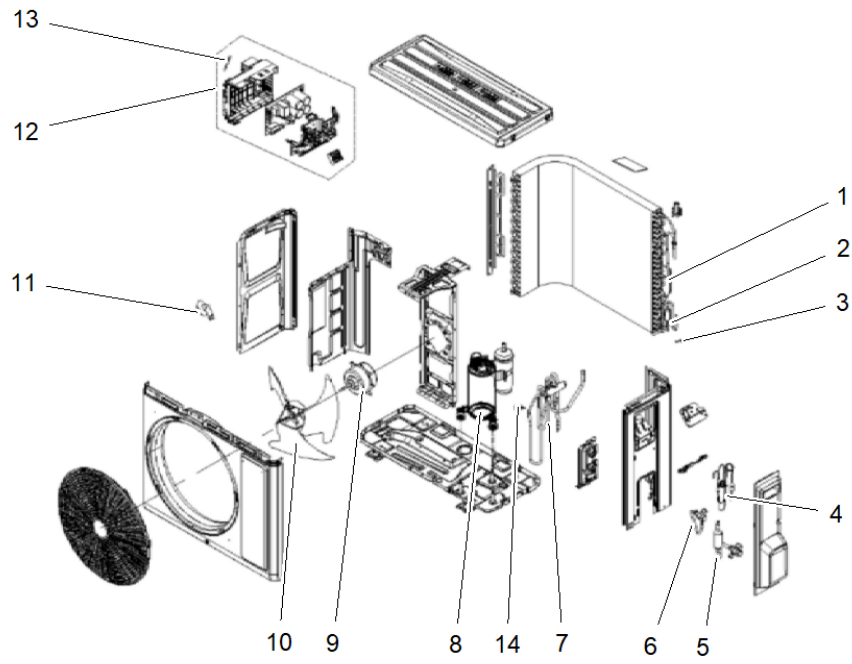


| <b>Part No.</b> | <b>Reference No.</b> | <b>Quantity</b> | <b>Description</b>       |
|-----------------|----------------------|-----------------|--------------------------|
| 0000157033~S    | *                    |                 | General Assembly 1       |
| 0000157032~S    | *                    |                 | Model Number Description |

| Part No.     | Reference No. | Quantity | Description        |
|--------------|---------------|----------|--------------------|
| 0000030670~P | *             |          | General Assembly 1 |



| <b>Part No.</b> | <b>Reference No.</b> | <b>Quantity</b> | <b>Description</b>                    |
|-----------------|----------------------|-----------------|---------------------------------------|
| CDS02698        | 1                    | 1               | CONDENSER; ASSEMBLY                   |
| SLV00331        | 2                    | 1               | SLEEVE; TEMP SENSOR SLEEVING          |
| IRT00060        | 3                    | 1               | INSERT; SENSOR                        |
| TUB15891        | 4                    | 1               | TUBE; CAPILLARY                       |
| VAL20428        | 5                    | 1               | VALVE; SHUT OFF                       |
| VAL20430        | 6                    | 1               | VALVE; CUT OFF 1/4                    |
| VAL20433        | 7                    | 1               | VALVE; FOUR WAY ASSEMBLY              |
| COM13817        | 8                    | 1               | COMPRESSOR;                           |
| MOT20618        | 9                    | 1               | MOTOR; BRUSHLESS DC                   |
| FAN06583        | 10                   | 1               | FAN; AXIAL FLOW                       |
| TUB15357        | 11                   | 1               | TUBO DE SUÇÇÃO Ø1.5/8" - CGAD 120/150 |
| CNT08783        | 12                   | 1               | CONTROL; ELECTRIC BOX ASSEMBLY        |
| SEN03118        | 13                   | 1               | SENSOR; TEMPERATURE                   |
| COL25839        | 14                   | 1               | COIL; HORIZ CLG ONLY                  |

| Part No.    | Reference No. | Quantity | Description                            |
|-------------|---------------|----------|--|
| 000030640~P | *             |          | Model Number Description(Outdoor Unit) |

MODEL NUMBER DESCRIPTION  
17/25 SEER MINI SPLIT LOMO OUTDOOR

75015158

REV  
A

*Example Model Number:*  
**4TXK1709A10N0AA**  
1 - - - 5 - - - 10 - - - 15

**Digits 1 – Refrigerant**  
4 = R-410A

**Digits 2 – Brand**  
T = Outdoor Unit

**Digits 3 – Functional Type**  
X = Heat Pump Inverter  
Y = Cooling Only Inverter

**Digits 4 – Configuration Outdoor Unit**  
K = Single Refrigerant Port

**Digits 5, 6 – Efficiency Tier**  
17 = 17 SEER Series  
25 = 25 SEER Series

**Digits 7, 8 – Nominal Capacity (Btu/h x 1,000)**  
09 = 9,000 Btu/h  
12 = 12,000 Btu/h  
18 = 18,000 Btu/h  
24 = 24,000 Btu/h  
30 = 30,000 Btu/h  
36 = 36,000 Btu/h

**Digits 9 – Major Development Sequence**  
A = First Development Sequence

**Digits 10 – Electric Power Supply Characteristics**  
1 = 208-230/60/1

**Digits 11 – Reserved for Future Use**  
0 = Not Currently Used

**Digits 12 – Regional Markets Served (1:1 Systems)**  
N = North America Market

**Digits 13 – Reserved for Future Use**  
0 = Not Currently Used

**Digits 14 – Minor Design Sequence**  
A = First Design Sequence

**Digits 15 – Service Digit**  
A = First Sequence

Model Number Description(Outdoor Unit)

Parts List Number :0000157031

Model Number :4TXK1712A10N0AA