

Part No.	Reference No.	Quantity	Description
4TXKUP1_4TXKUP1_185882~P	*		16 SEER MINI SPLIT LOMO OUTDOOR PARTS LIST
75011435#4TXKUP1~S	*		ASSY COMPRESSOR & VALVE PARTS
75011436#4TXKUP1~S	*		ASSY CONTROL PARTS
75011434#4TXKUP1~S	*		ASSY FAN & CONDENSER & PANEL PARTS
75011264#4TXKUP1~S	*		MODEL NUMBER DESCRIPTION

NO GRAPHIC AVAILABLE

75013702

REV
A

**NO
GRAPHIC
AVAILABLE**

MODEL NUMBER DESCRIPTION

75011264

REV.
A

16 SEER MINI SPLIT LOMO OUTDOOR

Example Model Number:
4TXK1612A10N0AA
1 - - - 5 - - - 10 - - - 15

Digits 1 – Refrigerant

4 = R-410A

Digits 2 – Brand

T = Outdoor Unit

Digits 3 – Functional Type

X = Heat Pump Inverter

Y = Cooling Only Inverter

Digits 4 – Configuration Outdoor Unit

K = Single Refrigerant Port

Digits 5, 6 – Efficiency Tier

16 = 16 SEER Series

Digits 7, 8 – Nominal Capacity (Btu/h x 1,000)

09 = 9,000 Btu/h

12 = 12,000 Btu/h

18 = 18,000 Btu/h

24 = 24,000 Btu/h

Digits 9 – Major Development Sequence

A = First Development Sequence

Digits 10 – Electric Power Supply Characteristics

1 = 208-230/60/1

Digits 11 – Reserved for Future Use

0 = Not Currently Used

Digits 12 – Regional Markets Served (1:1 Systems)

N = North America Market

Digits 13 – Reserved for Future Use

0 = Not Currently Used

Digits 14 – Minor Design Sequence

A = First Design Sequence

Digits 15 – Service Digit

A = First Sequence

Part No.	Reference No.	Quantity	Description
75011264_4TXKUP1_185884~P	*		MODEL NUMBER DESCRIPTION PARTS LIST

MODEL NUMBER DESCRIPTION

75011264

REV.
A

16 SEER MINI SPLIT LOMO OUTDOOR

Example Model Number:
4TXK1612A10N0AA
1 - - - 5 - - - 10 - - - 15

Digits 1 – Refrigerant

4 = R-410A

Digits 2 – Brand

T = Outdoor Unit

Digits 3 – Functional Type

X = Heat Pump Inverter
Y = Cooling Only Inverter

Digits 4 – Configuration Outdoor Unit

K = Single Refrigerant Port

Digits 5, 6 – Efficiency Tier

16 = 16 SEER Series

Digits 7, 8 – Nominal Capacity (Btu/h x 1,000)

09 = 9,000 Btu/h
12 = 12,000 Btu/h
18 = 18,000 Btu/h
24 = 24,000 Btu/h

Digits 9 – Major Development Sequence

A = First Development Sequence

Digits 10 – Electric Power Supply Characteristics

1 = 208-230/60/1

Digits 11 – Reserved for Future Use

0 = Not Currently Used

Digits 12 – Regional Markets Served (1:1 Systems)

N = North America Market

Digits 13 – Reserved for Future Use

0 = Not Currently Used

Digits 14 – Minor Design Sequence

A = First Design Sequence

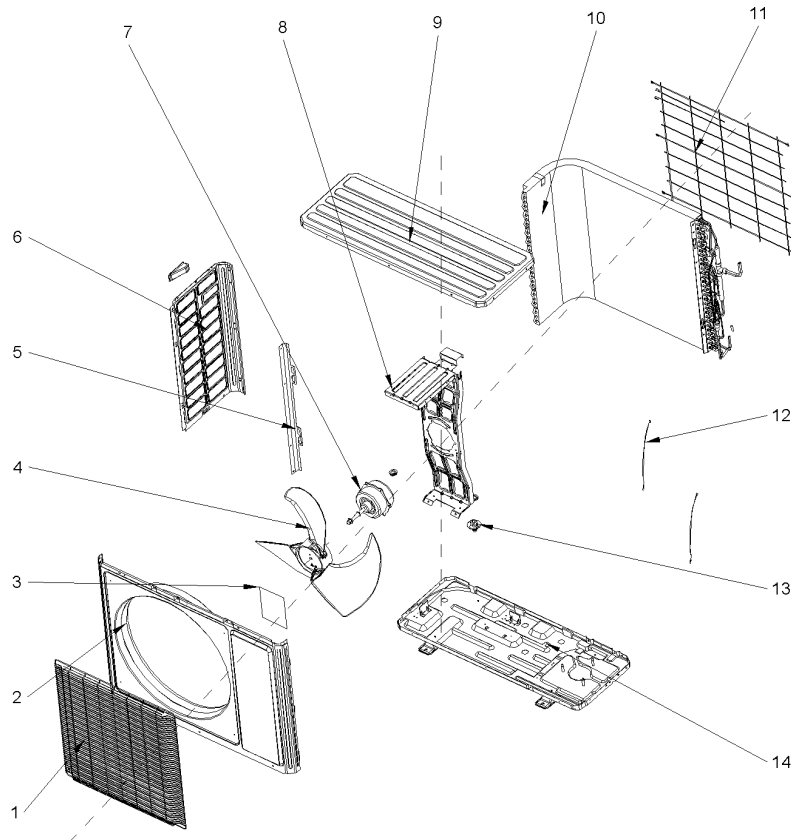
Digits 15 – Service Digit

A = First Sequence

OUTDOOR 16 SEER HEAT PUMP INVERTER
2.0 TON ASSY FAN & CONDENSER & PANEL PARTS

75011434

REV.
A



All orderable Service Parts are identified for this product.

Parts that are not identified, will not be available to order.

This is a typical illustration. The unit in the field may not appear exactly as shown.

Parts List Number :4TXKUP1#4TXKUP1

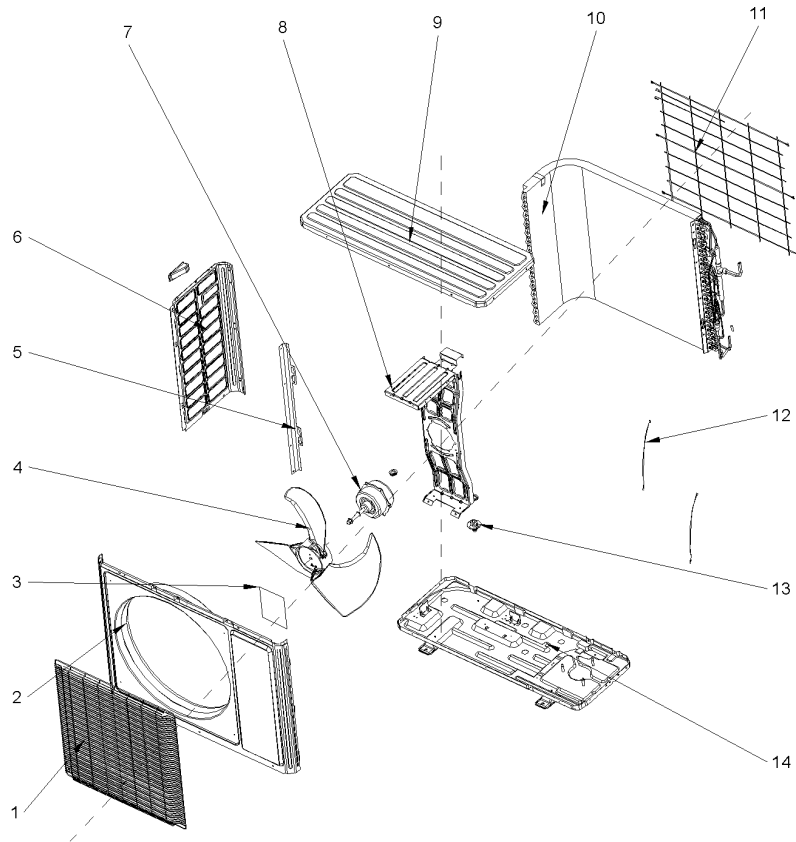
Model Number :4TXK1624A10N0AA

Part No.	Reference No.	Quantity	Description
75011434_4TXKUP1_354384~P	*		ASSY FAN & CONDENSER & PANEL PARTS

OUTDOOR 16 SEER HEAT PUMP INVERTER
2.0 TON ASSY FAN & CONDENSER & PANEL PARTS

75011434

REV.
A



All orderable Service Parts are identified for this product.

Parts that are not identified, will not be available to order.

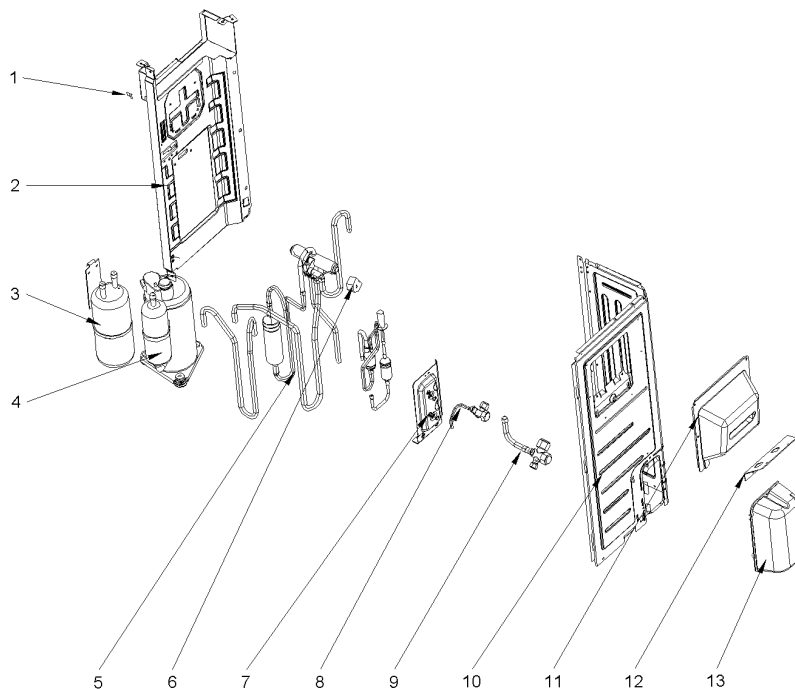
This is a typical illustration. The unit in the field may not appear exactly as shown.

Part No.	Reference No.	Quantity	Description
CAP01252	*	1	CAP; DRAINAGE HOLE
CAP01253	*	1	CAP; DRAINAGE HOLE
CAP01329	*	1	CAP; DRAINAGE HOLE
COV05147	*	1	COVER; ELECTRONICS TOP
HTR16106	*	1	HEATER;
PAI00420	*	1	PAINT; CUSTOM PAINT MATCH FOR MINI SPLIT
GRL01688	1	1	GRILLE; REAR GRILL
PNL32542	2	1	PANEL; FRONT PANEL ASSY
COV05101	3	1	COVER;ELECTRIC BOX
FAN04378	4	1	FAN; AXIAL FLOW
PLT05419	5	0	PLATE; CONDENSER SUPPORT
PNL29955	6	1	PANEL; FRONT SIDE
MOT14615	7	1	MOTOR; BRUSHLESS DC FAN, 60W, 370V
SUP05585	8	1	SUPPORT; MOTOR SUPPORT SUB-ASSY
COV04192	9	1	COVER; TOP COVER
COL27459	10	1	COIL; CONDENSER
GRL01689	11	1	GRILLE; FRONT GRILL
SEN01804	12	1	SENSOR; TEMPERATURE (INCLUDES; DISCHARGE TUBE SENSOR (50K), COIL TUBE SENSOR (20K) AND OUTDOOR AMBIENT SENSOR (15K))
FTG01288	13	1	FITTING; DRAINAGE JOINT
BAS02829	14	1	BASE; PAN

OUTDOOR 16 SEER HEAT PUMP INVERTER
2.0 TON ASSY COMPRESSOR & VALVE PARTS

75011435

REV.
A



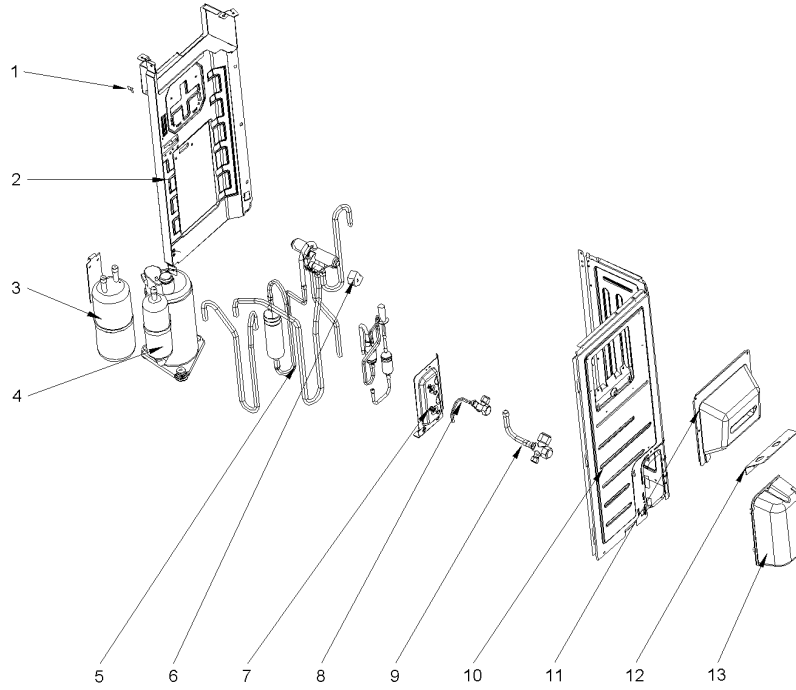
All orderable Service Parts are identified for this product.
Parts that are not identified, will not be available to order.
This is a typical illustration. The unit in the field may not appear exactly as shown.

Part No.	Reference No.	Quantity	Description
75011435_4TXKUP1_354386~P	*		ASSY COMPRESSOR & VALVE PARTS

OUTDOOR 16 SEER HEAT PUMP INVERTER
2.0 TON ASSY COMPRESSOR & VALVE PARTS

75011435

REV.
A



All orderable Service Parts are identified for this product.

Parts that are not identified, will not be available to order.

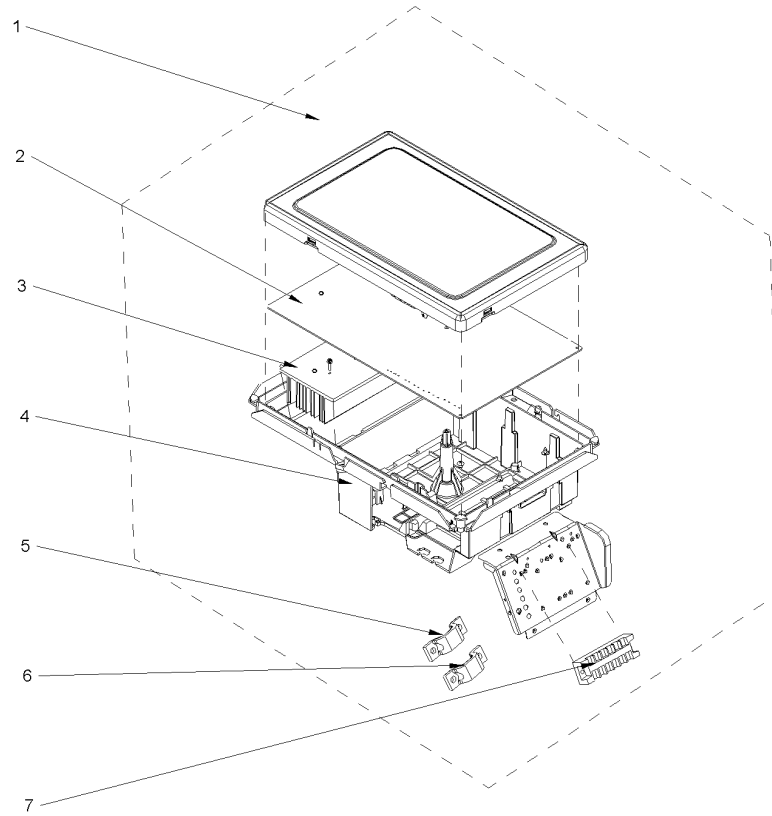
This is a typical illustration. The unit in the field may not appear exactly as shown.

Part No.	Reference No.	Quantity	Description
CMP01443	1	1	CLAMP; WIRING
PNL33722	2	1	PANEL; CONTROL BOX /AIR FLOW SEPARATOR
SEP00268	3	1	SEPERATOR; GAS-LIQUID
COM11893	4	1	COMPRESSOR; AND FITTINGS
VAL12324	5	1	VALVE; 4 WAY VALVE ASSEMBLY (INCLUDES TUBING)
COL16754	6	1	COIL; SOLNOID REVERSING VALVE
SUP06102	7	1	SUPPORT; 4 WAY VALVE ASSEMBLY
VAL09362	8	1	VALVE; CUT-OFF LIQUID
VAL09900	9	1	VALVE; CUT-OFF (GAS)
PLT05940	10	1	PLATE; RIGHT SIDE
HDL01293	11	1	HANDLE;
BLK01462	12	1	BLOCK;
COV04872	13	1	COVER; VALVE COVER

OUTDOOR 16 SEER MINI SPLIT LOMO
2.0 TON ASSY CONTROL PARTS

75011436

REV.
A



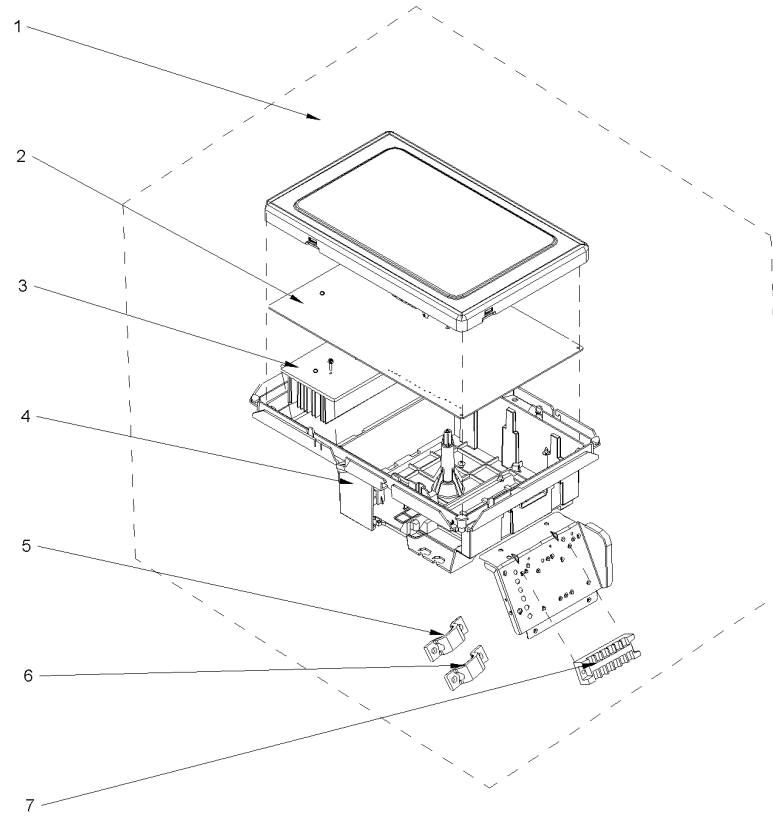
All orderable Service Parts are identified for this product.
Parts that are not identified, will not be available to order.
This is a typical illustration. The unit in the field may not appear exactly as shown.

Part No.	Reference No.	Quantity	Description
75011436_4TXKUP1_354388~P	*		ASSY CONTROL PARTS

OUTDOOR 16 SEER MINI SPLIT LOMO
2.0 TON ASSY CONTROL PARTS

75011436

REV.
A



All orderable Service Parts are identified for this product.
Parts that are not identified, will not be available to order.
This is a typical illustration. The unit in the field may not appear exactly as shown.

Part No.	Reference No.	Quantity	Description
BOX02959	1	1	BOX; MAIN PCB BOARD (CONTROL ASSEMBLY)
BRD05593	2	1	BOARD; MAIN PCB
EXC02410	3	1	EXCHANGER; HEAT SINK
BOX02922	4	1	BOX; ELECTRICAL
CMP01451	5	1	CLAMP; WIRE
CMP01444	6	1	CLAMP; WIRE
BRD03384	7	1	BOARD; TERMINAL