

<b>Part No.</b>	<b>Reference No.</b>	<b>Quantity</b>	<b>Description</b>
4TXKUP1_4TXKUP1_185882~P	*		16 SEER MINI SPLIT LOMO OUTDOOR PARTS LIST
75011368#4TXKUP1~S	*		ASSY CONTROL PARTS
75011367#4TXKUP1~S	*		ASSY GENERAL PARTS
75011264#4TXKUP1~S	*		MODEL NUMBER DESCRIPTION

NO GRAPHIC AVAILABLE

75013702

REV  
A

**NO  
GRAPHIC  
AVAILABLE**

MODEL NUMBER DESCRIPTION

75011264

REV.  
A

16 SEER MINI SPLIT LOMO OUTDOOR

*Example Model Number:*  
**4TXK1612A10N0AA**  
1 - - - 5 - - - 10 - - - 15

**Digits 1 – Refrigerant**

4 = R-410A

**Digits 2 – Brand**

T = Outdoor Unit

**Digits 3 – Functional Type**

X = Heat Pump Inverter

Y = Cooling Only Inverter

**Digits 4 – Configuration Outdoor Unit**

K = Single Refrigerant Port

**Digits 5, 6 – Efficiency Tier**

16 = 16 SEER Series

**Digits 7, 8 – Nominal Capacity (Btu/h x 1,000)**

09 = 9,000 Btu/h

12 = 12,000 Btu/h

18 = 18,000 Btu/h

24 = 24,000 Btu/h

**Digits 9 – Major Development Sequence**

A = First Development Sequence

**Digits 10 – Electric Power Supply Characteristics**

1 = 208-230/60/1

**Digits 11 – Reserved for Future Use**

0 = Not Currently Used

**Digits 12 – Regional Markets Served (1:1 Systems)**

N = North America Market

**Digits 13 – Reserved for Future Use**

0 = Not Currently Used

**Digits 14 – Minor Design Sequence**

A = First Design Sequence

**Digits 15 – Service Digit**

A = First Sequence

Part No.	Reference No.	Quantity	Description
75011264_4TXKUP1_185884~P	*		MODEL NUMBER DESCRIPTION PARTS LIST

MODEL NUMBER DESCRIPTION

75011264

REV.  
A

16 SEER MINI SPLIT LOMO OUTDOOR

*Example Model Number:*  
**4TXK1612A10N0AA**  
1 - - - 5 - - - 10 - - - 15

**Digits 1 – Refrigerant**

4 = R-410A

**Digits 2 – Brand**

T = Outdoor Unit

**Digits 3 – Functional Type**

X = Heat Pump Inverter  
Y = Cooling Only Inverter

**Digits 4 – Configuration Outdoor Unit**

K = Single Refrigerant Port

**Digits 5, 6 – Efficiency Tier**

16 = 16 SEER Series

**Digits 7, 8 – Nominal Capacity (Btu/h x 1,000)**

09 = 9,000 Btu/h  
12 = 12,000 Btu/h  
18 = 18,000 Btu/h  
24 = 24,000 Btu/h

**Digits 9 – Major Development Sequence**

A = First Development Sequence

**Digits 10 – Electric Power Supply Characteristics**

1 = 208-230/60/1

**Digits 11 – Reserved for Future Use**

0 = Not Currently Used

**Digits 12 – Regional Markets Served (1:1 Systems)**

N = North America Market

**Digits 13 – Reserved for Future Use**

0 = Not Currently Used

**Digits 14 – Minor Design Sequence**

A = First Design Sequence

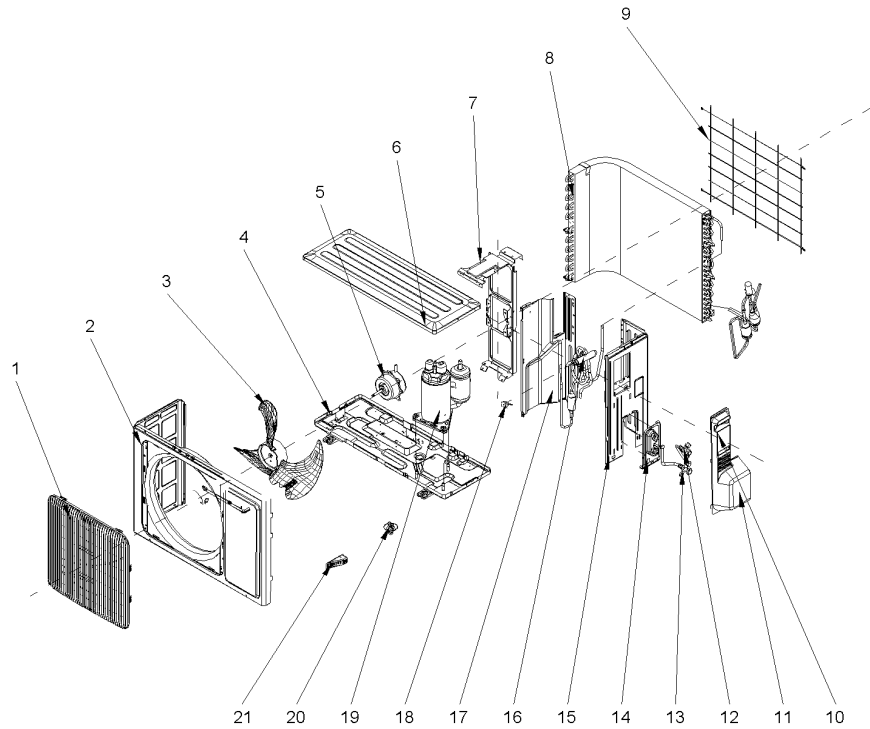
**Digits 15 – Service Digit**

A = First Sequence

OUTDOOR 16 SEER HEAT PUMP INVERTER  
1.0 TON ASSY GENERAL PARTS

75011367

REV.  
A



All orderable Service Parts are identified for this product.

Parts that are not identified, will not be available to order.

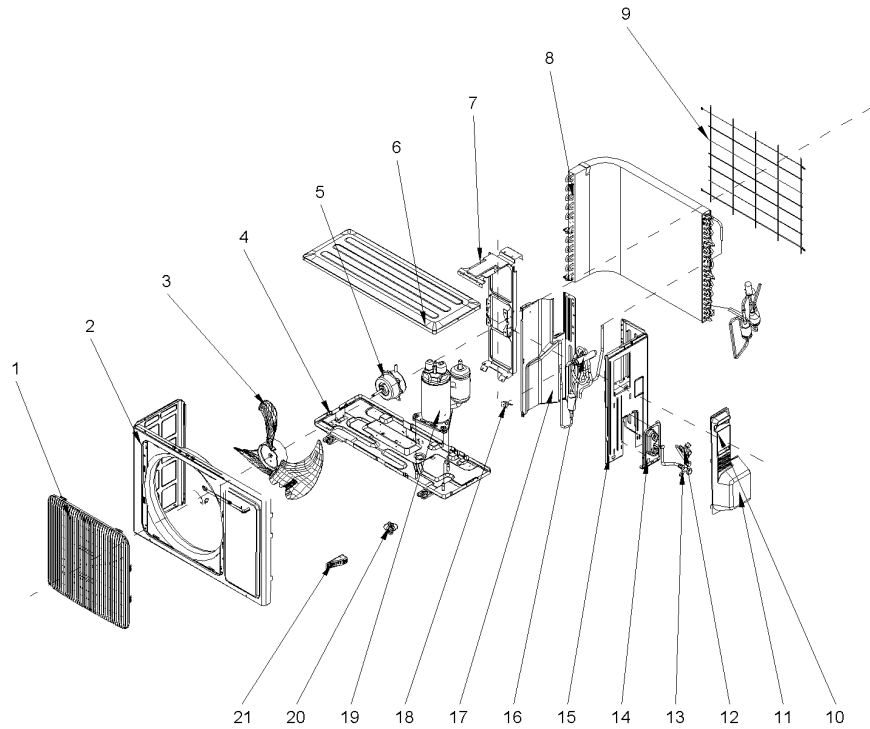
This is a typical illustration. The unit in the field may not appear exactly as shown.

Part No.	Reference No.	Quantity	Description
75011367_4TXKUP1_185886~P	*		ASSY GENERAL PARTS

OUTDOOR 16 SEER HEAT PUMP INVERTER  
1.0 TON ASSY GENERAL PARTS

75011367

REV.  
A



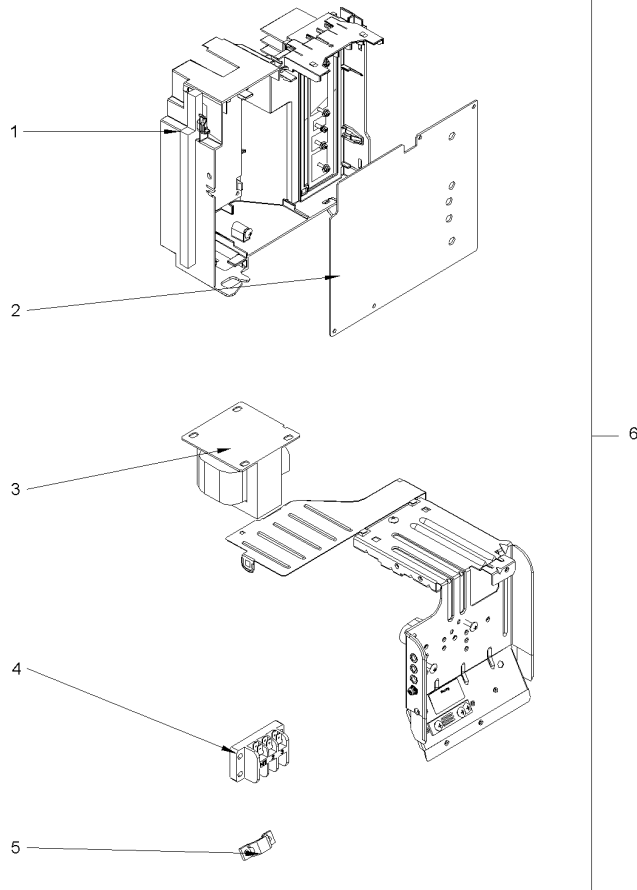
All orderable Service Parts are identified for this product.  
Parts that are not identified, will not be available to order.  
This is a typical illustration. The unit in the field may not appear exactly as shown.

Part No.	Reference No.	Quantity	Description
ELM09213	*	1	ELEMENT; ELECTRICAL HEATER (CHASSIS)
PAI00420	*	1	PAINT; CUSTOM PAINT MATCH FOR MINI SPLIT
GRL01837	1	1	GRILL; FRONT
PNL33563	2	1	PANEL; FRONT ASSEMBLY
FAN05603	3	1	FAN; ASSEMBLY
BAS02822	4	1	BASE; PAN
MOT17355	5	1	MOTOR; FAN
COV05098	6	1	COVER; TOP ASSEMBLY
SUP06146	7	1	SUPPORT; MOTOR
COL27458	8	1	COIL; CONDENSER
GRL02046	9	1	GRILL; REAR
PLT05369	10	1	PLATE; TERMINAL COVER 2
COV05063	11	1	COVER; VALVE
VAL12321	12	1	VALVE; CUT-OFF
VAL09988	13	1	VALVE; CUT-OFF VALVE
SUP06101	14	1	SUPPORT; 4 WAY VALVE ASSEMBLY
PLT05866	15	1	PLATE; RIGHT SIDE
VAL12382	16	1	VALVE; 4 WAY VALVE ASSEMBLY (INCLUDES TUBING)
PNL33516	17	1	PANEL; CONTROL BOX /AIR FLOW SEPARATOR
COL26129	18	1	COIL; MAGNET
COM12104	19	1	COMPRESSOR;
FTG01288	20	1	FITTING; DRAINAGE JOINT
HLD00673	21	1	HANDLE; FRONT PANEL

OUTDOOR 16 SEER HEAT PUMP INVERTER  
1.0 TON ASSY CONTROL PARTS

75011368

REV.  
A



All orderable Service Parts are identified for this product.

Parts that are not identified, will not be available to order.

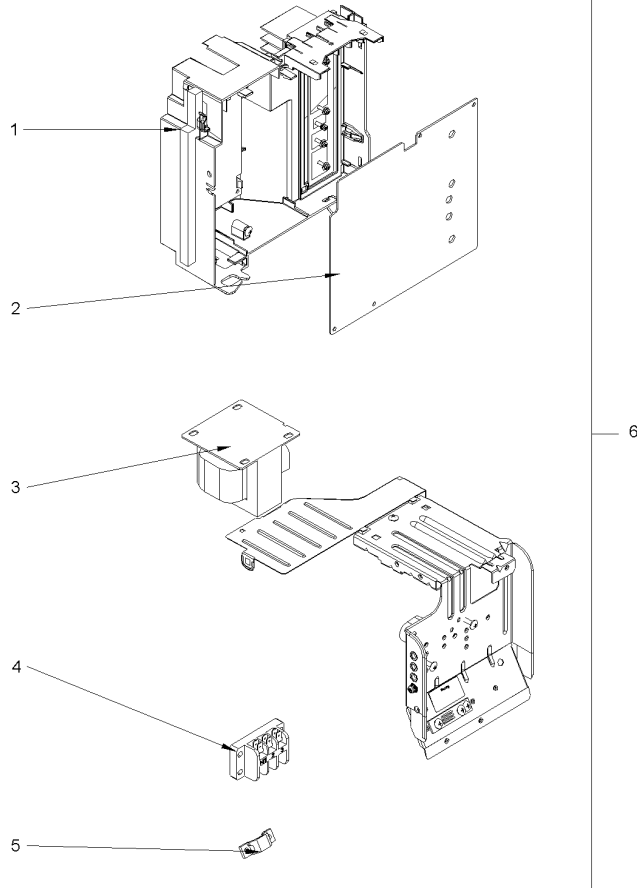
This is a typical illustration. The unit in the field may not appear exactly as shown.

Part No.	Reference No.	Quantity	Description
75011368_4TXKUP1_185893~P	*		ASSY CONTROL PARTS

OUTDOOR 16 SEER HEAT PUMP INVERTER  
1.0 TON ASSY CONTROL PARTS

75011368

REV.  
A



All orderable Service Parts are identified for this product.  
Parts that are not identified, will not be available to order.  
This is a typical illustration. The unit in the field may not appear exactly as shown.

<b>Part No.</b>	<b>Reference No.</b>	<b>Quantity</b>	<b>Description</b>
CAS02098	1	1	CASING; ELECTRICAL BOX
BRD05541	2	1	BOARD; MAIN PCB
TRR02657	3	1	TRANSFORMER; REACTOR
BRD04349	4	1	BOARD; TERMINAL
CMP01444	5	2	CLAMP; WIRE
BOX02958	6	1	BOX; ELECTRICAL ASSEMBLY