

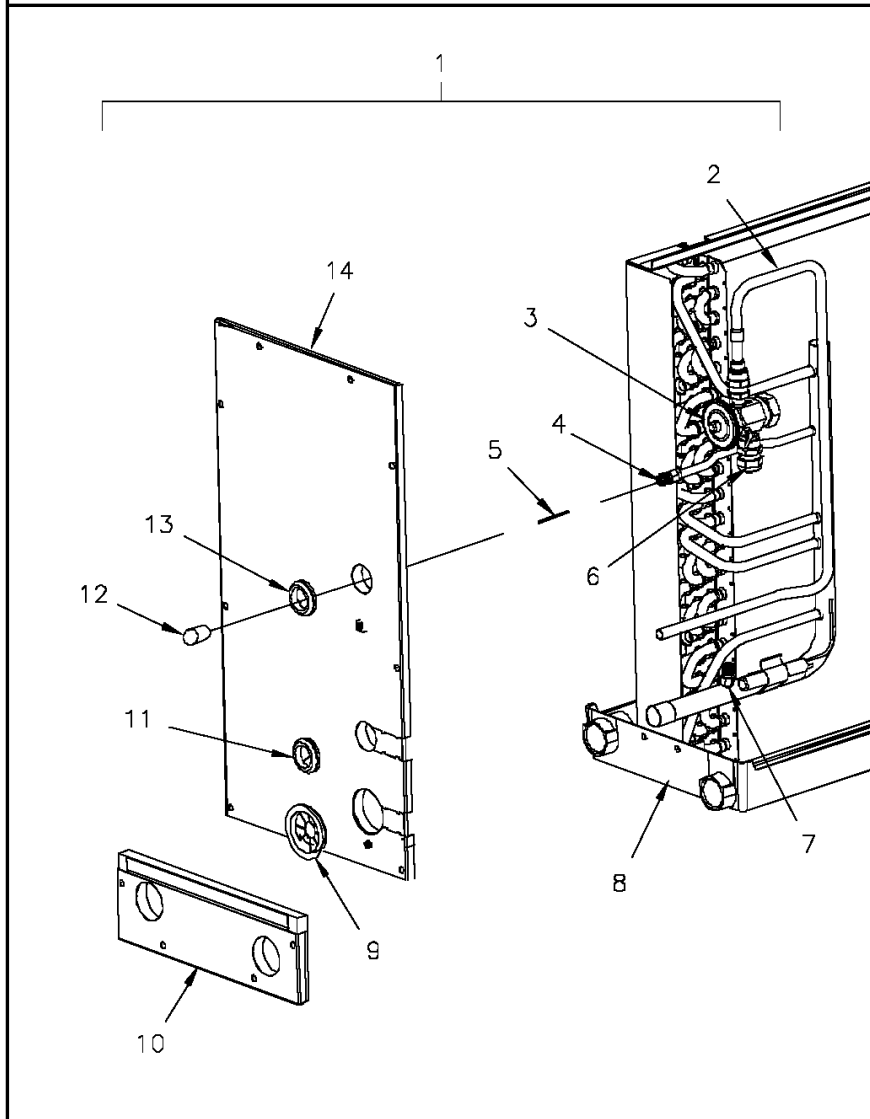
<b>Part No.</b>	<b>Reference No.</b>	<b>Quantity</b>	<b>Description</b>
75008777#TXFHUP1~S	*		HORIZONTAL CASED COIL
75008020#TXFHUP1~S	*		MODEL NUMBER DESCRIPTION
TXFH1_TXFHUP1_170568~P	*		TXFHUP1 PARTS LIST

Horizontal Cased Coil

75008777

REV  
A

Typical illustration. Unit may not appear exactly as shown.



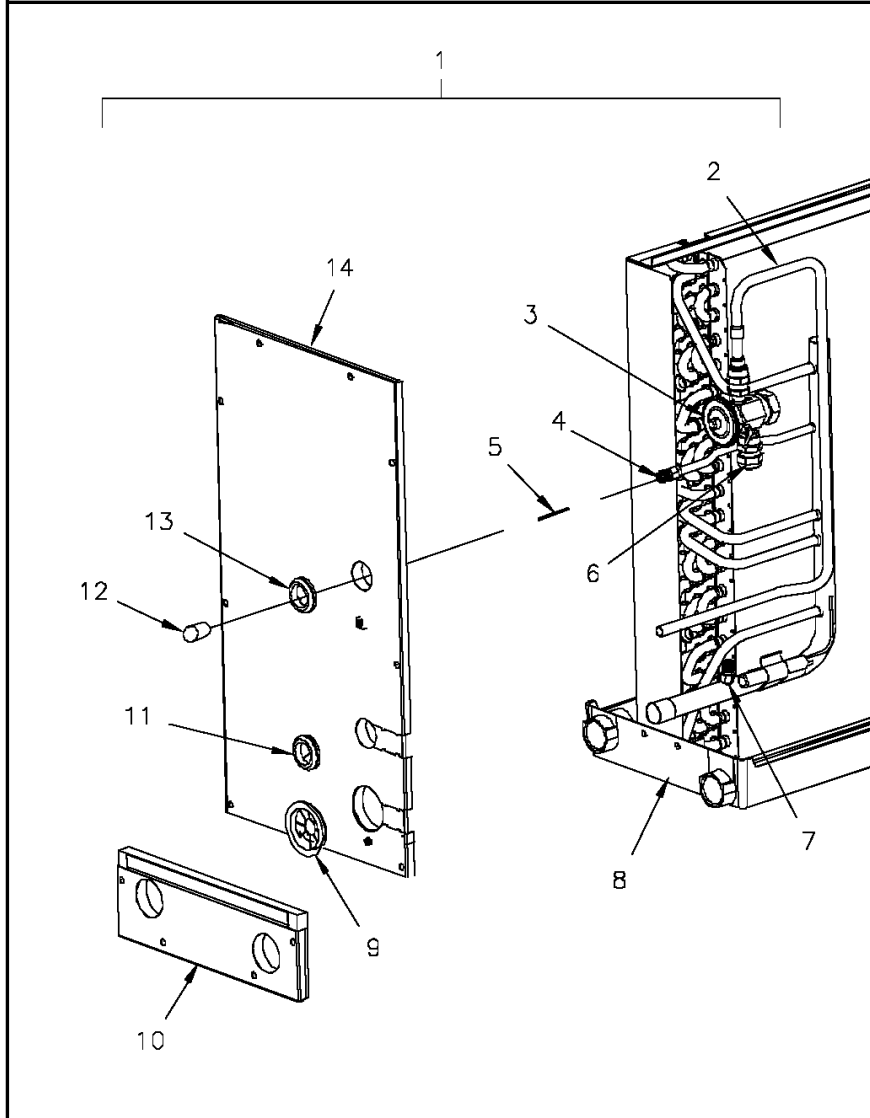
Part No.	Reference No.	Quantity	Description
75008777_TXFHUP1_337755~P	*		HORIZONTAL CASED COIL PARTS LIST

Horizontal Cased Coil

75008777

REV  
A

Typical illustration. Unit may not appear exactly as shown.



Parts List Number :TXFH1#TXFHUP1

Model Number :4TXFH024CZ3HHAA

Part No.	Reference No.	Quantity	Description
COL16787	1	1	COIL; CASED, HORIZONTAL (4TXFH024CZ3HHA)
VAL09225	3	1	VALVE; THERMOSTATIC EXPANSION W/MECHANICAL FITTINGS, R410 REFRIGERANT, 1.5 TON, NON-BLEED PORT, 86/82 PSIG SUPER HEAT, INTERNAL CHECK VALVE, .125 OD X 20.00 LONG EXTERNAL EQUALIZER
COR00103	5	1	CORE; VALVE, .79 LENGTH, .206-36 UNS-1 MOD. THD
DST00877	6	1	DISTRIBUTOR; 5/8 - 20 THREADED .28 MFL INLET, 4 OUTLET AT .19 ODF
VAL01483	7	1	VALVE; BODY, .44-20 THD X .25 ODS, STRAIGHT, BRASS, LESS CORE
PAN02604	8	1	PAN; DRAIN, 27.88 X 8.90
GRM00863	9	1	GROMMET; SUCTION GROMMET
PNL25625	10	1	PANEL; DRAIN, 3.41 X 10.16
GRM00864	11	1	GROMMET; CONE GROMMET, LIQUID LINE
CAP00209	12	1	CAP; THREADED, 9/16
GRM00864	13	1	GROMMET; CONE GROMMET, LIQUID LINE
PNL25623	14	1	PANEL; FRONT, 19.74 X 10.16

Model Number Description		75008020	REV E
Heat Pump/Cooling Coil			
<p>Model No. 4TX C A O 36 A C 4 H C A A</p> <p>Digit No. 1 2 3 4 5 6 7 8 9 10 11 12 13 14 15</p>			
<p>DIGIT 1 Refrigerant Type</p> <p>2 = R22</p> <p>4 = R410A</p>		<p>DIGIT 10 Efficiency</p> <p>C = Standard</p> <p>S = Hi Efficiency</p>	
<p>DIGIT 2 Product Family</p> <p>T = Premium (Heat Pump or Convertible Coil)</p> <p>C = Standard (Cooling only)</p>		<p>DIGIT 11 Flow Control</p> <p>2 = Capillary Tube</p> <p>3 = TXV - Non Bleed</p> <p>4 = Accutron Flow Control</p> <p>5 = TXV - Bleed</p> <p>6 = Fixed Orifice Accutron Flow Control</p>	
<p>DIGIT 3 Airflow</p> <p>X = Direct Expansion Evaporator Coil</p>		<p>DIGIT 12 Coil Circuitry</p> <p>H = Heat Pump</p> <p>C = Cooling Only</p> <p>D = Dual Circuit Cooling</p>	
<p>DIGIT 4 Product Family</p> <p>C = Cased Convertible A Coil</p> <p>A = Uncased A Coil</p> <p>F = Cased Horizontal Flat Coil</p>		<p>DIGITS 13 Airflow Application</p> <p>A = Upflow Only</p> <p>B = Upflow/Downflow</p> <p>H = Horizontal Only</p> <p>C = Convertible-Upflow, Downflow, Left Airflow</p> <p>M = Convertible-Upflow, Downflow, Left or Right Airflow</p>	
<p>DIGIT 5 Coil Width (Cased/Uncased)</p> <p>A = 14.5"/13.3"</p> <p>B = 17.5"/16.3"</p> <p>C = 21.0"/19.8"</p> <p>D = 24.5"/23.3"</p> <p>H = 10.5"</p>		<p>DIGIT 14 Minor Modification</p> <p>A = Minor Design Change</p>	
<p>DIGIT 6 Field Fitting</p> <p>O = Brazed</p>		<p>DIGIT 15 Service Digit</p> <p>A = Service Digit</p>	
<p>DIGITS 7 &amp; 8 Capacity Nominal Capacity in 000's of BTUH's</p>			
<p>DIGIT 9 Major Modification</p> <p>A = Major Design Change</p>			

Part No.	Reference No.	Quantity	Description
75008020_TXFHUP1_170569~P	*		MODEL NUMBER DESCRIPTION PARTS LIST

Model Number Description		75008020	REV E
Heat Pump/Cooling Coil			
<p>Model No. 4TX C A O 36 A C 4 H C A A</p> <p>Digit No. 1 2 3 4 5 6 7 8 9 10 11 12 13 14 15</p>			
<p>DIGIT 1 Refrigerant Type</p> <p>2 = R22</p> <p>4 = R410A</p>		<p>DIGIT 10 Efficiency</p> <p>C = Standard</p> <p>S = Hi Efficiency</p>	
<p>DIGIT 2 Product Family</p> <p>T = Premium (Heat Pump or Convertible Coil)</p> <p>C = Standard (Cooling only)</p>		<p>DIGIT 11 Flow Control</p> <p>2 = Capillary Tube</p> <p>3 = TXV - Non Bleed</p> <p>4 = Accutron Flow Control</p> <p>5 = TXV - Bleed</p> <p>6 = Fixed Orifice Accutron Flow Control</p>	
<p>DIGIT 3 Airflow</p> <p>X = Direct Expansion Evaporator Coil</p>		<p>DIGIT 12 Coil Circuitry</p> <p>H = Heat Pump</p> <p>C = Cooling Only</p> <p>D = Dual Circuit Cooling</p>	
<p>DIGIT 4 Product Family</p> <p>C = Cased Convertible A Coil</p> <p>A = Uncased A Coil</p> <p>F = Cased Horizontal Flat Coil</p>		<p>DIGITS 13 Airflow Application</p> <p>A = Upflow Only</p> <p>B = Upflow/Downflow</p> <p>H = Horizontal Only</p> <p>C = Convertible-Upflow, Downflow, Left Airflow</p> <p>M = Convertible-Upflow, Downflow, Left or Right Airflow</p>	
<p>DIGIT 5 Coil Width (Cased/Uncased)</p> <p>A = 14.5"/13.3"</p> <p>B = 17.5"/16.3"</p> <p>C = 21.0"/19.8"</p> <p>D = 24.5"/23.3"</p> <p>H = 10.5"</p>		<p>DIGIT 14 Minor Modification</p> <p>A = Minor Design Change</p>	
<p>DIGIT 6 Field Fitting</p> <p>O = Brazed</p>		<p>DIGIT 15 Service Digit</p> <p>A = Service Digit</p>	
<p>DIGITS 7 &amp; 8 Capacity Nominal Capacity in 000's of BTUH's</p>			
<p>DIGIT 9 Major Modification</p> <p>A = Major Design Change</p>			

NO GRAPHIC AVAILABLE

75013702

REV  
A

**NO  
GRAPHIC  
AVAILABLE**

