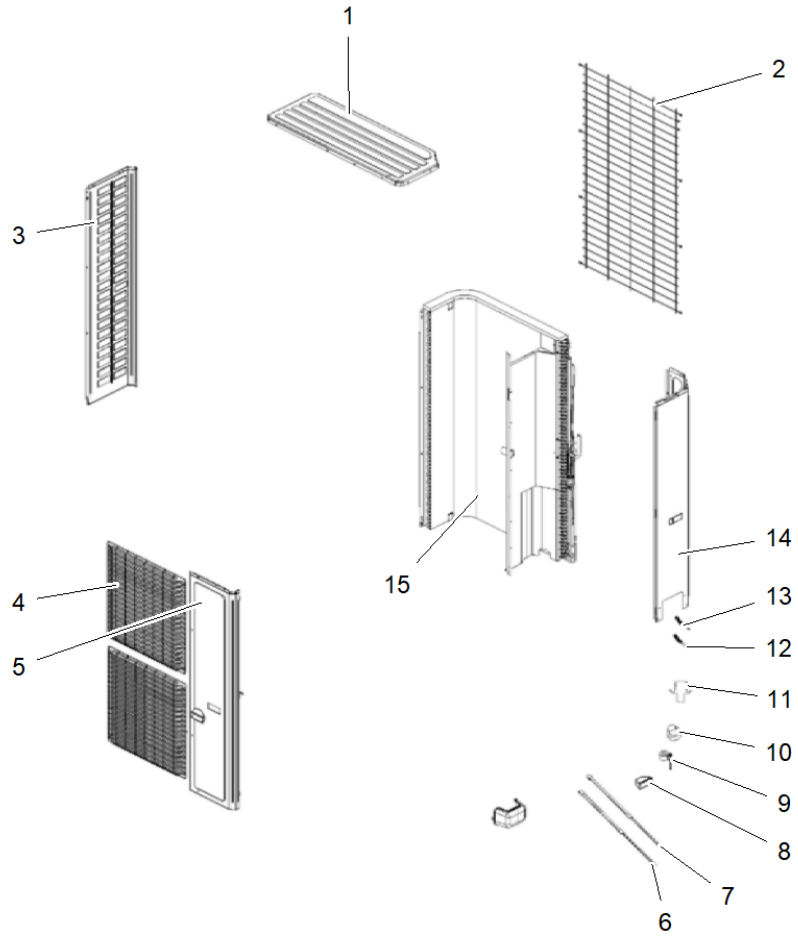


Part No.	Reference No.	Quantity	Description
0000159469~S	*		CABINET & CONDENSER ASSEMBLY
0000159493~S	*		COMPRESSOR & OTHER COMPONENTS
0000159495~S	*		ELECTRIC BOX ASSEMBLY
0000159484~S	*		MODEL NUMBER DESCRIPTION
0000159468~S	*		VALVE ASSEMBLY

Part No.	Reference No.	Quantity	Description
0000032091~P	*		CABINET & CONDENSER ASSEMBLY



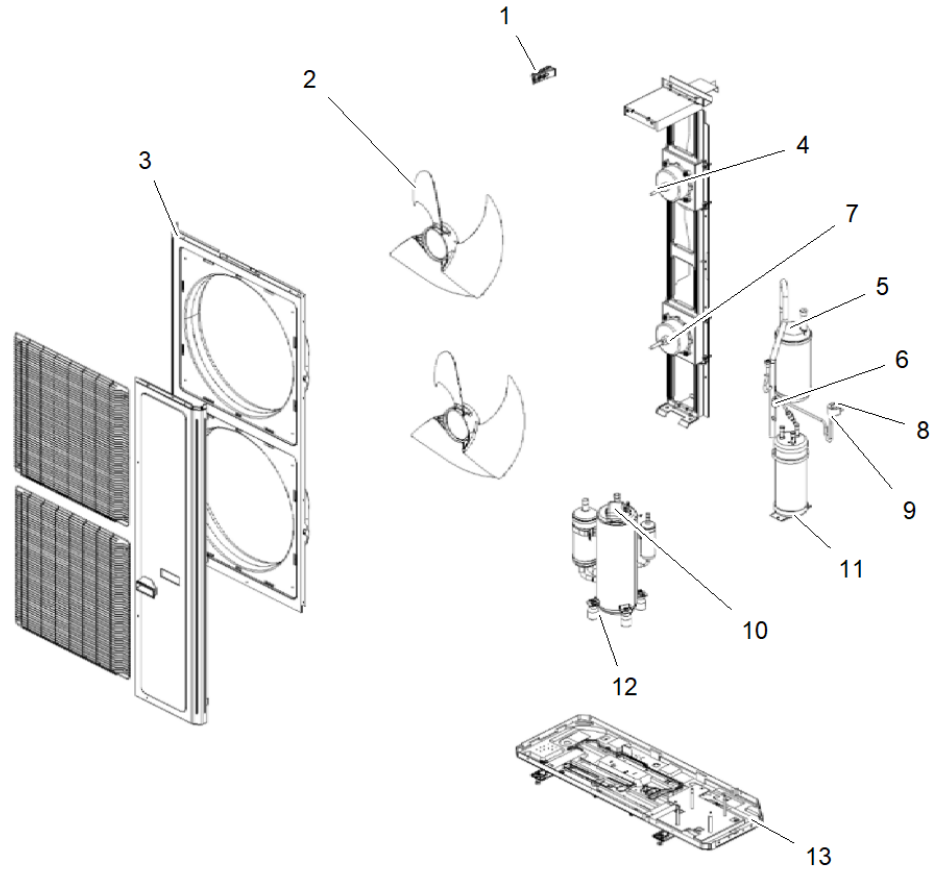
Part No.	Reference No.	Quantity	Description
COV06186	1	1	COVER; TOP
GRL02372	2	1	GRILLE; REAR
PLT07316	3	1	PLATE; LEFT SIDE
GRL02373	4	2	GRILLE; FRONT
PLT07317	5	1	PLATE; FRONT SIDE
HTR71663	6	1	HEATER; ELECTRICAL
HTR71831	7	1	HEATER; ELECTRICAL
HDL01438	8	2	HANDLE;
COL31579	9	1	COIL; FOUR WAY VALVE
CAP01252	10	3	CAP; DRAINAGE HOLE
CON02239	11	1	CONNECTOR; DRAINAGE
SEN02377	12	1	SENSOR; TEMPERATURE
SEN02984	13	1	SENSOR; TEMPERATURE
PLT07318	14	1	PLATE; REAR SIDE SUB ASSY
CDS02716	15	1	CONDENSER; ASSY

COMPRESSOR & OTHER COMPONENTS

Parts List Number :0000159464

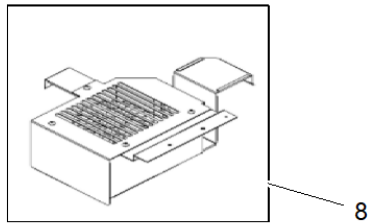
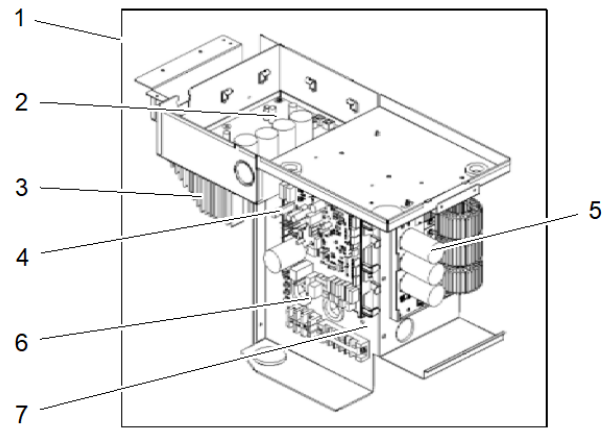
Model Number :4TXD2060A10NUAA

Part No.	Reference No.	Quantity	Description
0000032078~P	*		COMPRESSOR & OTHER COMPONENTS



Part No.	Reference No.	Quantity	Description
HDL01341	1	1	HANDLE;
FAN04378	2	2	FAN; AXIAL FLOW
CAB01903	3	1	CABINET;
MOT20667	4	1	MOTOR; BRUSHLESS DC
SEP00225	5	1	SEPARATOR; GAS-LIQUID SEPARATOR SUB-ASSY
SWT03912	6	1	SWITCH; PRESSURE PROTECT
FAN06635	7	1	FAN; MOTOR
VAL20458	8	1	VALVE; ELECTROMAGNETIC
FTG01527	9	1	FITTING; ELECTRIC EXPAND VALVE
COM13875	10	1	COMPRESSOR; FITTINGS
ACC00381	11	1	ACCUMULATOR;
TOL05778	12	2	TOOL; FOOT
BRK05396	13	1	BRACKET; CAHSSIS SUB ASSY

Part No.	Reference No.	Quantity	Description
0000032079~P	*		ELECTRIC BOX ASSEMBLY



Part No.	Reference No.	Quantity	Description
BOX04497	1	1	BOX; ELECTRIC ASSY
BRD07894	2	1	BOARD; DRIVE
EXC03195	3	1	EXCHANGER; RADIATOR
BRD07876	4	1	BOARD; MAIN
BRD07895	5	1	BOARD; FILTER
BRD07878	6	1	BOARD; TERMINAL
BRD07877	7	1	BOARD; TERMINAL
BOX04498	8	1	BOX; INDUCTANCE ASSY

Part No.	Reference No.	Quantity	Description
0000032068~P	*		MODEL NUMBER DESCRIPTION

MODEL NUMBER DESCRIPTION

75015274

REV
A

Ductless Cold Climate Heat Pump

Example Model Number:
4 T X D 2 0 3 6 A 1 0 N U A A
1 - - - - 5 - - - - 10 - - - - 15

Digit 1 Refrigerant

4 = R-410A

Digit 2 Unit Type

T = Outdoor Unit

Digit 3 Functional Type

X = Heat Pump Inverter

Y = Cooling Only Inverter

Digit 4 Configuration Outdoor Unit

D = Ducted

Digits 5-6 Model Series

20 = 20 Series

Digits 7-8 Nominal Capacity(Btu/h x 1000)

24 = 24,000Btu/h

36 = 36,000Btu/h

48 = 48,000Btu/h

60 = 60,000Btu/h

Digit 9 Major Development Sequence

A = Major Development Sequence

Digit 10 Electric Power Supply Characteristics

1 = 208-230/60/1

Digit 11 Refrigerant Ports

0 = Mini-Split Systems

Digit 12 Regional Markets Served(1:1 Systems)

N = North America Market

Digit 13 Reserved for Future Use

0 = Not Currently Used

U = Ultra Low Ambient

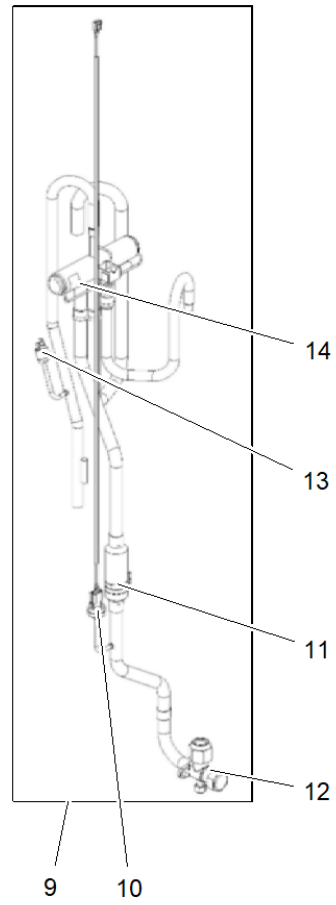
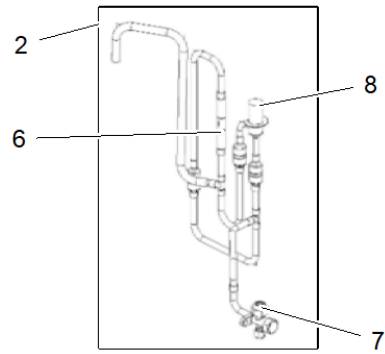
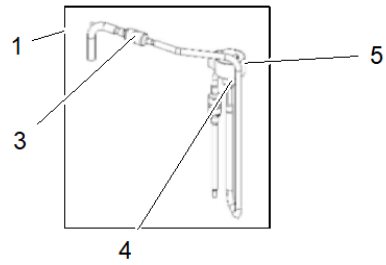
Digit 14 Minor Design Sequence

A = Minor Design Sequence

Digit 15 Service Digit

A = Service Digit Sequence

Part No.	Reference No.	Quantity	Description
0000032090~P	*		VALVE ASSEMBLY



Part No.	Reference No.	Quantity	Description
VAL20463	1	1	VALVE; ELECTRIC EXPANSION SUB ASSY
VAL20464	2	1	VALVE; CUT OFF SUB ASSY
SRA01105	3	6	STRAINER;
VAL20466	4	1	VALVE; MAGNET COIL, ELECTROMAGNET
FTG01527	5	1	FITTING; ELECTRIC EXPAND VALVE
VAL20462	6	1	VALVE; ONE WAY
VAL20474	7	1	VALVE; CUTOFF
VAL20475	8	2	VALVE; ELECTRONIC EXPANSION
VAL20476	9	1	VALVE; 4-WAY ASSY
SEN03125	10	1	SENSOR; PRESSURE
SRA01106	11	1	STRAINER;
VAL09977	12	1	VALVE; CUT-OFF VALVE(07130209)
SWT04454	13	1	SWITCH; PRESSURE (4-WAY VALVE)
VAL19616	14	1	VALVE; REVERSING (4-WAY)