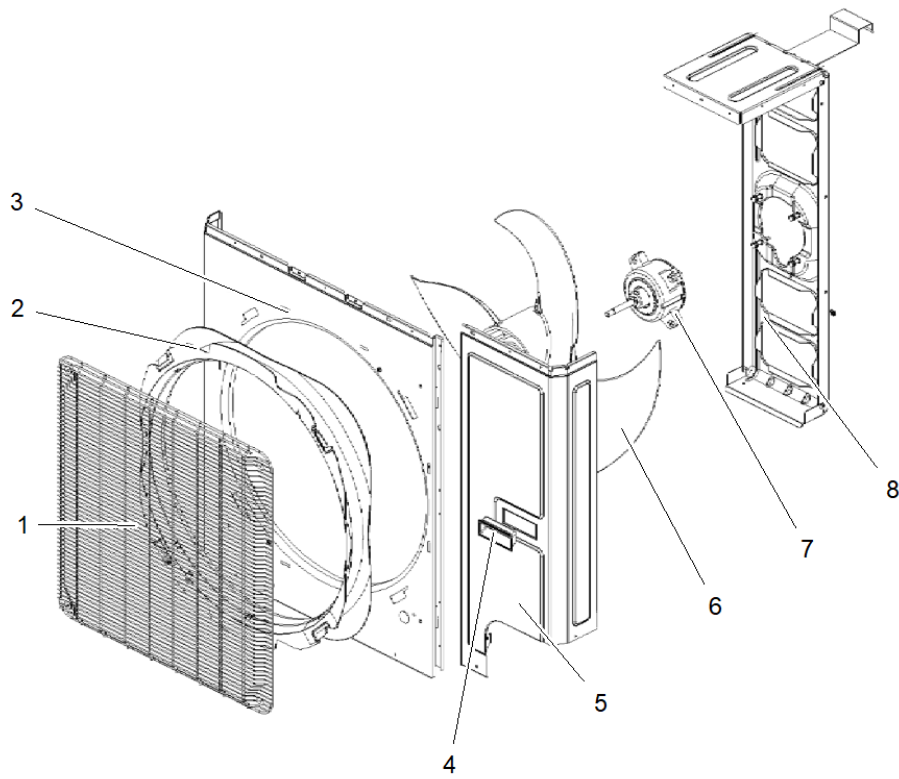


Part No.	Reference No.	Quantity	Description
0000159494~S	*		CABINET ASSEMBLY
0000159493~S	*		COMPRESSOR & OTHER COMPONENTS
0000159496~S	*		CONDENSER & CHASSIS ASSEMBLY
0000159495~S	*		ELECTRIC BOX ASSEMBLY
0000159484~S	*		MODEL NUMBER DESCRIPTION

Part No.	Reference No.	Quantity	Description
0000032088~P	*		CABINET ASSEMBLY



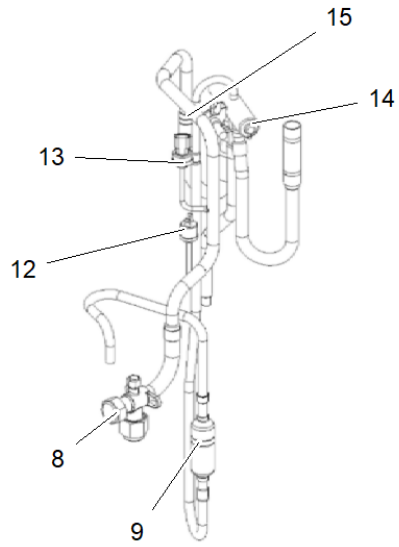
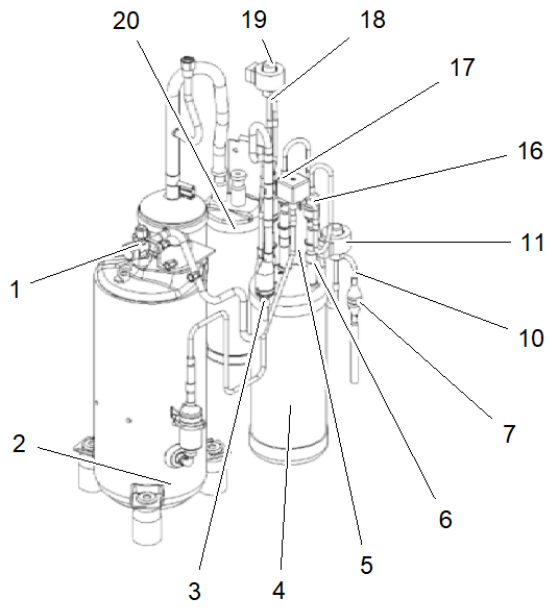
Part No.	Reference No.	Quantity	Description
GRL02370	1	1	GRILLE; FRONT
DIF00392	2	1	DIFFUSER; DIVERSION CIRCLE
CBT01930	3	1	CABINET;
HDL01437	4	2	HANDLE;
PLT07313	5	1	PLATE; FRONT SIDE
FAN06634	6	1	FAN; AXIAL FLOW
MOT20666	7	1	MOTOR; BRUSHLESS DC
SUP07003	8	1	SUPPORT; MOTOR SUB ASSY

COMPRESSOR & OTHER COMPONENTS

Parts List Number :0000159464

Model Number :4TXD2036A10NUAA

Part No.	Reference No.	Quantity	Description
0000032087~P	*		COMPRESSOR & OTHER COMPONENTS

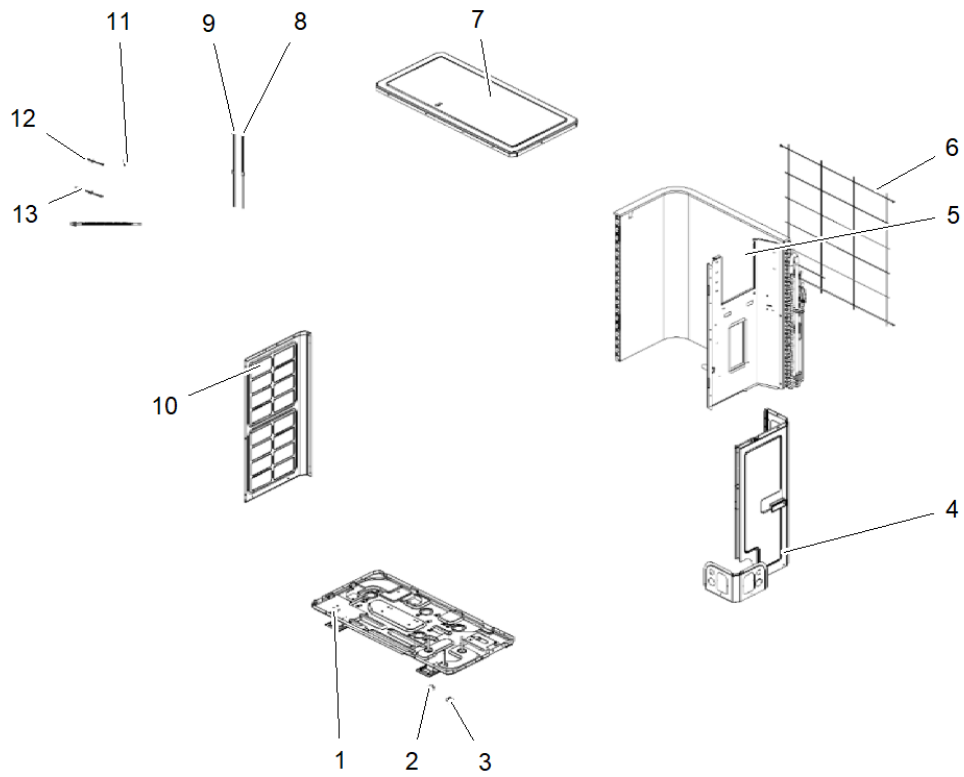


Part No.	Reference No.	Quantity	Description
VAL09988	1	1	VALVE; CUT-OFF VALVE
COM13874	2	1	COMPRESSOR; FITTINGS
SRA01034	3	2	STRAINER;
ACC00380	4	1	ACCUMULATOR;
VAL20458	5	1	VALVE; ELECTROMAGNETIC
VAL20459	6	1	VALVE; MAGNET COIL, ELECTROMAGNET
SRA01026	7	1	STRAINER;
VAL20460	8	1	VALVE; CUTOFF
BAF01420	9	1	BAFFLE; SILENCER
VAL20461	10	1	VALVE; ELECTONIC EXPANSION
FTG01526	11	1	FITTING; ELECTRIC EXPAND VALVE
SWT04454	12	1	SWITCH; PRESSURE (4-WAY VALVE)
SEN03124	13	1	SENSOR; PRESSURE
VAL11792	14	1	VALVE; 4-WAY
FLR09429	15	1	FILTER;
SRA01105	16	2	STRAINER;
VAL20462	17	1	VALVE; ONE WAY
VAL20461	18	1	VALVE; ELECTONIC EXPANSION
FTG01352	19	1	FITTING; ELECTRIC EXPAND VALVE
SEP00268	20	1	SEPERATOR; GAS-LIQUID

Parts List Number :0000159464

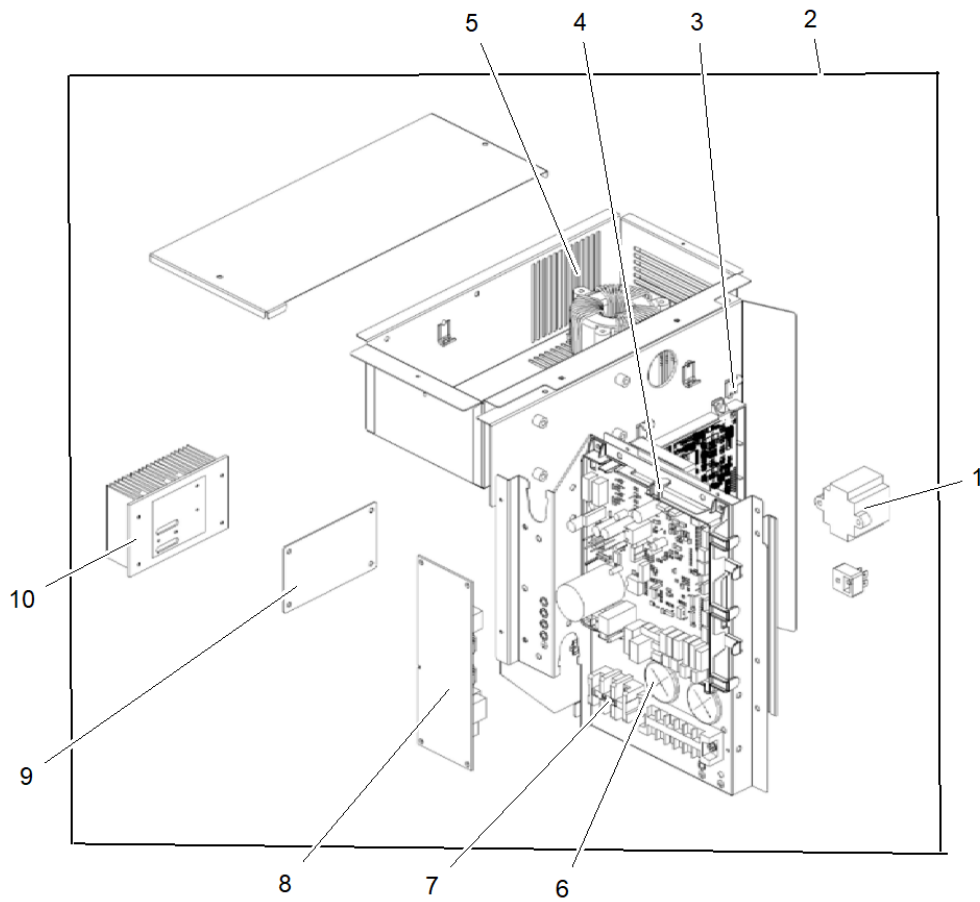
Model Number :4TXD2036A10NUAA

Part No.	Reference No.	Quantity	Description
0000032074~P	*		CONDENSER & CHASSIS ASSEMBLY



Part No.	Reference No.	Quantity	Description
BRK05395	1	1	BRACKET; CAHSSIS SUB ASSY
CAP01440	2	3	CAP; DRAINAGE HOLE
TUB15356	3	1	TUBE; CONNECTOR (DRAIN)
PLT07314	4	1	PLATE; REAR SIDE
CDS02715	5	1	CONDENSER; ASSY
GRL02371	6	1	GRILLE; REAR
CON02238	7	1	CONNECTOR; COPING
HTR18482	8	1	HEATER; ELECTRICAL (CHASSIS)
HTR71830	9	1	HEATER; ELECTRIC, COMPRESSOR
PLT07315	10	1	PLATE; LEFT SIDE
COL31579	11	1	COIL; FOUR WAY VALVE
SEN02984	12	1	SENSOR; TEMPERATURE
SEN02403	13	1	SENSOR; TEMPERATURE

Part No.	Reference No.	Quantity	Description
0000032073~P	*		ELECTRIC BOX ASSEMBLY



Part No.	Reference No.	Quantity	Description
WIR11575	1	1	WIRE; INDUCTANCE
BOX04496	2	1	BOX; ELECTRIC ASSY
BRD07875	3	1	BOARD; DRIVE
BRD07876	4	1	BOARD; MAIN
HTR11042	5	1	HEATER; PFC INDUCTANCE(43120011)
BRD07877	6	1	BOARD; TERMINAL
BRD07878	7	1	BOARD; TERMINAL
BRD07879	8	1	BOARD; FILTER
SWT04652	9	1	SWITCH; POWER
EXC03194	10	1	EXCHANGER; RADIATOR

Part No.	Reference No.	Quantity	Description
0000032068~P	*		MODEL NUMBER DESCRIPTION

MODEL NUMBER DESCRIPTION

75015274

REV
A

Ductless Cold Climate Heat Pump

Example Model Number:
4 T X D 2 0 3 6 A 1 0 N U A A
1 - - - - 5 - - - - 10 - - - - 15

Digit 1 Refrigerant

4 = R-410A

Digit 2 Unit Type

T = Outdoor Unit

Digit 3 Functional Type

X = Heat Pump Inverter

Y = Cooling Only Inverter

Digit 4 Configuration Outdoor Unit

D = Ducted

Digits 5-6 Model Series

20 = 20 Series

Digits 7-8 Nominal Capacity(Btu/h x 1000)

24 = 24,000Btu/h

36 = 36,000Btu/h

48 = 48,000Btu/h

60 = 60,000Btu/h

Digit 9 Major Development Sequence

A = Major Development Sequence

Digit 10 Electric Power Supply Characteristics

1 = 208-230/60/1

Digit 11 Refrigerant Ports

0 = Mini-Split Systems

Digit 12 Regional Markets Served(1:1 Systems)

N = North America Market

Digit 13 Reserved for Future Use

0 = Not Currently Used

U = Ultra Low Ambient

Digit 14 Minor Design Sequence

A = Minor Design Sequence

Digit 15 Service Digit

A = Service Digit Sequence

