

Part No.	Reference No.	Quantity	Description
75011277#4TXCUP6~S	*		CABINET
75011281#4TXCUP6~S	*		COIL
4TXC6_4TXCUP6_120084~P	*		HIGH EFFICIENCY CASED COIL PARTS LIST
75010729#4TXCUP6~S	*		MODEL NUMBER DESCRIPTION
OPTIONS#4TXCUP6~S	*		OPTIONAL R22 TXV KIT

NO GRAPHIC AVAILABLE

75013702

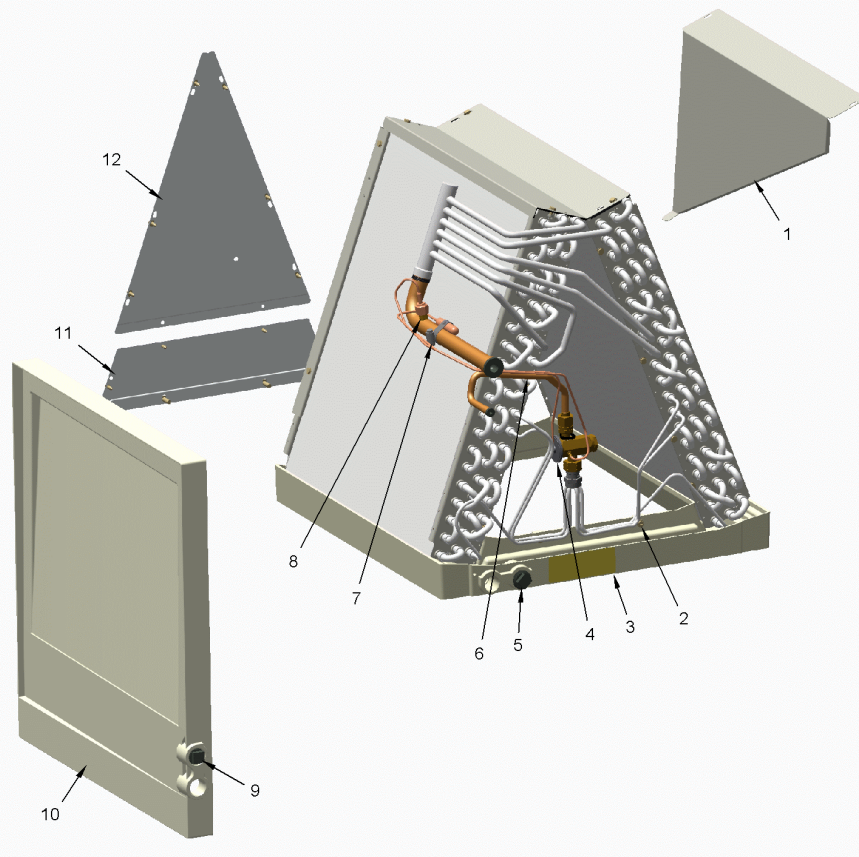
REV
A

**NO
GRAPHIC
AVAILABLE**

COIL

75011281

REV.
A



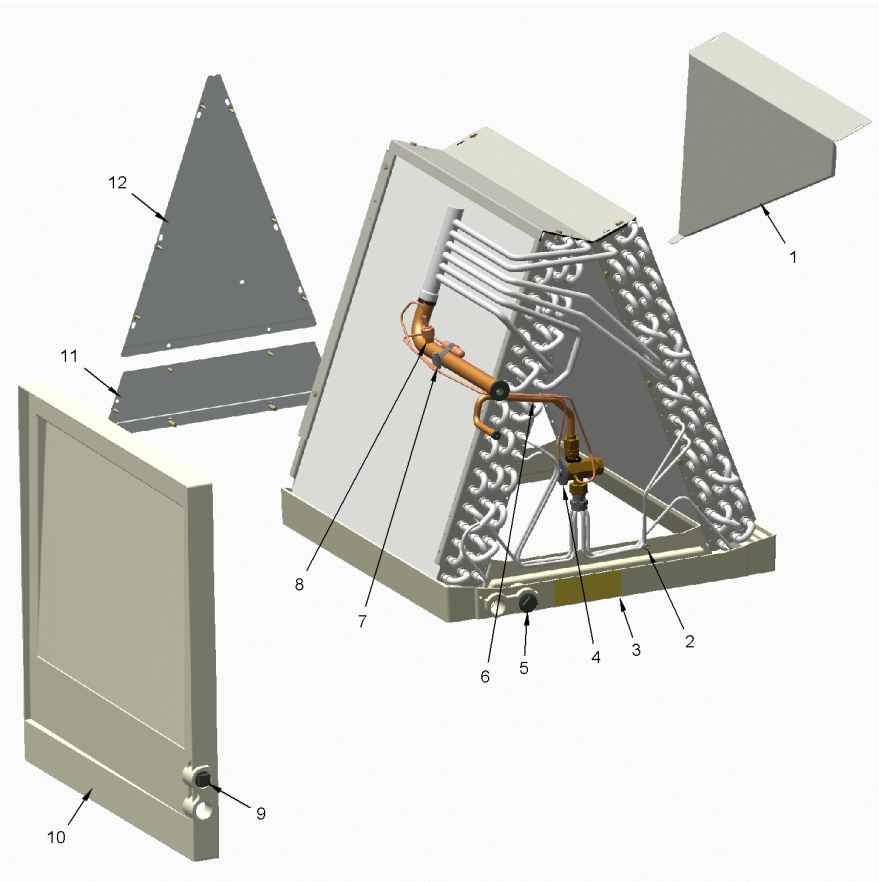
This is a typical illustration. The unit in the field may not appear exactly as shown.

Part No.	Reference No.	Quantity	Description
75011281_4TXCUP6_281244~P	*		COIL PARTS LIST

COIL

75011281

REV.
A



This is a typical illustration. The unit in the field may not appear exactly as shown.

COIL PARTS LIST

Parts List Number :4TXC6#4TXCUP6

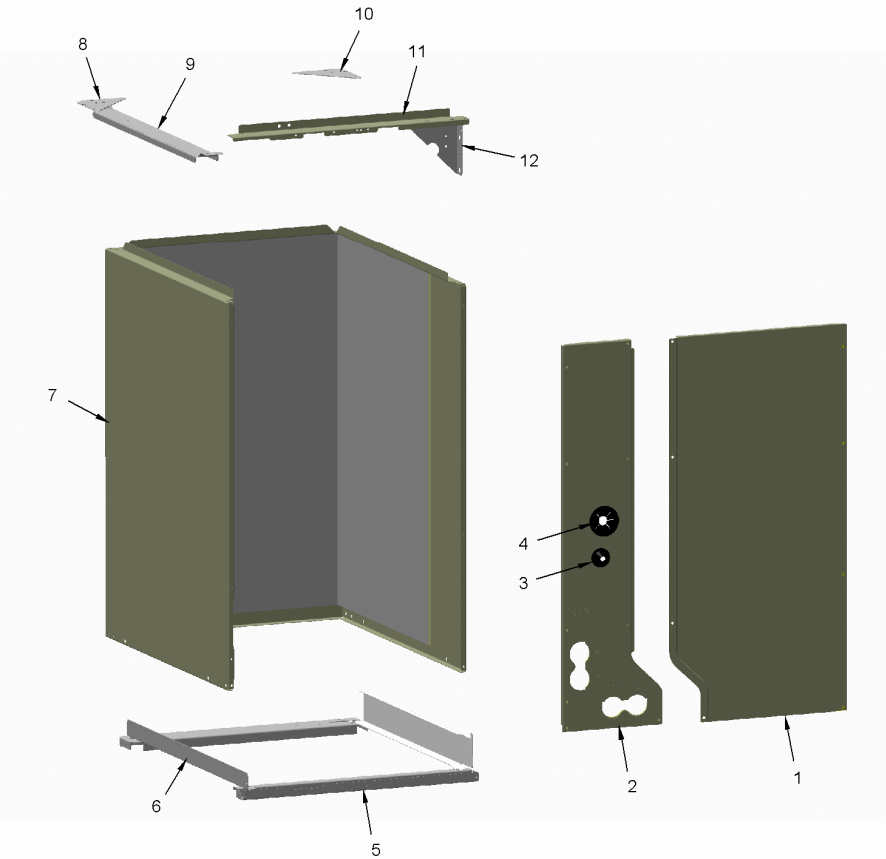
Model Number :4TXCC005DS3HCAA

Part No.	Reference No.	Quantity	Description
4TXCC005DS3HCA	*	1	COIL; ASSEMBLY, WITH DRAIN PAN
BAF01201	*	1	BAFFLE; DRAIN, 1.27 X 20.75, V-SHAPED CHANNEL
BAF01453	*	1	BAFFLE; TOP, 18.79 X 5.90
GRD00938	*	1	GUARD; SPLASH, 19.29 X 8.00
KIT17350	*	1	KIT; BAG ASSEMBLY 4 SCREWS AND 4 INSULATORS
SCR00965	*	28	SCREW, 10-16 AB HXW 1/2 S N
BAF01223	1	1	BAFFLE; TOP, 17.88 X 10.00 X 2.00 TRIANGULAR GALVANIZED SHEET METAL
SCR00969	2	4	SCREW;10-16 BT HXW 5/8 S
PAN03217	3	1	PAN; DRAIN PAN ASSEMBLY, PLASTIC,19.78 X 21.10 X 2.54
VAL12308	4	1	VALVE; TXV CHATLEFF, 3 TON, 79 PSIG OUTLET AT 32F, 15 PERCENT BLEED
PLU00457	5	1	PLUG; DRAIN PAN
TUB13776	6	1	TUBE; ASSEMBLY, LIQUID. INCLUDES FLANGE FITTING, HEX NUT AND INLET SCREEN
CMP01450	7	1	CLAMP; HOSE, 11/16 - 1-1/4, 1/2 W, 5/16 HEX SCREW, STAINLESS STEEL
BOD00114	8	1	BODY; VALVE, BRASS, 7/16 HEX, 7/16 -20 UNF-2A
PLU00457	9	1	PLUG; DRAIN PAN
PAN03220	10	1	PAN; SECONDARY DRAIN PAN ASSEMBLY, PLASTIC, 21.23 X 21.10 X 1.50
PLT05395	11	2	PLATE; COIL BAFFLE-LOWER, 11.45 L X 3.50 H
PLT05408	12	2	PLATE; COIL BAFFLE, TOP, 11.84 W X 15.03 H

COIL CABINET

75011277

REV.
A



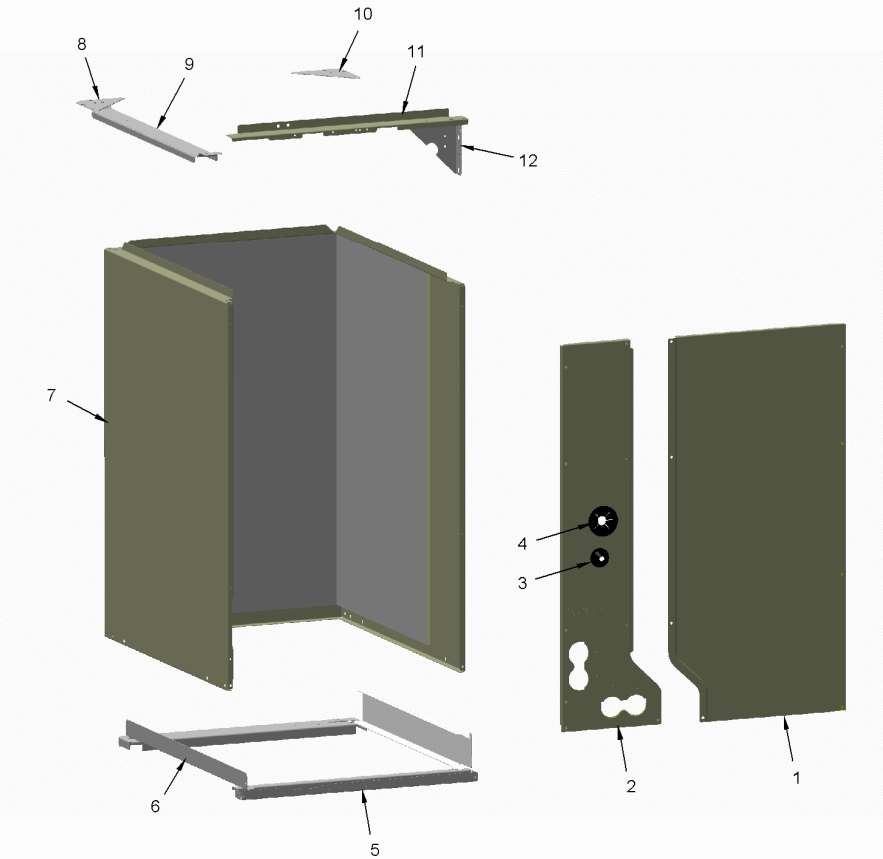
This is a typical illustration. The unit in the field may not appear exactly as shown.

Part No.	Reference No.	Quantity	Description
75011277_4TXCUP6_281243~P	*		CABINET PARTS LIST

COIL CABINET

75011277

REV.
A



This is a typical illustration. The unit in the field may not appear exactly as shown.

Part No.	Reference No.	Quantity	Description
INS02500	1	1	INSULATION; FRONT
PNL21797	1	1	PANEL; RIGHT FRONT WITH INSULATION, 22.40 X 16.60. FOR PANEL ONLY ORDER PNL17598.
PNL31866	2	1	PANEL; MANIFOLD, 22.34 X 7.15, INCLUDES (1) GRM00863 & (1) GRM00864
GRM00864	3	1	GROMMET; CONE GROMMET, LIQUID LINE
GRM00863	4	1	GROMMET; SUCTION GROMMET
SUP04115	5	1	SUPPORT; ANGLE, 20.94 X 13.75 X 0.80
ANG01172	6	1	ANGLE;
PNL21439	7	1	PANEL; WRAPPER, 21.36 L X 21.00 W X 22.50 H, W/O INSULATION
BRK01730	8	1	BRACKET;
ANG00695	9	1	ANGLE;
BRK01730	10	1	BRACKET;
CNL00442	11	1	CHANNEL;
BRK01706	12	1	BRACKET;ANGLE ASSEMBLY

MODEL NUMBER DESCRIPTION

75010729

REV.
A

Heat Pump / Cooling Coils

Example Model Number:

4 T X C B 0 3 6 A C 3 H C A A
1 - - - 5 - - - 10 - - - 15

Digit 1 – Refrigerant Type

4 = R-410A

Digit 2 – Series

T = Premium (Heat Pump)
N = Premium (Cooling and HP)
P = Premium High Efficiency - Dedicated
position (Cooling and HP)
C = Standard (Cooling Only)
F = Entry Level (Cooling Only)

Digit 3 – Coil Design

X = Direct Expansion Evaporator Coil

Digit 4 – Coil Feature

C = Cased A Coil
A = Uncased A Coil
F = Cased Horizontal Flat Coil

Digit 5 – Coil Width (Cased/Uncased)

A = 14.5" / 13.3"
B = 17.5" / 16.3"
C = 21.0" / 19.8"
D = 24.5" / 23.3"
H = 10.5"

Digit 6 – Refrigerant Line Coupling / Airflow Configuration

0 = Brazed
U = Upflow only, convertible to Horizontal Left
D = Downflow only, convertible to Horizontal
Right

Digits 7,8 – Nominal Capacity in 1000's (BTUH) / Model Number Distinguisher

Digit 9 – Major Design Change

Digit 10 – Efficiency

C = Standard
S = High Efficiency (derived from 10 SEER
products)
Z = High Efficiency (TXV modulates to 50%)

Digit 11 – Refrigerant Control

3 = TXV - Non-Bleed

Digit 12 – Coil Circuitry

H = Heat Pump
C = Cooling

Digit 13 – Airflow Configuration

A = Upflow
U = Upflow / Downflow
D = Downflow
R = Downflow / Horizontal Right
H = Horizontal Left / Right
C = Convertible - Upflow, Downflow,
Left or Right

Digit 14 – Minor Design Change

Digit 15 – Service Digit, Not Orderable

Part No.	Reference No.	Quantity	Description
75010729_4TXCUP6_120087~P	*		MODEL NUMBER DESCRIPTION PARTS LIST

MODEL NUMBER DESCRIPTION	75010729	REL A
Heat Pump / Cooling Coils		
<p><i>Example Model Number:</i></p> <p>4 T X C B 0 3 6 A C 3 H C A A</p> <p style="font-size: small; text-align: center;">1 - - - 5 - - - 10 - - - 15</p>		
<p>Digit 1 – Refrigerant Type 4 = R-410A</p> <p>Digit 2 – Series T = Premium (Heat Pump) N = Premium (Cooling and HP) P = Premium High Efficiency - Dedicated position (Cooling and HP) C = Standard (Cooling Only) F = Entry Level (Cooling Only)</p> <p>Digit 3 – Coil Design X = Direct Expansion Evaporator Coil</p> <p>Digit 4 – Coil Feature C = Cased A Coil A = Uncased A Coil F = Cased Horizontal Flat Coil</p> <p>Digit 5 – Coil Width (Cased/Uncased) A = 14.5" / 13.3" B = 17.5" / 16.3" C = 21.0" / 19.8" D = 24.5" / 23.3" H = 10.5"</p> <p>Digit 6 – Refrigerant Line Coupling / Airflow Configuration 0 = Brazed U = Upflow only, convertible to Horizontal Left D = Downflow only, convertible to Horizontal Right</p> <p>Digits 7,8 – Nominal Capacity in 1000's (BTUH) / Model Number Distinguisher</p> <p>Digit 9 – Major Design Change</p> <p>Digit 10 – Efficiency C = Standard S = High Efficiency (derived from 10 SEER products) Z = High Efficiency (TXV modulates to 50%)</p> <p>Digit 11 – Refrigerant Control 3 = TXV - Non-Bleed</p>	<p>Digit 12 – Coil Circuitry H = Heat Pump C = Cooling</p> <p>Digit 13 – Airflow Configuration A = Upflow U = Upflow / Downflow D = Downflow R = Downflow / Horizontal Right H = Horizontal Left / Right C = Convertible - Upflow, Downflow, Left or Right</p> <p>Digit 14 – Minor Design Change</p> <p>Digit 15 – Service Digit, Not Orderable</p>	
1 of 1		

Part No.	Reference No.	Quantity	Description
OPTIONS_4TXCUP6_281245~P	*		OPTIONAL R22 TXV KIT PARTS LIST

NO GRAPHIC AVAILABLE

75013702

REV
A

**NO
GRAPHIC
AVAILABLE**

Part No.	Reference No.	Quantity	Description
2AYTXVH3H1836A	*	1	KIT; FIELD MOUNTED TXV (R-22)
BAYGSKT001A0	*	1	KIT-DOWNFLOW INSULATE GSK