

Part No.	Reference No.	Quantity	Description
75011277#4TXCUP6~S	*		CABINET
75011281#4TXCUP6~S	*		COIL
4TXC6_4TXCUP6_120084~P	*		HIGH EFFICIENCY CASED COIL PARTS LIST
75010729#4TXCUP6~S	*		MODEL NUMBER DESCRIPTION
OPTIONS#4TXCUP6~S	*		OPTIONAL R22 TXV KIT

NO GRAPHIC AVAILABLE

75013702

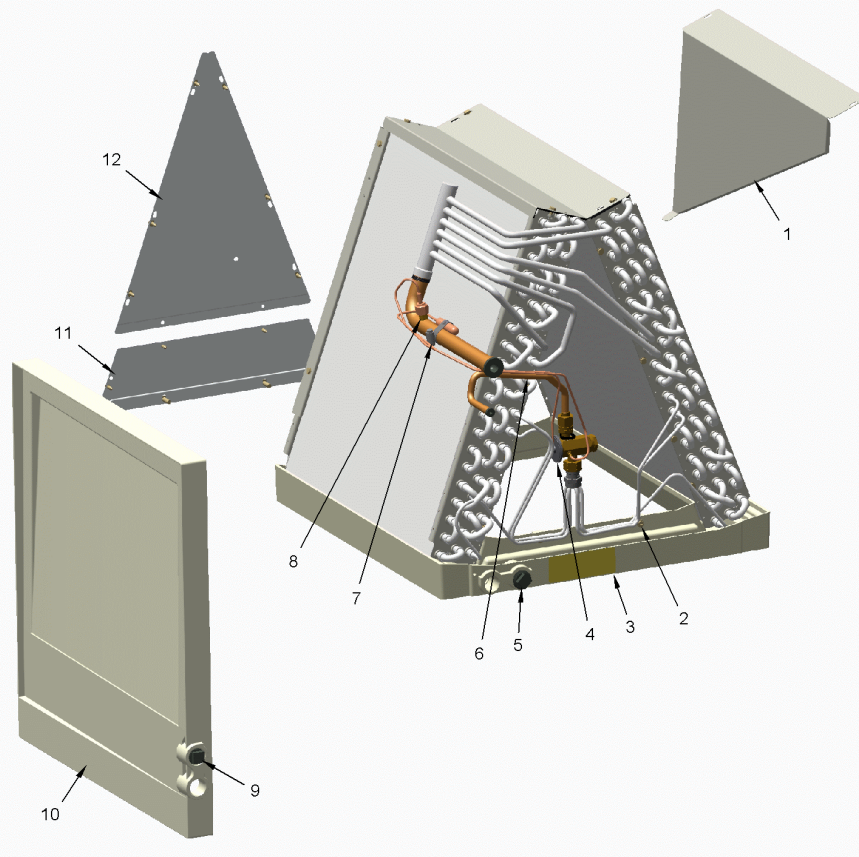
REV
A

**NO
GRAPHIC
AVAILABLE**

COIL

75011281

REV.
A



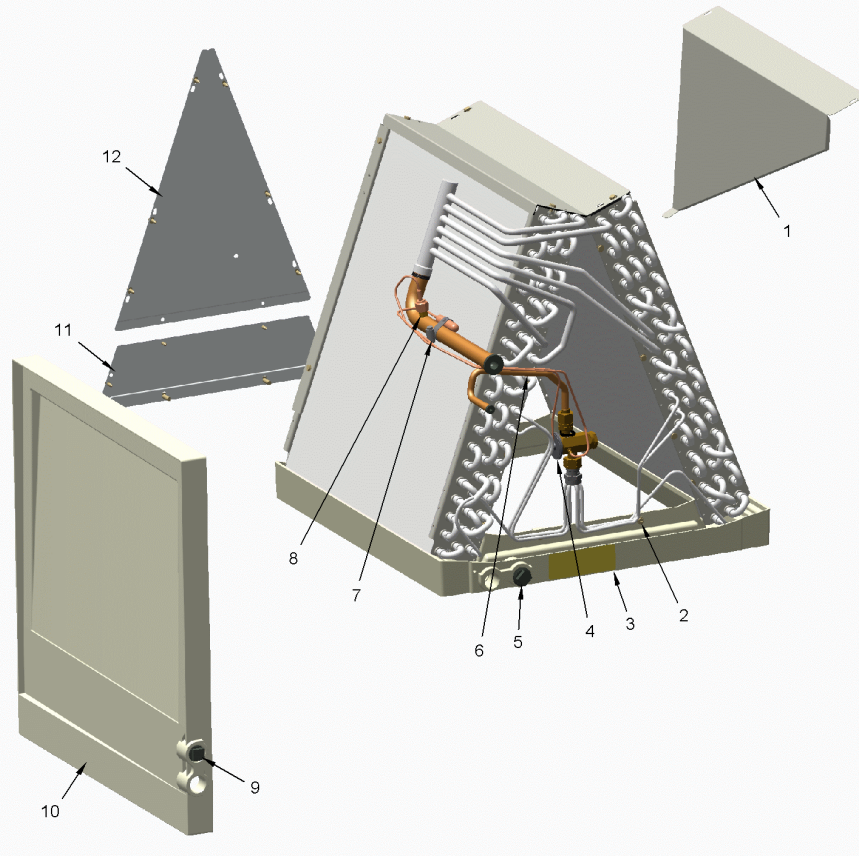
This is a typical illustration. The unit in the field may not appear exactly as shown.

Part No.	Reference No.	Quantity	Description
75011281_4TXCUP6_336700~P	*		COIL PARTS LIST

COIL

75011281

REV.
A



This is a typical illustration. The unit in the field may not appear exactly as shown.

COIL PARTS LIST

Parts List Number :4TXC6#4TXCUP6

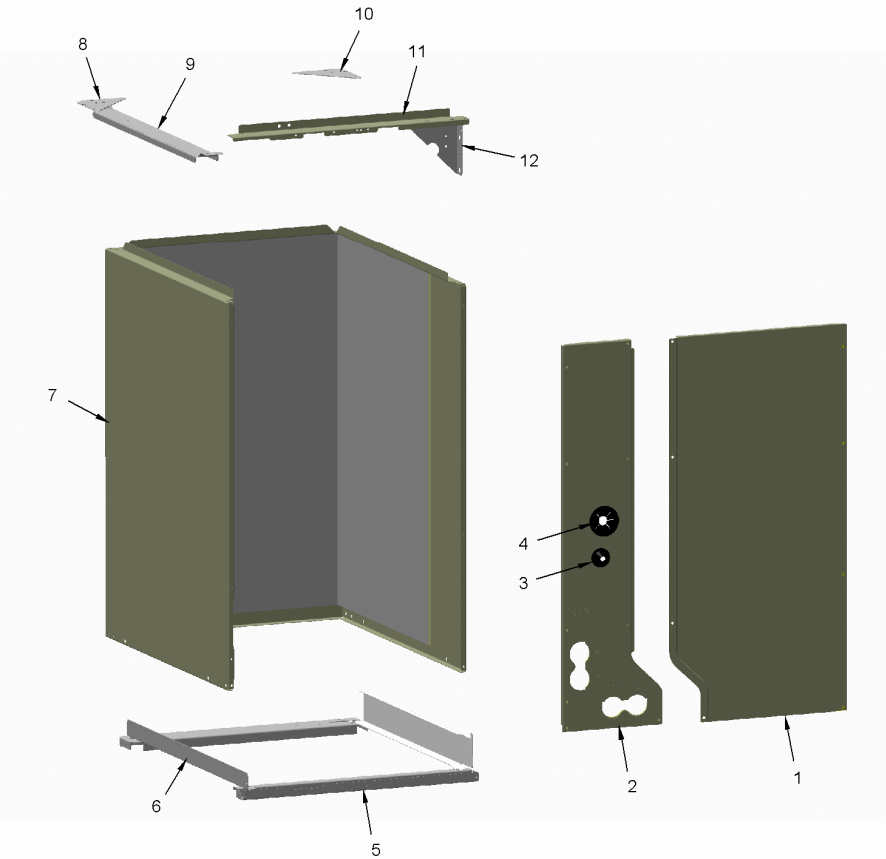
Model Number :4TXCB006DS3HCAA

Part No.	Reference No.	Quantity	Description
4TXCB006DS3HCA	*	1	COIL; ASSEMBLY, WITH DRAIN PAN
BAF01201	*	1	BAFFLE; DRAIN, 1.27 X 20.75, V-SHAPED CHANNEL
GRD00938	*	1	GUARD; SPLASH, 19.29 X 8.00
KIT17350	*	1	KIT; BAG ASSEMBLY 4 SCREWS AND 4 INSULATORS
SCR00965	*	28	SCREW, 10-16 AB HXW 1/2 S N
BAF01223	1	1	BAFFLE; TOP, 17.88 X 10.00 X 2.00 TRIANGULAR GALVANIZED SHEET METAL
SCR00969	2	4	SCREW;10-16 BT HXW 5/8 S
PAN03216	3	1	PAN; DRAIN PAN ASSEMBLY, PLASTIC,16.28 X 21.10 X 2.54
VAL12309	4	1	VALVE; TXV CHATLEFF, 6 TON, 79 PSIG OUTLET AT 32F, 15 PERCENT BLEED
PLU00457	5	1	PLUG; DRAIN PAN
TUB13777	6	1	TUBE; ASSEMBLY, LIQUID. INCLUDES FLANGE FITTING, HEX NUT AND INLET SCREEN
CMP01450	7	1	CLAMP; HOSE, 11/16 - 1-1/4, 1/2 W, 5/16 HEX SCREW, STAINLESS STEEL
BOD00114	8	1	BODY; VALVE, BRASS, 7/16 HEX, 7/16 -20 UNF-2A
PLU00457	9	1	PLUG; DRAIN PAN
PAN03221	10	1	PAN; SECONDARY DRAIN PAN ASSEMBLY, PLASTIC, 25.48 X 21.10 X 1.50
PLT05393	11	2	PLATE; COIL BAFFLE-LOWER, 10.49 L X 3.50 H
PLT05406	12	2	PLATE; COIL BAFFLE, TOP, 9.21 W X 20.04 H

COIL CABINET

75011277

REV.
A



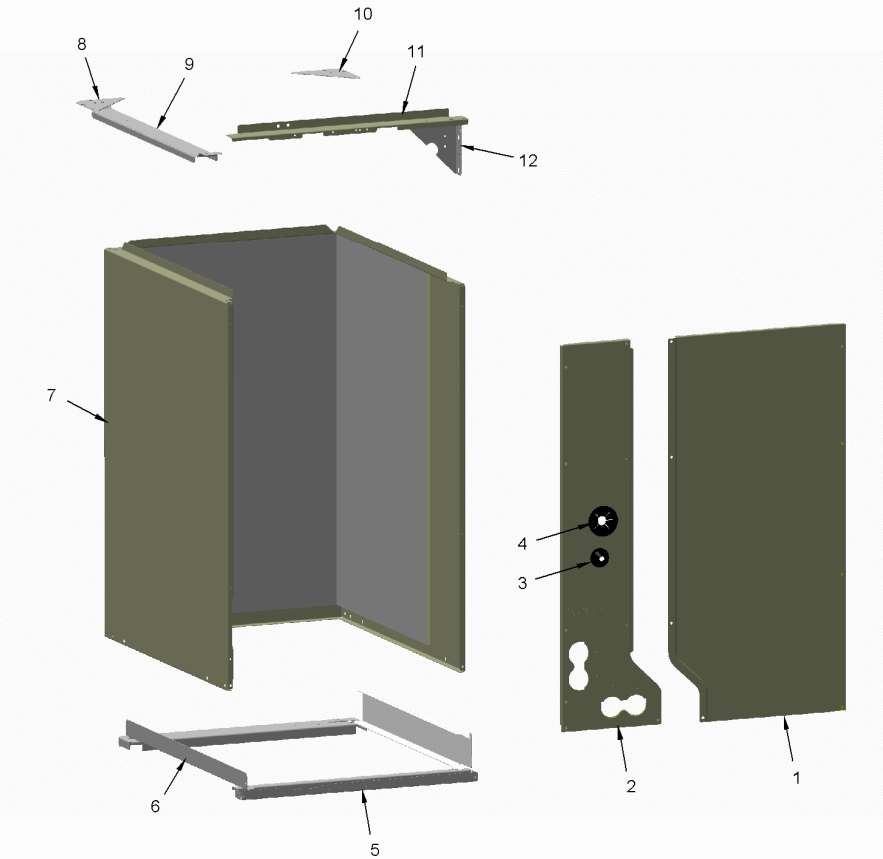
This is a typical illustration. The unit in the field may not appear exactly as shown.

Part No.	Reference No.	Quantity	Description
75011277_4TXCUP6_336699~P	*		CABINET PARTS LIST

COIL CABINET

75011277

REV.
A



This is a typical illustration. The unit in the field may not appear exactly as shown.

Part No.	Reference No.	Quantity	Description
INS02506	1	1	INSULATION; FRONT
PNL21802	1	1	PANEL; RIGHT FRONT WITH INSULATION, 26.65 X 13.10. FOR PANEL ONLY ORDER PNL17603.
PNL31867	2	1	PANEL; MANIFOLD, 26.59 X 7.15, INCLUDES (1) GRM00863 & (1) GRM00864
GRM00864	3	1	GROMMET; CONE GROMMET, LIQUID LINE
GRM00863	4	1	GROMMET; SUCTION GROMMET
SUP04114	5	1	SUPPORT; ANGLE, 17.44 X 10.25 X 0.80
ANG01172	6	1	ANGLE;
PNL21249	7	1	PANEL; WRAPPER, 21.36 L X 17.50 W X 26.75 H, W/O INSULATION
BRK01730	8	1	BRACKET;
ANG00693	9	1	ANGLE;
BRK01730	10	1	BRACKET;
CNL00442	11	1	CHANNEL;
BRK01706	12	1	BRACKET;ANGLE ASSEMBLY

MODEL NUMBER DESCRIPTION

75010729

REV.
A

Heat Pump / Cooling Coils

Example Model Number:

4 T X C B 0 3 6 A C 3 H C A A
1 - - - 5 - - - 10 - - - 15

Digit 1 – Refrigerant Type

4 = R-410A

Digit 2 – Series

T = Premium (Heat Pump)
N = Premium (Cooling and HP)
P = Premium High Efficiency - Dedicated
position (Cooling and HP)
C = Standard (Cooling Only)
F = Entry Level (Cooling Only)

Digit 3 – Coil Design

X = Direct Expansion Evaporator Coil

Digit 4 – Coil Feature

C = Cased A Coil
A = Uncased A Coil
F = Cased Horizontal Flat Coil

Digit 5 – Coil Width (Cased/Uncased)

A = 14.5" / 13.3"
B = 17.5" / 16.3"
C = 21.0" / 19.8"
D = 24.5" / 23.3"
H = 10.5"

Digit 6 – Refrigerant Line Coupling / Airflow Configuration

0 = Brazed
U = Upflow only, convertible to Horizontal Left
D = Downflow only, convertible to Horizontal
Right

Digits 7,8 – Nominal Capacity in 1000's (BTUH) / Model Number Distinguisher

Digit 9 – Major Design Change

Digit 10 – Efficiency

C = Standard
S = High Efficiency (derived from 10 SEER
products)
Z = High Efficiency (TXV modulates to 50%)

Digit 11 – Refrigerant Control

3 = TXV - Non-Bleed

Digit 12 – Coil Circuitry

H = Heat Pump
C = Cooling

Digit 13 – Airflow Configuration

A = Upflow
U = Upflow / Downflow
D = Downflow
R = Downflow / Horizontal Right
H = Horizontal Left / Right
C = Convertible - Upflow, Downflow,
Left or Right

Digit 14 – Minor Design Change

Digit 15 – Service Digit, Not Orderable

Part No.	Reference No.	Quantity	Description
75010729_4TXCUP6_120087~P	*		MODEL NUMBER DESCRIPTION PARTS LIST

MODEL NUMBER DESCRIPTION

75010729

REV.
A

Heat Pump / Cooling Coils

Example Model Number:

4 T X C B 0 3 6 A C 3 H C A A
1 - - - 5 - - - 10 - - - 15

Digit 1 – Refrigerant Type

4 = R-410A

Digit 2 – Series

T = Premium (Heat Pump)
N = Premium (Cooling and HP)
P = Premium High Efficiency - Dedicated
position (Cooling and HP)
C = Standard (Cooling Only)
F = Entry Level (Cooling Only)

Digit 3 – Coil Design

X = Direct Expansion Evaporator Coil

Digit 4 – Coil Feature

C = Cased A Coil
A = Uncased A Coil
F = Cased Horizontal Flat Coil

Digit 5 – Coil Width (Cased/Uncased)

A = 14.5" / 13.3"
B = 17.5" / 16.3"
C = 21.0" / 19.8"
D = 24.5" / 23.3"
H = 10.5"

Digit 6 – Refrigerant Line Coupling / Airflow Configuration

0 = Brazed
U = Upflow only, convertible to Horizontal Left
D = Downflow only, convertible to Horizontal
Right

Digits 7,8 – Nominal Capacity in 1000's (BTUH) / Model Number Distinguisher

Digit 9 – Major Design Change

Digit 10 – Efficiency

C = Standard
S = High Efficiency (derived from 10 SEER
products)
Z = High Efficiency (TXV modulates to 50%)

Digit 11 – Refrigerant Control

3 = TXV - Non-Bleed

Digit 12 – Coil Circuitry

H = Heat Pump
C = Cooling

Digit 13 – Airflow Configuration

A = Upflow
U = Upflow / Downflow
D = Downflow
R = Downflow / Horizontal Right
H = Horizontal Left / Right
C = Convertible - Upflow, Downflow,
Left or Right

Digit 14 – Minor Design Change

Digit 15 – Service Digit, Not Orderable

Part No.	Reference No.	Quantity	Description
OPTIONS_4TXCUP6_120101~P	*		OPTIONAL R22 TXV KIT PARTS LIST

NO GRAPHIC AVAILABLE

75013702

REV
A

**NO
GRAPHIC
AVAILABLE**

Part No.	Reference No.	Quantity	Description
2AYTXVH3H4248A	*	1	KIT; FIELD MOUNTED TXV (R-22)
BAYGSKT001A0	*	1	KIT-DOWNFLOW INSULATE GSK