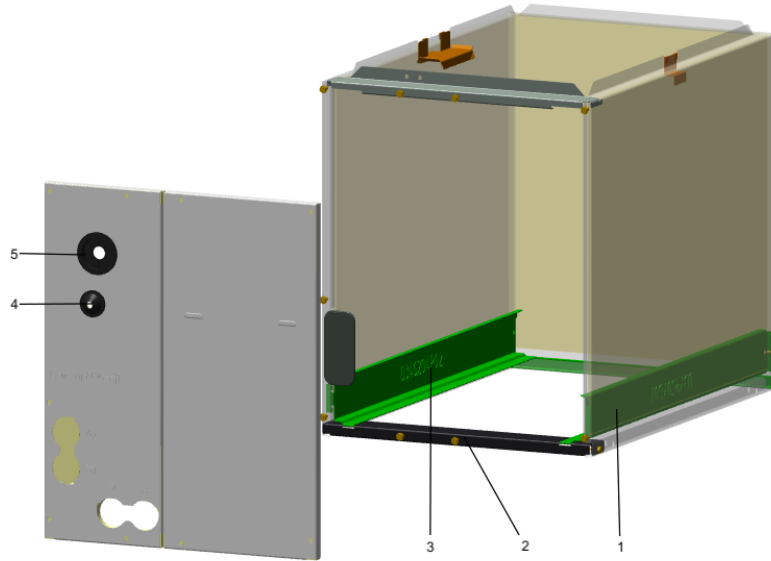


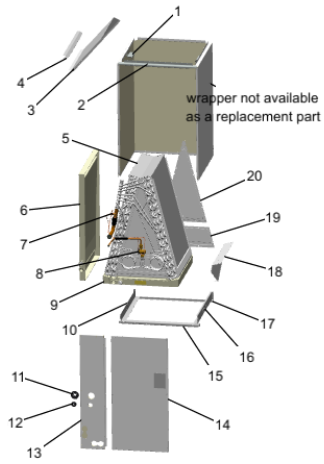
<b>Part No.</b>	<b>Reference No.</b>	<b>Quantity</b>	<b>Description</b>
0000195457~S	*		CABINET
0000195463~S	*		COIL

Part No.	Reference No.	Quantity	Description
0000053521~P	*		CASED COIL CABINET PARTS LIST



<b>Part No.</b>	<b>Reference No.</b>	<b>Quantity</b>	<b>Description</b>
INS03101		1	INSULATION; ALUMINUM FASED FIBERGLASS, 56.8 X 16.5
SCR00965		4	SCREW, 10-16 AB HXW 1/2 S N
SUP06651		1	SUPPORT; COIL SHIELD
SUP06650	1	1	SUPPORT; COIL SHIELD
BRK05156	2	1	BRACKET; BOTTOM
GRM00864	3	1	GROMMET; CONE GROMMET, LIQUID LINE
GRM00863	4	1	GROMMET; SUCTION GROMMET

Part No.	Reference No.	Quantity	Description
0000046425~P	*		COIL PARTS LIST



Part No.	Reference No.	Quantity	Description
CMP01450	*	1	CLAMP; HOSE, 11/16 - 1-1/4, 1/2 W, 5/16 HEX SCREW, STAINLESS STEEL
SCR00965	*	18	SCREW, 10-16 AB HXW 1/2 S N
SCR00969	*	4	SCREW;10-16 BT HXW 5/8 S
TIE00026	*	1	TIE; CABLE, 8-1/2IN.
BOD00114	7	1	BODY; VALVE, BRASS, 7/16 HEX, 7/16 -20 UNF-2A
VAL12849	8A	1	VALVE; TEV HXCE 3 ZX200 B15 R410A
PAN03215	9	1	PAN; DRAIN PAN ASSEMBLY, PLASTIC, 13.28 X 21.10 X 2.54
PLU00457	9A	1	PLUG; DRAIN PAN