

SPLIT SYSTEM COOLING

75011195

REV.
A



This is a typical illustration. The unit in the field may not appear exactly as shown.

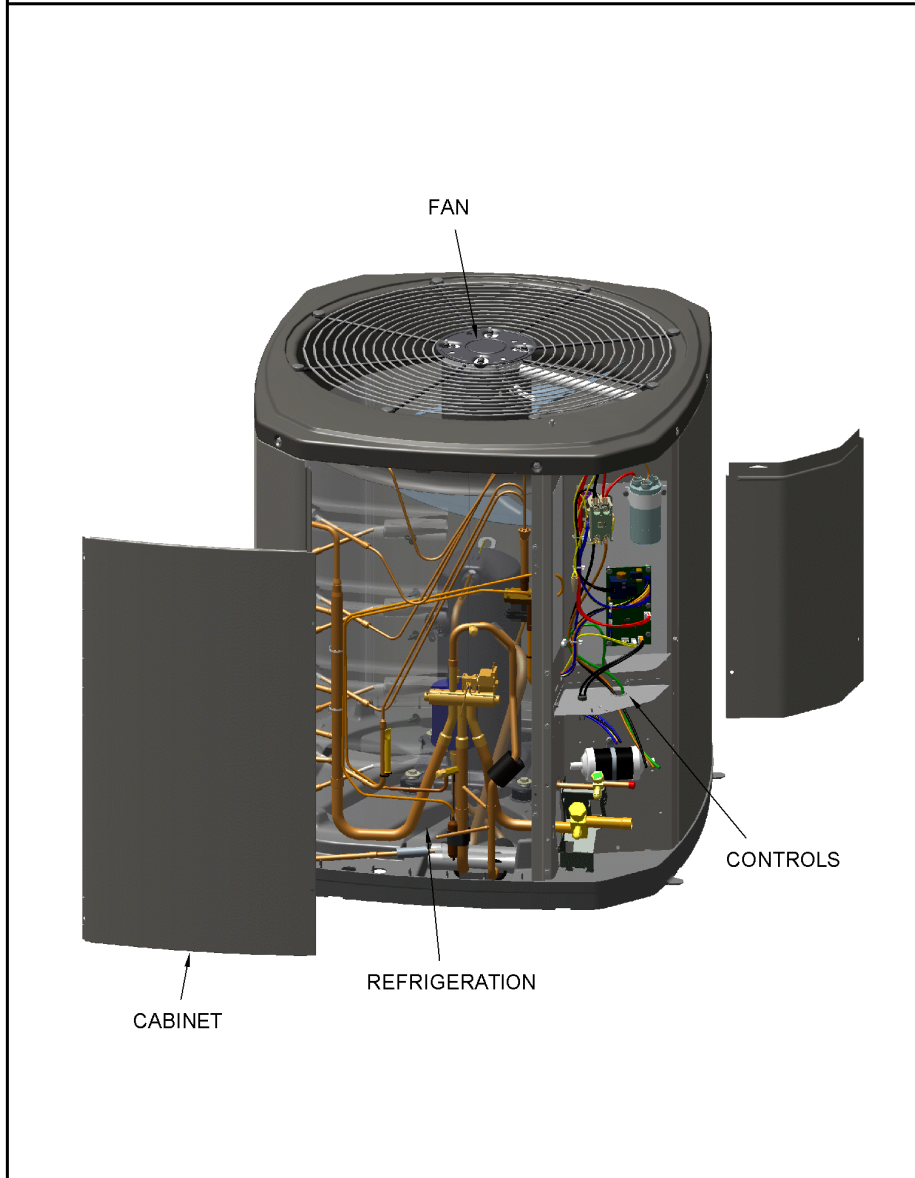
Part No.	Reference No.	Quantity	Description
75006805#4TWR7UP1~S	*		CABINTRY
75010119#4TWR7UP1~S	*		CONTROLS
75005599#4TWR7UP1~S	*		FAN
75005586#4TWR7UP1~S	*		MODEL NUMBER DESCRIPTION
OPTIONS#4TWR7UP1~S	*		OPTIONAL FIELD INSTALLED ACCESSORIES
75009223#4TWR7UP1~S	*		REFRIGERATION
75011195_4TWR7UP1_116094~P	*		SPLIT SYSTEM HEAT PUMP PARTS LIST

SPLIT SYSTEM HEAT PUMP

75010773

REV.
A

TYPICAL ILLUSTRATION

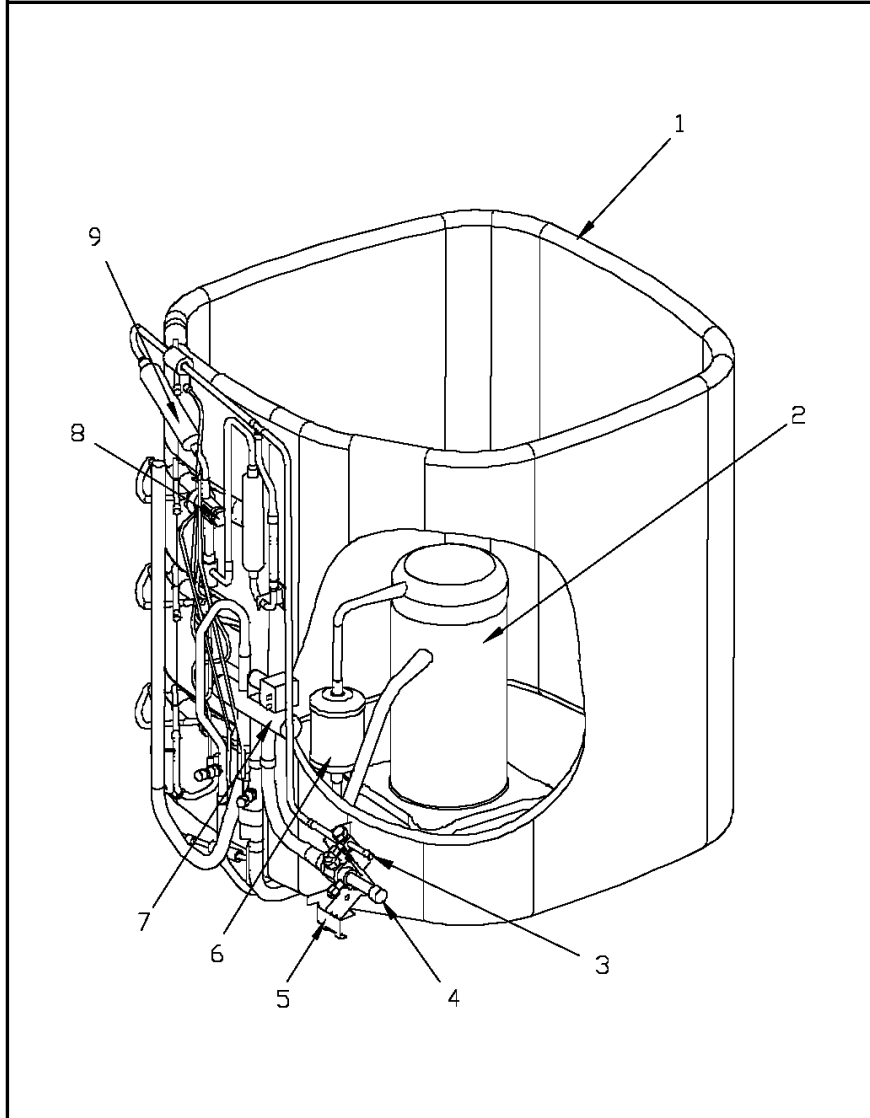


REFRIGERATION

75009223

REV
A

Typical Illustration. Unit may not appear exactly as shown.



Parts List Number :75011195#4TWR7UP1

Model Number :4TWR7024A1000DA

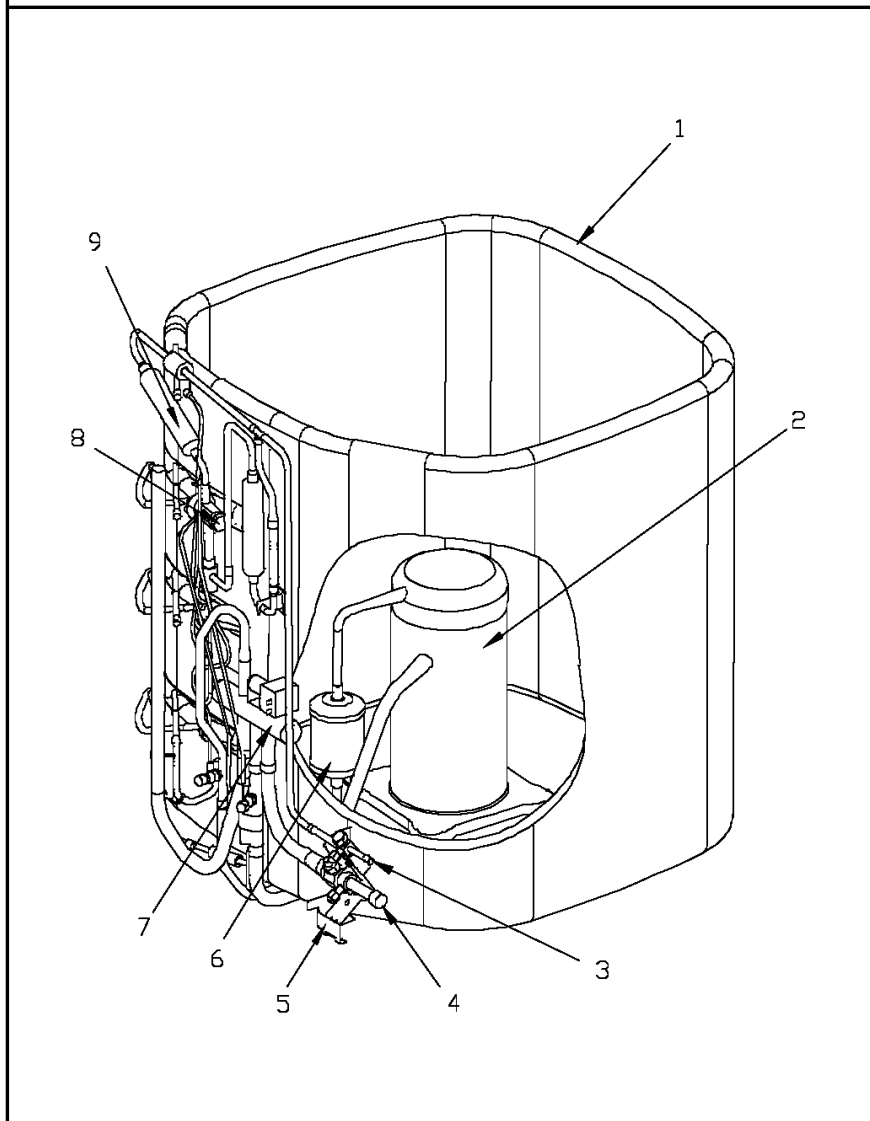
Part No.	Reference No.	Quantity	Description
75009223_4TWR7UP1_338876-P	*		REFRIGERATION PARTS LIST

REFRIGERATION

75009223

REV
A

Typical Illustration. Unit may not appear exactly as shown.



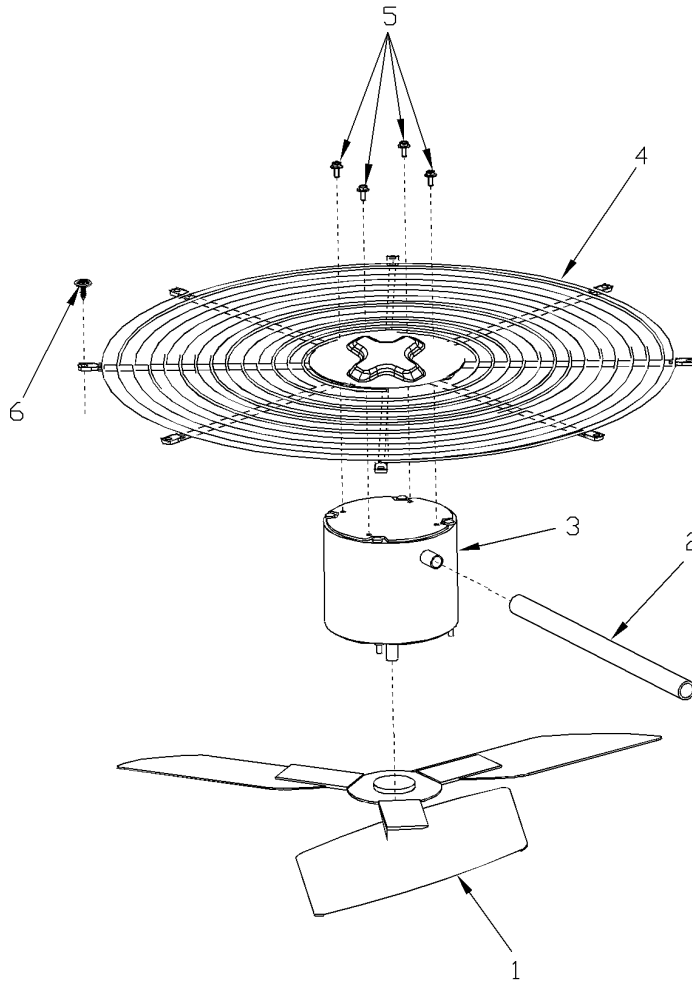
Part No.	Reference No.	Quantity	Description
ACC00169	*	1	ACCUMULATOR; .877 INLET, 9.94 L
BOD00114	*	2	BODY; VALVE, BRASS, 7/16 HEX, 7/16 -20 UNF-2A
CLP00185	*	1	CLIP; TDL
CLP01101	*	1	CLIP; TUBE, BLACK PLASTIC
COR00103	*	2	CORE; VALVE, .79 LENGTH, .206-36 UNS-1 MOD. THD
DHY01452	*	1	DRIER; BI-FLOW; SERVICE FIRST; 16 CU. IN; DCB163S, 3/8 ODF CONNECTIONS; 5.7 TON CAPACITY; APPROVED FOR MINERAL OIL AND POE OIL REFRIGERANTS; MANUFACTU
HTR15994	*	1	HEATER; CRANKCASE, 40 WATT, 230V, 5.50 DIA
ISR00007	*	4	ISOLATOR; VIBRATION
KIT08369	*	1	KIT; CORE, (KIT CONTAINS COR00006 VALVE PORT AND COR00092 CORE BODY)
MNT00479	*	1	MOUNT; VIBRATION ISOLATOR, COMPRESSOR
PLU00972	*	1	PLUG; COMPRESSOR SOLENOID
SCR01914	*	4	SCREW, ASSEMBLY COMPRESSOR, 5/16-12 TYPE B, W/WASHER & SLEEVE
SEN01587	*	1	SENSOR; EEV, 0.750 TUBE, SUCTION LINE TEMPERATURE SENSOR, 32 IN BLACK WIRES
SPC00386	*	1	SPACER; BASE, 5.50 X 1.00 X 0.50
SWT03273	*	1	SWITCH, HIGH PRESSURE, SPST, OPEN @ 650 PSIG, CLOSE @ 500 PSIG, 88" YELLOW LEAD
SWT03375	*	1	SWITCH; LOW PRESSURE, OPEN @ 35 PSIG CLOSE @ 55 PSIG
WIR03325	*	1	WIRE, PLUG-SCROLL COMPRESSOR
COL16438	1	1	COIL; SPINE FIN-5 SIDED
COM11904	2	1	COMPRESSOR; SCROLL, ALLIANCE, TXA020C1CTA, 1.6 TONS, 208/230/60/1, R410A, 3/4 SUCTION, 1/2 DISCHARGE, BRAZED-STUB TUBE
VAL09302	3	1	VALVE, SERVICE LIQUID, .31 ODF X .38 ODF
VAL11186	4	1	VALVE; SERVICE GAS
BRK03020	5	1	BRACKET; VALVE
MFL00806	6	1	MUFFLER; 1/2 ODF CONNECTION (DRIER COULD BE PAINTED EITHER SMOKE GRAY OR NAVY BLUE)
VAL08991	7	1	VALVE; SWITCHOVER, 3 TON, .50 IDF X .75 OD, W/ 24V SOLENOID COIL
VAL11172	8	1	VALVE; EEV, 1.3 MM, FOR 2 TON

FAN

75005599

REV
A

Typical Illustration. Unit may not appear exactly as shown.



Parts List Number :75011195#4TWR7UP1

Model Number :4TWR7024A1000DA

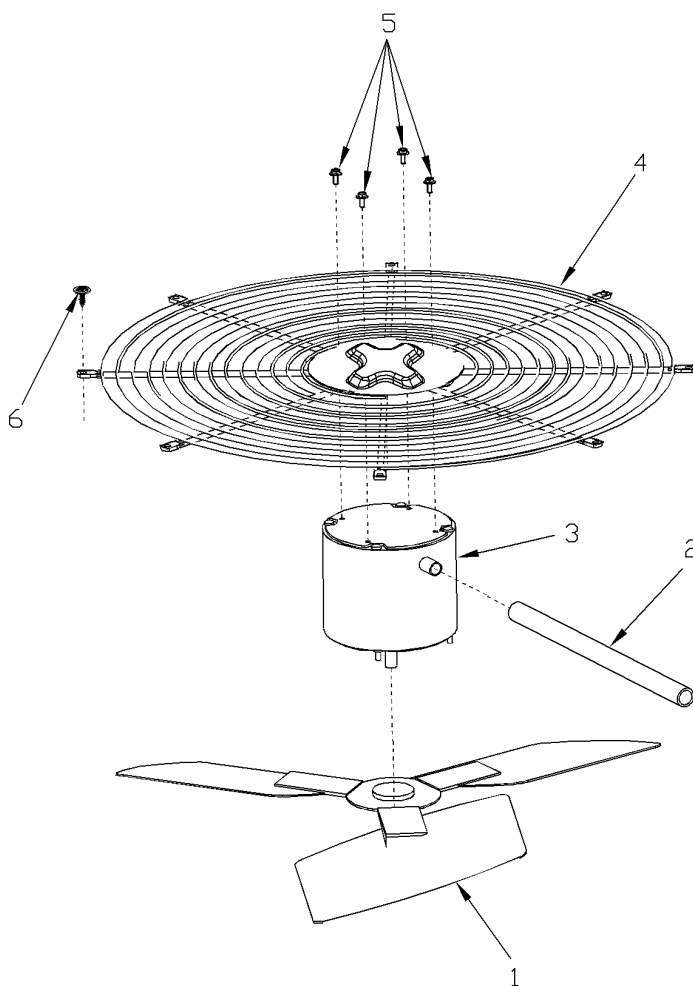
Part No.	Reference No.	Quantity	Description
75005599_4TWR7UP1_178371-P	*		FAN PARTS LIST

FAN

75005599

REV
A

Typical Illustration. Unit may not appear exactly as shown.



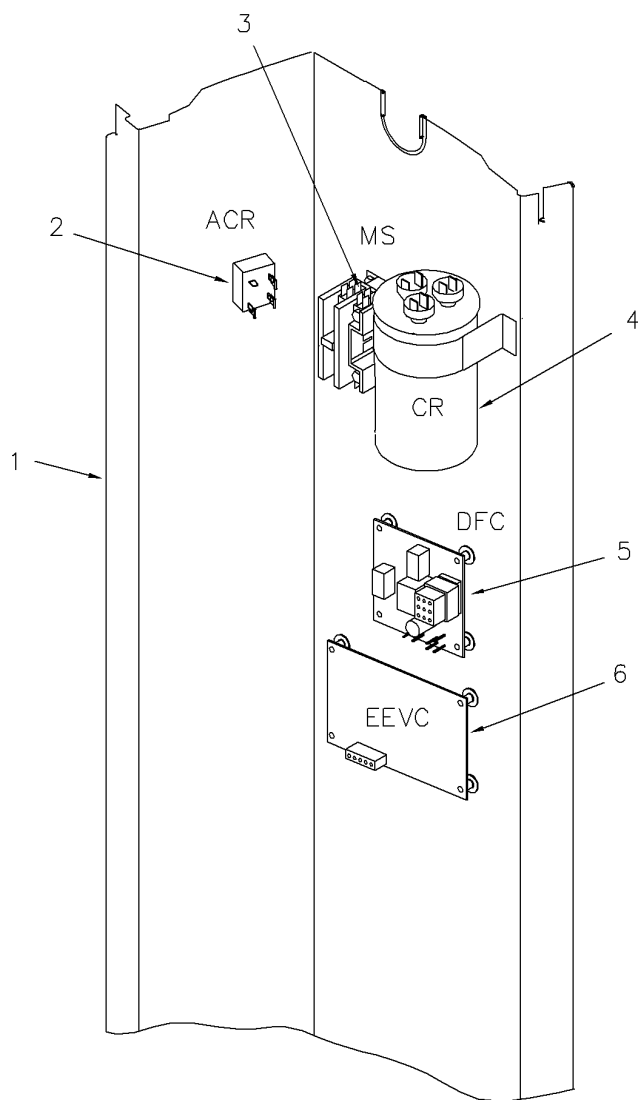
Part No.	Reference No.	Quantity	Description
COV03250	*	1	COVER; MOTOR, 6.86 DIA
FAN04231	1	1	FAN, 2 SWEPT BLADE, 27.5" DIA, 17 DEGREES PITCH, .50" BORE, CCW, ALUMINUM, 1 SET SCREW-STEEL, SPIDER .075 THK
GRD01416	2	1	GUARD, TROUGH-LEAD
MOT14328	3	1	MOTOR; 1/8 HP, 200/230/60/1, 825 RPM, 48 FRAME, PSC, SLEEVE BEARING, CCW, 5 MFD CPT @ 370V
GRL01348	4	1	GRILLE; FAN, 29 IN DIA, SPIRAL WIRE, BASALT GREY
SCR02086	5	4	SCREW; 10-32 TR-3 HXW 3/8 S

Controls

75010119

REV
A

Typical illustration. Unit may not appear exactly as shown.



Parts List Number :75011195#4TWR7UP1

Model Number :4TWR7024A1000DA

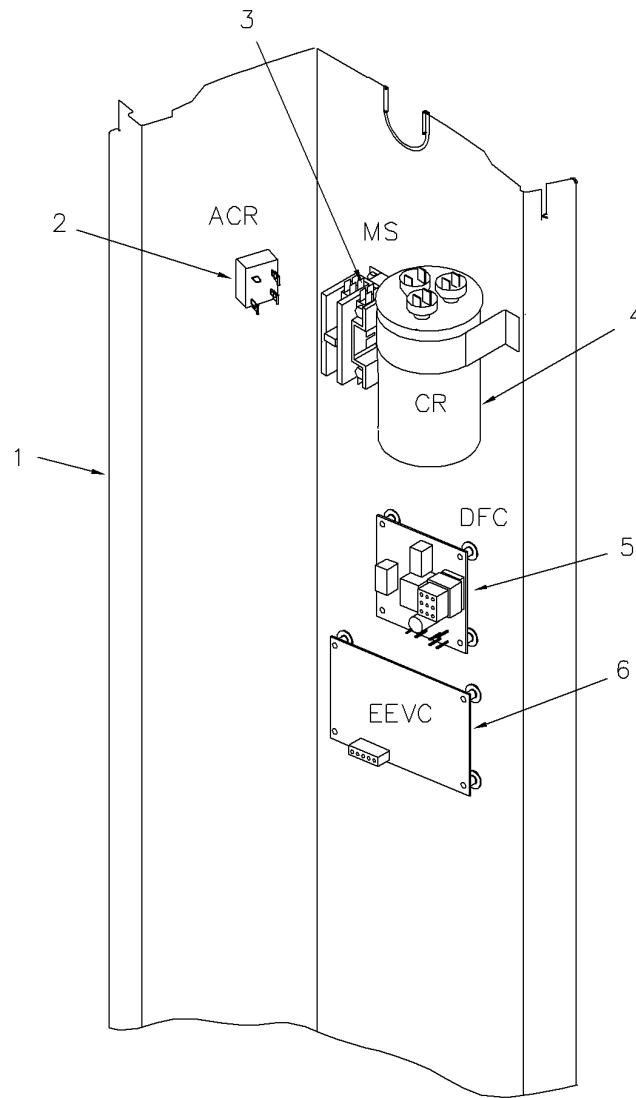
Part No.	Reference No.	Quantity	Description
75010119_4TWR7UP1_309023-P	*		CONTROLS PARTS LIST

Controls

75010119

REV
A

Typical illustration. Unit may not appear exactly as shown.



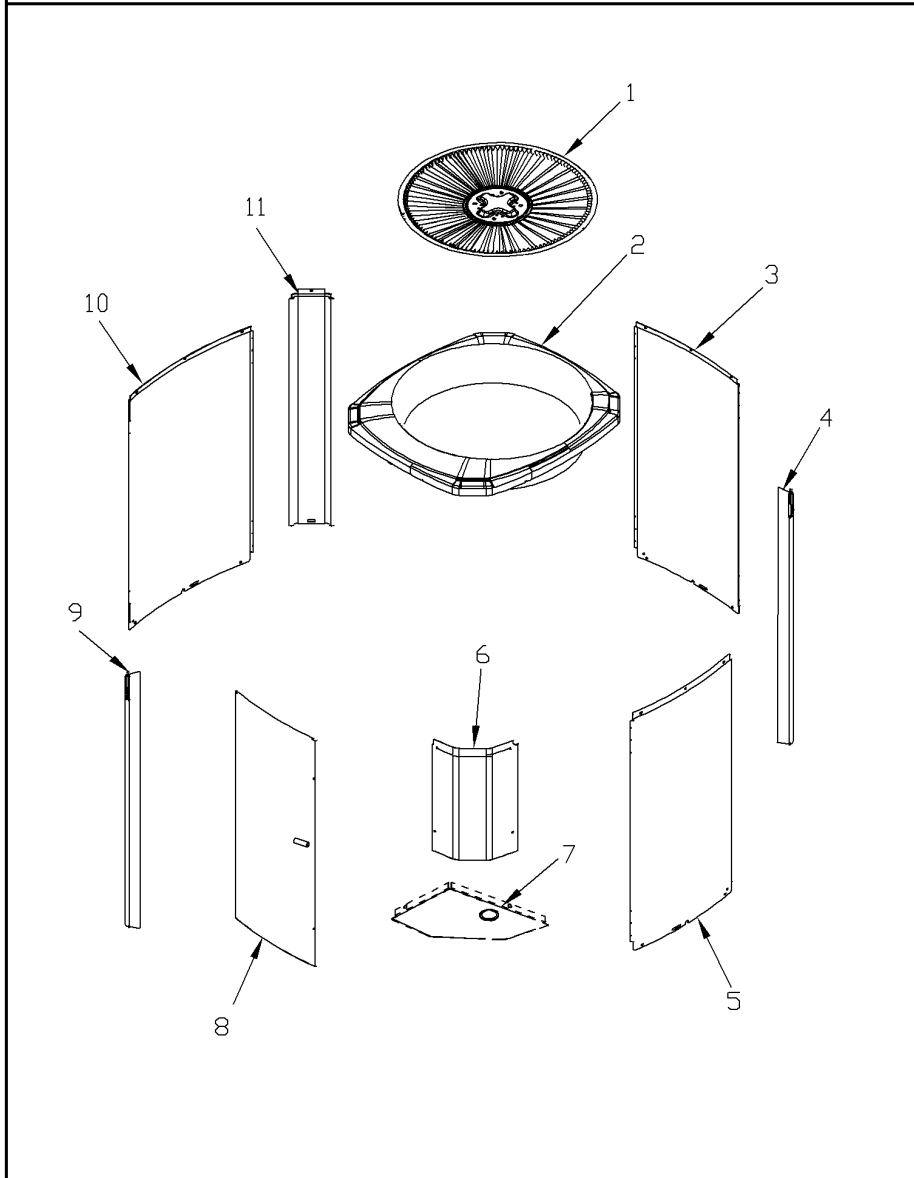
Part No.	Reference No.	Quantity	Description
CLP01039	*	1	CLIP; STRAIN RELIEF
COL15628	*	1	COIL; MOTOR ASM-EEV, STATOR (SC)
CON00241	*	3	CONNECTOR; WIRE
CPL00185	*	1	COUPLING;QUICK CONNECT (CPD)
RES00118	*	2	RESISTOR; THERMISTOR , 260 OHMS AT 75 DEGREE F
SEN01541	*	1	SENSOR; ASSEMBLY, 9.75K OHMS AT 75F, YELLOW LEADS (CBS-COIL SENSOR)
SEN01637	*	1	SENSOR; ASSEMBLY, (CBS), 19-BK AND 21-BK IN LEAD LENGTH
SHD00386	*	2	SHIELD; MOISTURE, 12.75 X 5.00
SHD00387	*	2	SHIELD; MOISTURE, 10.25 X 4.00
TDR00365	*	1	TRANSDUCER, FOUR PIN OUTDOOR PRESSURE SENSOR, SUCTION LINE
THT02243	*	1	THERMOSTAT, TERMINATOR, 240V, SPST, OPEN @ 105 DEGREE F, CLOSE @ 73 DEGREE F
WIR09433	*	1	WIRE; HARNESS-CONTROL PANEL
PNL13029	1	1	PANEL, CONTROL PANEL BASE, 39.14 HEIGHT
RTF00058	2	1	RECTIFIER; BRIDGE
CTR00845	3	1	CONTACTOR; 30 AMP, 240/480/600V, 24V COIL, 1 POLE
CPT00977	4	1	CAPACITOR; DUAL, 35/5 MFD, 440V, ROUND, W/O RESISTOR
CNT05010	5	1	CONTROL; DEFROST
CNT06421	6	1	CONTROL; EEV BOARD ASSEMBLY

CABINETY

75006805

REV
A

Typical Illustration. Unit may not appear exactly as shown.



Parts List Number :75011195#4TWR7UP1

Model Number :4TWR7024A1000DA

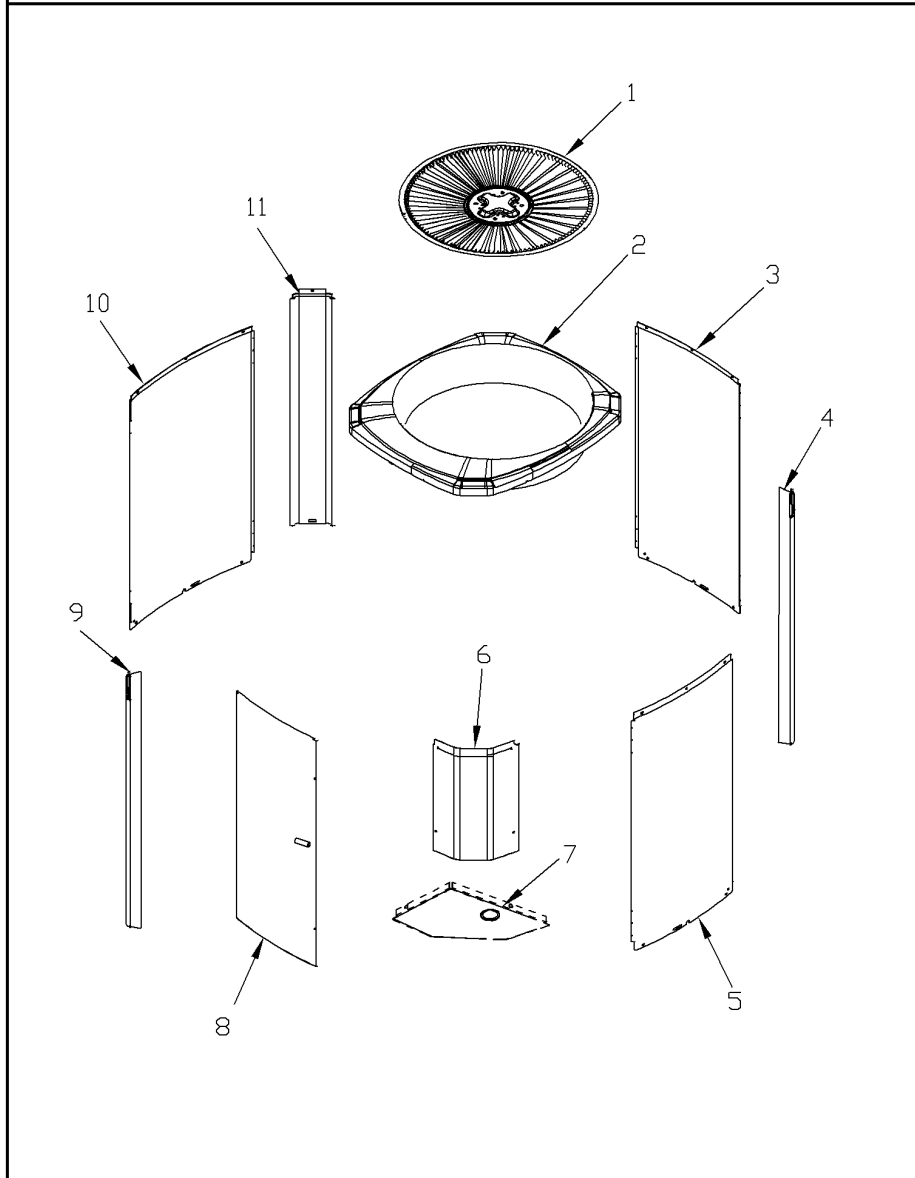
Part No.	Reference No.	Quantity	Description
75006805_4TWR7UP1_178373-P	*		CABINERY PARTS LIST

CABINETY

75006805

REV
A

Typical Illustration. Unit may not appear exactly as shown.



Parts List Number :75011195#4TWR7UP1

Model Number :4TWR7024A1000DA

Part No.	Reference No.	Quantity	Description
BAS01834	*	1	BASE; 41.78 X 41.81 DIAGONALLY
PAI00246	*	1	PAINT; SPRAY, TARPAULIN GRAY (SHIPPING UOM 12 OZ HAZ)
PAI00248	*	1	PAINT; 12 OZ SPRAY, ANTHRACITE GRAY (SHIPPING UOM 12 OZ HAZ)
SCR02010	*	19	SCREW; 12-18 AB HXW 1/2 SN
GRL01348	1	1	GRILLE; FAN, 29 IN DIA, SPIRAL WIRE, BASALT GREY
COV03396	2	1	COVER; TOP
PNL13009	3	1	PANEL, WRAPPER, 23.22 X 37.33
PNL13006	4	1	PANEL, CORNER POST, 3.570 X 37.33
PNL13009	5	1	PANEL, WRAPPER, 23.22 X 37.33
COV03399	6	1	COVER; CONTROLS, 26.11 X 11.32
COV03228	7	1	COVER, CONTROL BOTTOM
PNL13159	8	1	PANEL; ACCESS, 19.88 X 36.65
PNL13006	9	1	PANEL, CORNER POST, 3.570 X 37.33
PNL13158	10	1	PANEL; WRAPPER, 27.13 X 37.33
PNL13006	11	1	PANEL, CORNER POST, 3.570 X 37.33

MODEL NUMBER DESCRIPTION
OUTDOOR UNITS

75005586

REV
E

Example Model Number:

4 T W V 0 0 3 6 A 1 0 0 0 A A
1 - - - - 5 - - - - 10 - - - - 15

Digit 1 – Refrigerant Type

2 = R-22
4 = R-410A

Digit 2 – Trane

Digit 3 – Product Type

W = Split Heat Pump
T = Split Cooling

Digit 4 – Product Family

V = Variable Speed
Z = Leadership - Two Stage
X = Leadership
R = Replacement/Retail
M or B = Basic
A = Light Commercial
L = Side Discharge
S = Side Discharge 3 Phase

Digit 5 – Family SEER

3 = 13 7 = 17
4 = 14 8 = 18
5 = 15 9 = 19
6 = 16 0 = 20

Digits 6 – Split System Connections 1-6 Tons

0 = Brazed

Digits 7,8 – Nominal Capacity in 000s BTUs

Digit 9 – Major Design Modifications

Digit 10 – Power Supply

1 = 200-230/1/60 or 208-230/1/60
3 = 200-230/3/60
4 = 460/3/60
5 = 400/3/60
A = 220-240/1/50
D = 380-415/3/50

Digit 11,12,13 – Secondary Function

Digit 14 – Minor Design Modifications

Digit 15 – Unit Parts Identifier

Part No.	Reference No.	Quantity	Description
75005586_4TWR7UP1_116095-P	*		MODEL NUMBER DESCRIPTION PARTS LIST

MODEL NUMBER DESCRIPTION

75005586

REV
D

OUTDOOR UNITS

Example Model Number:

4 TWV 00 3 6 A 1 0 0 0 A A
1 - - - 5 - - - 10 - - - 15

Digit 1 – Refrigerant Type

2 = R-22
4 = R-410A

Digit 2 – Trane

Digit 3 – Product Type

W = Split Heat Pump
T = Split Cooling

Digit 4 – Product Family

V = Variable Speed
Z = Leadership - Two Stage
X = Leadership
R = Replacement/Retail
M or B = Basic
A = Light Commercial
L = Side Discharge

Digit 5 – Family SEER

3 = 13 7 = 17
4 = 14 9 = 19
5 = 15 9 = 19
6 = 16 0 = 20

Digits 6 – Split System Connections 1-6 Tons

0 = Brazed

Digits 7,8 – Nominal Capacity in 000s BTUs

Digit 9 – Major Design Modifications

Digit 10 – Power Supply

1 = 200-230/1/60 or 208-230/1/60
3 = 200-230/3/60
4 = 460/3/60

Digit 11,12,13 – Secondary Function

Digit 14 – Minor Design Modifications

Digit 15 – Unit Parts Identifier

Parts List Number :75011195#4TWR7UP1

Model Number :4TWR7024A1000DA

Part No.	Reference No.	Quantity	Description
OPTIONS_4TWR7UP1_178383~ P	*		OPTIONAL FIELD INSTALLED ACCESSORIES PARTS LIST

NO GRAPHIC AVAILABLE

75013702

REV
A

**NO
GRAPHIC
AVAILABLE**

Parts List Number :75011195#4TWR7UP1

Model Number :4TWR7024A1000DA

Part No.	Reference No.	Quantity	Description
BAYKSKT263	*	1	KIT; COMPRESSOR START KIT
KIT05354	*	1	KIT; TIME DELAY (TAYASCT501A) - 5 MINUTE RELAY ONLY IS RLY01343
KIT07731	*	1	KIT; SNOW LEGS, CONTAINS (4) 6" MOUNTING LEGS (BAYLEGS002)
KIT07732	*	1	KIT; SNOW LEGS, (4" EXTENSION KIT) (BAYLEGS003)
KIT08036	*	1	KIT; SEA COAST (BAYSEAC001)
KIT08412	*	1	KIT; SOUND ENCLOSURE, (BAYSDEN003), (MODELS WITH SMALL FRAME (QUANTUM) SCROLL COMPRESSORS NO LARGER THAN 16.4" TALL OR 6.6" IN DIAMETER EXCEPT IN CABINET HEIGHTS 25.0" OR SHORTER)
KIT09425	*	1	KIT; ISOLATOR (BAYISLT101) (CONTAINS A QTY OF 5 ISOLATORS)
KIT15190	*	1	KIT; EXTREME MOUNTING CONDITION (BAYECMT004).
PAI00309	*	1	PAINT; DARK BROWN, 12 OZ SPRAY CAN, HERESITE AIR DRY PHENOLIC COATING, VR-554T