

| <b>Part No.</b> | <b>Reference No.</b> | <b>Quantity</b> | <b>Description</b>       |
|-----------------|----------------------|-----------------|--------------------------|
| 0000170010~S    | *                    |                 | CABINET                  |
| 0000170009~S    | *                    |                 | COMPRESSOR               |
| 0000170008~S    | *                    |                 | CONTROLS                 |
| 0000170007~S    | *                    |                 | FAN                      |
| 0000170005~S    | *                    |                 | MODEL NUMBER DESCRIPTION |
| 0000170006~S    | *                    |                 | REFIGERATION             |

| Part No.     | Reference No. | Quantity | Description        |
|--------------|---------------|----------|--------------------|
| 0000038589~P | *             |          | CABINET PARTS LIST |

CABINET

75010774

REV.  
A

TYPICAL ILLUSTRATION



| Part No. | Reference No. | Quantity | Description                                           |
|----------|---------------|----------|-------------------------------------------------------|
| PAI00246 |               | 0        | PAINT; SPRAY, TARPAULIN GRAY (SHIPPING UOM 12 OZ HAZ) |
| SCR02010 |               | 17       | SCREW; 12-18 AB HXW 1/2 SN                            |
| SCR02054 |               | 17       | SCREW; 12-18 AB HXW 1/2 SN                            |
| COV03396 | 1             | 1        | COVER; TOP                                            |
| PNL25809 | 2             | 1        | PANEL; WRAPPER, 23 X 41                               |
| PNL25807 | 3             | 1        | PANEL; CORNER POST, 3.57 X 41.33                      |
| PNL25809 | 4             | 2        | PANEL; WRAPPER, 23 X 41                               |
| COV03399 | 5             | 1        | COVER; CONTROLS, 26.11 X 11.32                        |
| BAS01834 | 6             | 1        | BASE; 41.78 X 41.81 DIAGONALLY                        |
| COV03228 | 7             | 1        | COVER, CONTROL BOTTOM                                 |
| PNL25810 | 8             | 1        | PANEL; ACCESS, 19.84 X 40.65                          |
| PNL25807 | 9             | 1        | PANEL; CORNER POST, 3.57 X 41.33                      |
| PNL25808 | 10            | 1        | PANEL; WRAPPER, 27 X 41.33                            |
| PNL25807 | 11            | 1        | PANEL; CORNER POST, 3.57 X 41.33                      |

COMPRESSOR

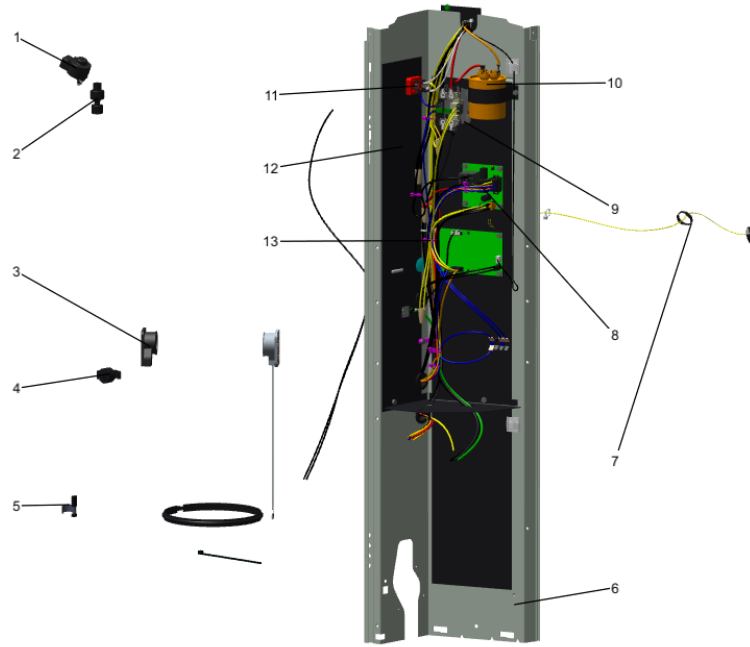
Parts List Number :0000169984

Model Number :4TWR6048N1000AA

| Part No.     | Reference No. | Quantity | Description       |
|--------------|---------------|----------|-------------------|
| 0000037008~P | *             |          | SCROLL COMPRESSOR |

| Part No. | Reference No. | Quantity | Description                                                                                                        |
|----------|---------------|----------|--------------------------------------------------------------------------------------------------------------------|
| COM11907 | 1             | 1        | COMPRESSOR; SCROLL, ALLIANCE, TXA040B1CTA, 3.25 TON, 208V-230V/60/1, R-410A, 7/8 SUCTION, 1/2 DISCHARGE, STUB TUBE |

| Part No.     | Reference No. | Quantity | Description              |
|--------------|---------------|----------|--------------------------|
| 0000036946~P | *             |          | CONTROLS-HEAT PARTS LIST |



| Part No. | Reference No. | Quantity | Description                                                                                              |
|----------|---------------|----------|----------------------------------------------------------------------------------------------------------|
| CNT07029 | *             | 1        | CONTROL; EEV BOARD ASSEMBLY                                                                              |
| CON00241 | *             | 3        | CONNECTOR; WIRE                                                                                          |
| HTR12895 | *             | 1        | HEATER; CRANKCASE, 40 WATT, 230V, 6.5 DIA                                                                |
| PAI00246 | *             | 0        | PAINT; SPRAY, TARPAULIN GRAY (SHIPPING UOM 12 OZ HAZ)                                                    |
| PLU01057 | *             | 1        | PLUG; COMPRESSOR SOLENOID, 2 LEADS, WHITE WIRES, 85 IN LENGTH                                            |
| SCR01089 | *             | 1        | SCREW; 10-24C HXW 3/4 S N                                                                                |
| SCR01812 | *             | 2        | SCREW; 6-32 MA HXW 3/8 S                                                                                 |
| SCR01918 | *             | 8        | SCREW, 10-24 THREAD ROLL, INDENT HEX WASHER HD                                                           |
| SCR01924 | *             | 7        | SCREW; 6-32 X .75, THREAD ROLLING SCREWS-ZINC PLATED, HEX WASHER                                         |
| SEN02352 | *             | 1        | SENSOR; ASSEMBLY, AMBIENT, 19 IN WIRE LENGTH, -40C TO 105C OP TEMP RANGE, 14 IN WIRE LENGTH, BLACK WIRES |
| SRP00093 | *             | 1        | STRAP;CAPACITOR                                                                                          |
| THT02681 | *             | 1        | THERMOSTAT; TERMINATOR, 240V, SPST, OPEN AT 105F, CLOSE AT 73F, PR/WH WIRES, 89 IN LENGTH                |
| TIE00023 | *             | 5        | TIE;CABLE, 8.00IN.                                                                                       |
| COL15628 | 1             | 1        | COIL; MOTOR ASM-EEV, STATOR (SC)                                                                         |
| TDR00365 | 2             | 1        | TRANSDUCER, FOUR PIN OUTDOOR PRESSURE SENSOR, SUCTION LINE                                               |
| WIR04816 | 3             | 1        | WIRE; PLUG-SCROLL COMPRESSOR                                                                             |
| CLP00185 | 4             | 1        | CLIP; TDL                                                                                                |
| SEN02892 | 5             | 1        | SENSOR; SUCTION                                                                                          |
| PNL25790 | 6             | 1        | PANEL, CONTROL PANEL BASE, 39.14 HEIGHT                                                                  |
| SEN02907 | 7             | 1        | SENSOR; COIL, 5/16 CLIP, YELLOW WIRES, 54 IN LENGTH                                                      |
| CNT05010 | 8             | 1        | CONTROL; DEFROST                                                                                         |
| CTR01038 | 9             | 1        | CONTACTOR, 30 AMP, 240/277/480/600V, 24V COIL, 2 POLE                                                    |
| CPT00692 | 10            | 1        | CAPACITOR; DUAL, 30/7.5 MFD, 440V, ROUND, W/O RESISTOR                                                   |
| RTF00058 | 11            | 1        | RECTIFIER; BRIDGE                                                                                        |
| SHD00387 | 12            | 2        | SHIELD; MOISTURE, 10.25 X 4.00                                                                           |
| WIR09433 | 13            | 1        | WIRE; HARNESS-CONTROL PANEL                                                                              |

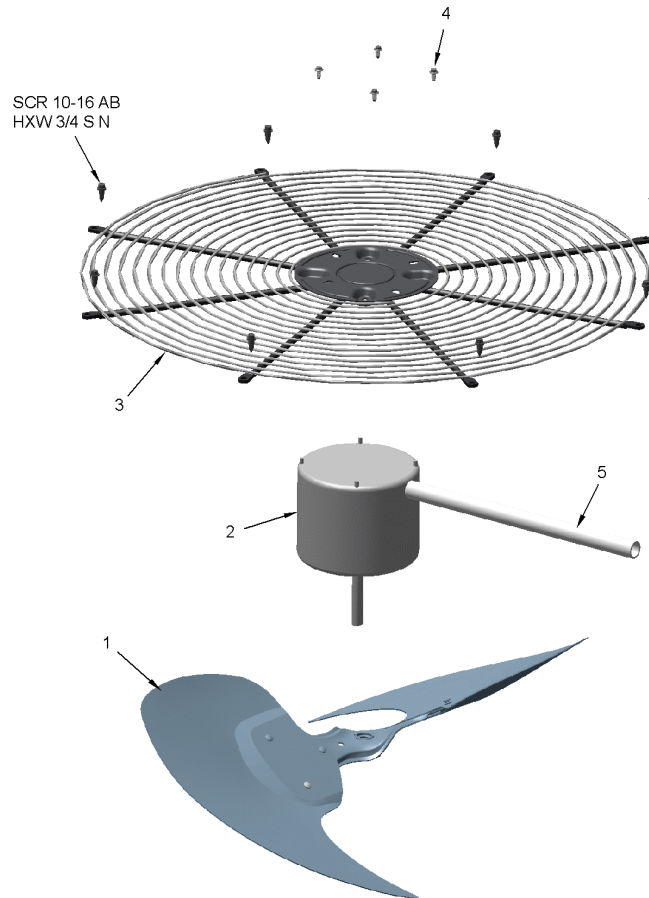
| Part No.     | Reference No. | Quantity | Description    |
|--------------|---------------|----------|----------------|
| 0000030330~P | *             |          | FAN PARTS LIST |

FAN

75010673

REV  
A

TYPICAL ILLUSTRATION



| Part No. | Reference No. | Quantity | Description                                                                                                    |
|----------|---------------|----------|----------------------------------------------------------------------------------------------------------------|
| MOT13693 | *             | 1        | MOTOR; 1/5 HP, 200/230/60/1, 825 RPM, 48 FRAME, PSC, BALL BEARING, CCW, 7.5 MFD CPT AT 370V                    |
| FAN04460 | 1             | 1        | FAN; 2 SWEPT BLADES, 27.5" DIA, 25.2 DEG PITCH, 0.50" BORE, CCW, ALUMINUM, 1 SET SCREW-STEEL, SPIDER 0.075 THK |
| SCR02086 | 4             | 4        | SCREW; 10-32 TR-3 HXW 3/8 S                                                                                    |
| GRD01416 | 5             | 1        | GUARD, TROUGH-LEAD                                                                                             |

| Part No.     | Reference No. | Quantity | Description                         |
|--------------|---------------|----------|-------------------------------------|
| 0000036907~P | *             |          | MODEL NUMBER DESCRIPTION PARTS LIST |

MODEL NUMBER DESCRIPTION

75005586

REV  
D

OUTDOOR UNITS

*Example Model Number:*

**4 T W V 0 0 3 6 A 1 0 0 0 A A**  
1 - - - 5 - - - 10 - - - 15

**Digit 1 – Refrigerant Type**

2 = R-22  
4 = R-410A

**Digit 2 – Trane**

**Digit 3 – Product Type**

W = Split Heat Pump  
T = Split Cooling

**Digit 4 – Product Family**

V = Variable Speed  
Z = Leadership - Two Stage  
X = Leadership  
R = Replacement/Retail  
M or B = Basic  
A = Light Commercial  
L = Side Discharge

**Digit 5 – Family SEER**

3 = 13      7 = 17  
4 = 14      9 = 19  
5 = 15      9 = 19  
6 = 16      0 = 20

**Digits 6 – Split System Connections 1-6 Tons**

0 = Brazed

**Digits 7,8 – Nominal Capacity in 000s BTUs**

**Digit 9 – Major Design Modifications**

**Digit 10 – Power Supply**

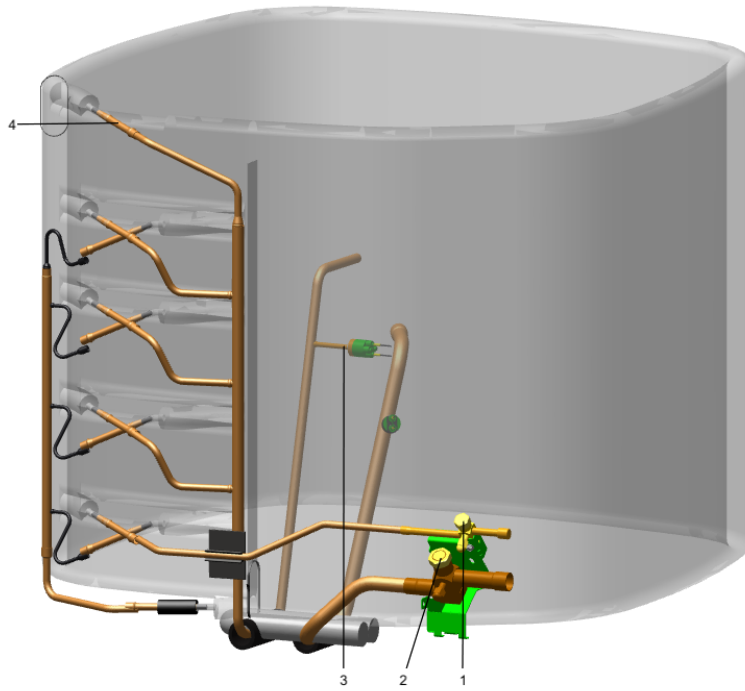
1 = 200-230/1/60 or 208-230/1/60  
3 = 200-230/3/60  
4 = 460/3/60

**Digit 11,12,13 – Secondary Function**

**Digit 14 – Minor Design Modifications**

**Digit 15 – Unit Parts Identifier**

| Part No.     | Reference No. | Quantity | Description            |
|--------------|---------------|----------|------------------------|
| 0000036928~P | *             |          | REFRIGERANT PARTS LIST |



| Part No. | Reference No. | Quantity | Description                                                                         |
|----------|---------------|----------|-------------------------------------------------------------------------------------|
| BRK03020 | *             | 1        | BRACKET; VALVE                                                                      |
| CAP00455 | *             | 2        | CAP; HUB, 7/16-20 STRAIGHT                                                          |
| COR00103 | *             | 3        | CORE; VALVE, .79 LENGTH, .206-36 UNS-1 MOD. THD                                     |
| MFL00806 | *             | 1        | MUFFLER; 1/2 ODF CONNECTION (DRIER COULD BE PAINTED EITHER SMOKE GRAY OR NAVY BLUE) |
| MNT00479 | *             | 1        | MOUNT; VIBRATION ISOLATOR, COMPRESSOR                                               |
| PAI00246 | *             | 0        | PAINT; SPRAY, TARPAULIN GRAY (SHIPPING UOM 12 OZ HAZ)                               |
| SCR01914 | *             | 1        | SCREW, ASSEMBLY COMPRESSOR, 5/16-12 TYPE B, W/WASHER & SLEEVE                       |
| SCR02010 | *             | 3        | SCREW; 12-18 AB HXW 1/2 SN                                                          |
| SCR02054 | *             | 3        | SCREW; 12-18 AB HXW 1/2 SN                                                          |
| SWT04455 | *             | 1        | SWITCH; LOW PRESSURE BZ                                                             |
| TER00312 | *             | 0        | TERMINAL; 8IN. TIE CABLE                                                            |
| TUB02810 | *             | 14       | TUBE; TRANSITION                                                                    |
| TUB15731 | *             | 1        | TUBE; TU ASM-VLV                                                                    |
| VAL08884 | *             | 1        | VALVE; SWITCHOVER, 6 TON, 5/8 IN ODF X 7/8 IDF CONNECTION (INCLUDES SOLENOID COIL)  |
| VAL11170 | *             | 1        | VALVE; EEV, 1.8 MM, FOR 4 TON                                                       |
| VAL20231 | *             | 1        | VALVE; SER GAS 0 (14-14-14)                                                         |
| COL30303 |               | 1        | COIL; ASM-REPL PACKOUT                                                              |
| CAP01412 | 1             | 1        | CAP; SERVICE VALVE, BRASS, 1.00 OD X 0.57 ID X M18 X 1-6H                           |
| CAP01336 | 2             | 1        | CAP; SERVICE LIQUID VALVE, BRASS, 0.75 OD X 0.57 ID X 11/16-28UN-2B                 |
| SWT03273 | 3             | 1        | SWITCH, HIGH PRESSURE, SPST, OPEN @ 650 PSIG, CLOSE @ 500 PSIG, 88" YELLOW LEAD     |
| TUB11547 | 4             | 14       | TUBE; TRANSITION ASSEMBLY                                                           |