

Part No.	Reference No.	Quantity	Description
0000170010~S	*		CABINET
0000170009~S	*		COMPRESSOR
0000170008~S	*		CONTROLS
0000170007~S	*		FAN
0000170005~S	*		MODEL NUMBER DESCRIPTION
0000170006~S	*		REFIGERATION

Part No.	Reference No.	Quantity	Description
0000038506~P	*		CABINET PARTS LIST

CABINET

75010774

REV.
A

TYPICAL ILLUSTRATION



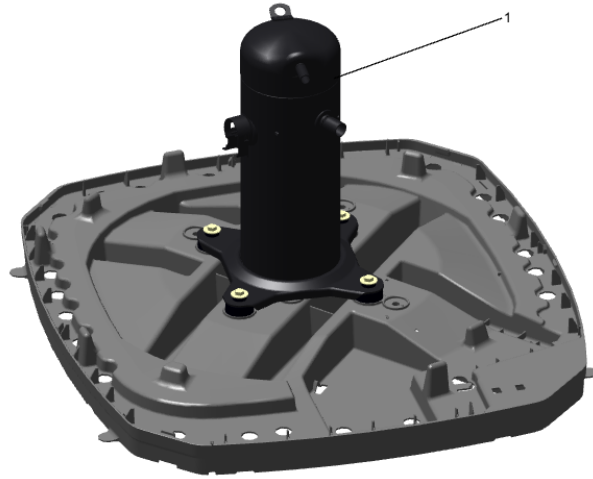
Part No.	Reference No.	Quantity	Description
PAI00246		0	PAINT; SPRAY, TARPAULIN GRAY (SHIPPING UOM 12 OZ HAZ)
COV03399	1	1	COVER; CONTROLS, 26.11 X 11.32
SCR02010	1	17	SCREW; 12-18 AB HXW 1/2 SN
PNL13009	2	1	PANEL, WRAPPER, 23.22 X 37.33
PNL13006	3	1	PANEL, CORNER POST, 3.570 X 37.33
SCR02054	3	17	SCREW; 12-18 AB HXW 1/2 SN
PNL13009	4	1	PANEL, WRAPPER, 23.22 X 37.33
COV03228	5	1	COVER, CONTROL BOTTOM
BAS01834	6	1	BASE; 41.78 X 41.81 DIAGONALLY
COV03396	7	1	COVER; TOP
PNL13159	8	1	PANEL; ACCESS, 19.88 X 36.65
PNL13006	9	1	PANEL, CORNER POST, 3.570 X 37.33
PNL13158	10	1	PANEL; WRAPPER, 27.13 X 37.33
PNL13006	11	1	PANEL, CORNER POST, 3.570 X 37.33

COMPRESSOR

Parts List Number :0000169984

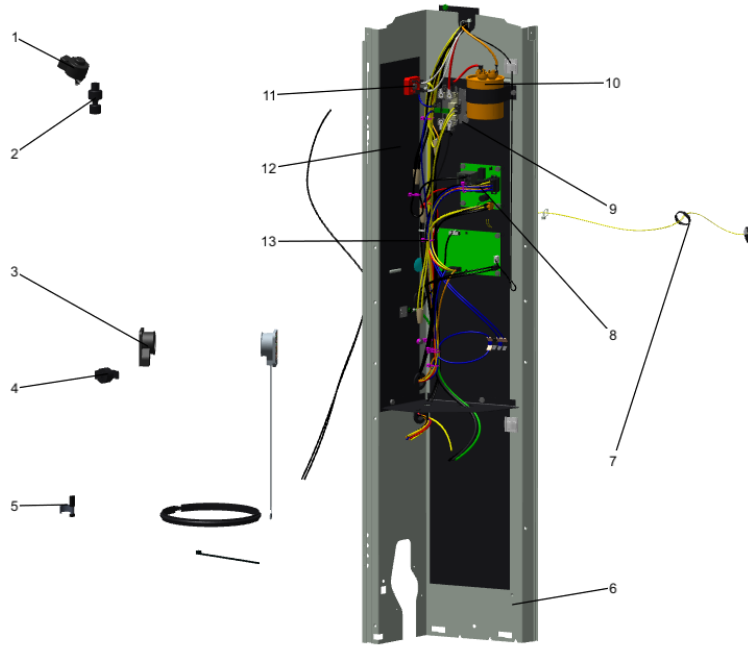
Model Number :4TWR6024N1000AA

Part No.	Reference No.	Quantity	Description
0000037009~P	*		SCROLL COMPRESSOR



Part No.	Reference No.	Quantity	Description
COM11904	1	1	COMPRESSOR; SCROLL, ALLIANCE, TXA020C1CTA, 1.6 TONS, 208/230/60/1, R410A, 3/4 SUCTION, 1/2 DISCHARGE, BRAZED-STUB TUBE

Part No.	Reference No.	Quantity	Description
0000036943~P	*		CONTROLS-HEAT PARTS LIST



Part No.	Reference No.	Quantity	Description
CNT07029	*	1	CONTROL; EEV BOARD ASSEMBLY
CON00241	*	3	CONNECTOR; WIRE
HTR15994	*	1	HEATER; CRANKCASE, 40 WATT, 230V, 5.50 DIA
PAI00246	*	0	PAINT; SPRAY, TARPAULIN GRAY (SHIPPING UOM 12 OZ HAZ)
PLU00972	*	1	PLUG; COMPRESSOR SOLENOID
SCR01089	*	1	SCREW; 10-24C HXW 3/4 S N
SCR01812	*	2	SCREW; 6-32 MA HXW 3/8 S
SCR01918	*	8	SCREW, 10-24 THREAD ROLL, INDENT HEX WASHER HD
SCR01924	*	7	SCREW; 6-32 X .75, THREAD ROLLING SCREWS-ZINC PLATED, HEX WASHER
SEN02352	*	1	SENSOR; ASSEMBLY, AMBIENT, 19 IN WIRE LENGTH, -40C TO 105C OP TEMP RANGE, 14 IN WIRE LENGTH, BLACK WIRES
SRP00093	*	1	STRAP;CAPACITOR
THT02243	*	1	THERMOSTAT, TERMINATOR, 240V, SPST, OPEN @ 105 DEGREE F, CLOSE @ 73 DEGREE F
TIE00023		5	TIE;CABLE, 8.00IN.
COL15628	1	1	COIL; MOTOR ASM-EEV, STATOR (SC)
TDR00365	2	1	TRANSDUCER, FOUR PIN OUTDOOR PRESSURE SENSOR, SUCTION LINE
WIR03325	3	1	WIRE, PLUG-SCROLL COMPRESSOR
CLP00185	4	1	CLIP; TDL
SEN02907	5	1	SENSOR; COIL, 5/16 CLIP, YELLOW WIRES, 54 IN LENGTH
PNL13029	6	1	PANEL, CONTROL PANEL BASE, 39.14 HEIGHT
SEN02930	7	1	SENSOR; SUCTION LINE
CNT05010	8	1	CONTROL; DEFROST
CTR00845	9	1	CONTACTOR; 30 AMP, 240/480/600V, 24V COIL, 1 POLE
CPT00977	10	1	CAPACITOR; DUAL, 35/5 MFD, 440V, ROUND, W/O RESISTOR
RTF00058	11	1	RECTIFIER; BRIDGE
SHD00387	12	2	SHIELD; MOISTURE, 10.25 X 4.00
WIR09433	13	1	WIRE; HARNESS-CONTROL PANEL

Part No.	Reference No.	Quantity	Description
0000037128~P	*		FAN PARTS LIST

Part No.	Reference No.	Quantity	Description
SCR02086	1	4	SCREW; 10-32 TR-3 HXW 3/8 S
FAN04231	2	1	FAN, 2 SWEPT BLADE, 27.5" DIA, 17 DEGREES PITCH, .50" BORE, CCW, ALUMINUM, 1 SET SCREW-STEEL, SPIDER .075 THK
GRD01416	3	1	GUARD, TROUGH-LEAD

Part No.	Reference No.	Quantity	Description
0000036907~P	*		MODEL NUMBER DESCRIPTION PARTS LIST

MODEL NUMBER DESCRIPTION

75005586

REV
D

OUTDOOR UNITS

Example Model Number:

4 T W V 0 0 3 6 A 1 0 0 0 A A
1 - - - 5 - - - 10 - - - 15

Digit 1 – Refrigerant Type

2 = R-22
4 = R-410A

Digit 2 – Trane

Digit 3 – Product Type

W = Split Heat Pump
T = Split Cooling

Digit 4 – Product Family

V = Variable Speed
Z = Leadership - Two Stage
X = Leadership
R = Replacement/Retail
M or B = Basic
A = Light Commercial
L = Side Discharge

Digit 5 – Family SEER

3 = 13 7 = 17
4 = 14 9 = 19
5 = 15 9 = 19
6 = 16 0 = 20

Digits 6 – Split System Connections 1-6 Tons

0 = Brazed

Digits 7,8 – Nominal Capacity in 000s BTUs

Digit 9 – Major Design Modifications

Digit 10 – Power Supply

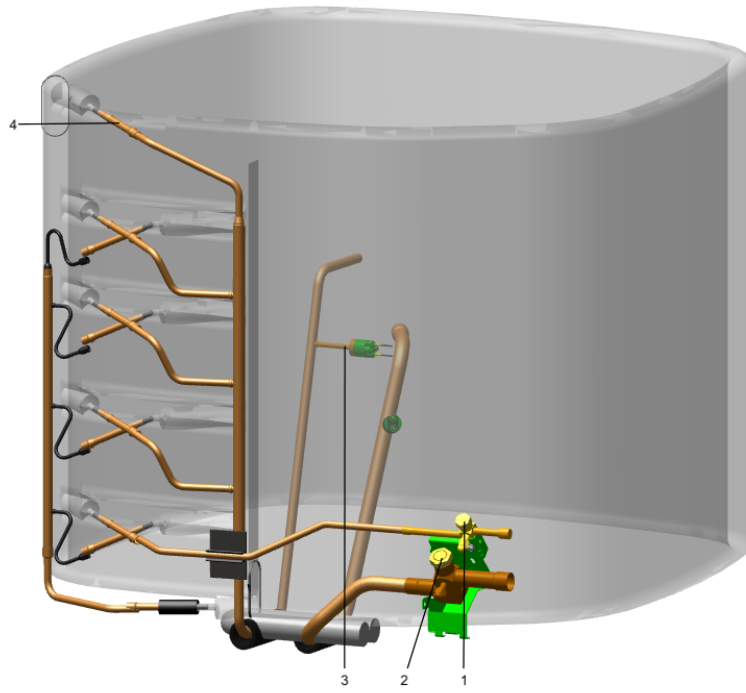
1 = 200-230/1/60 or 208-230/1/60
3 = 200-230/3/60
4 = 460/3/60

Digit 11,12,13 – Secondary Function

Digit 14 – Minor Design Modifications

Digit 15 – Unit Parts Identifier

Part No.	Reference No.	Quantity	Description
0000036930~P	*		REFRIGERANT PARTS LIST



Part No.	Reference No.	Quantity	Description
BRK03020	*	1	BRACKET; VALVE
CAP00455	*	2	CAP; HUB, 7/16-20 STRAIGHT
COR00103	*	3	CORE; VALVE, .79 LENGTH, .206-36 UNS-1 MOD. THD
MFL00806	*	1	MUFFLER; 1/2 ODF CONNECTION (DRIER COULD BE PAINTED EITHER SMOKE GRAY OR NAVY BLUE)
MNT00479	*	1	MOUNT; VIBRATION ISOLATOR, COMPRESSOR
PAI00246	*	0	PAINT; SPRAY, TARPAULIN GRAY (SHIPPING UOM 12 OZ HAZ)
PLU00417	*	0	PLUG; TUBE
SCR01914	*	1	SCREW, ASSEMBLY COMPRESSOR, 5/16-12 TYPE B, W/WASHER & SLEEVE
SCR02010	*	3	SCREW; 12-18 AB HXW 1/2 SN
SCR02054	*	3	SCREW; 12-18 AB HXW 1/2 SN
TUB02810	*	12	TUBE; TRANSITION
VAL08991	*	1	VALVE; SWITCHOVER, 3 TON, .50 IDF X .75 OD, W/ 24V SOLENOID COIL
VAL11172	*	1	VALVE; EEV, 1.3 MM, FOR 2 TON
COL30304		1	COIL; ASM-REPL PACKOUT
SWT04455		1	SWITCH; LOW PRESSURE BZ
CAP01337	1	1	CAP; SERVICE SUCTION VALVE
CAP01336	2	1	CAP; SERVICE LIQUID VALVE, BRASS, 0.75 OD X 0.57 ID X 11/16-28UN-2B
SWT03273	3	1	SWITCH, HIGH PRESSURE, SPST, OPEN @ 650 PSIG, CLOSE @ 500 PSIG, 88" YELLOW LEAD
TUB11547	4	12	TUBE; TRANSITION ASSEMBLY