

<b>Part No.</b>	<b>Reference No.</b>	<b>Quantity</b>	<b>Description</b>
0000163607~S	*		CABINET
0000163608~S	*		COMPRESSOR MOUNTING
0000171939~S	*		COMPRESSOR
0000163609~S	*		CONTROLS
0000163606~S	*		FAN
0000211426~S	*		FILTER DRIER
0000163613~S	*		GENERAL ASSEMBLY
0000163612~S	*		MODEL NUMBER DESCRIPTION
0000163610~S	*		REFRIGERATION
0000217954~S	*		SOLENOID VALVE

Part No.	Reference No.	Quantity	Description
0000033271~P	*		CABINET PARTS LIST

CABINET

75010774

REV.  
A

TYPICAL ILLUSTRATION



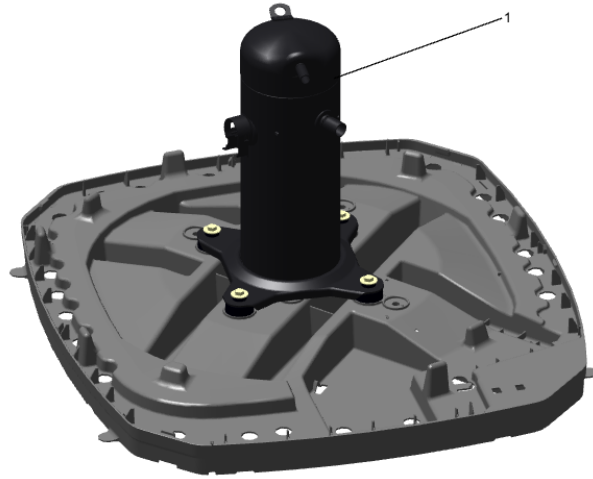
<b>Part No.</b>	<b>Reference No.</b>	<b>Quantity</b>	<b>Description</b>
PAI00246	*	0	PAINT; SPRAY, TARPAULIN GRAY (SHIPPING UOM 12 OZ HAZ)
SCR02010	*	17	SCREW; 12-18 AB HXW 1/2 SN
SCR02054	*	17	SCREW; 12-18 AB HXW 1/2 SN
COV04506	1	1	COVER; TOP, 37.00 X 34.00, TARPAULIN GRAY
PNL25809	2	1	PANEL; WRAPPER, 23 X 41
PNL25807	3	1	PANEL; CORNER POST, 3.57 X 41.33
PNL25809	4	1	PANEL; WRAPPER, 23 X 41
COV03224	5	1	COVER, CONTROL, 11.32 X 18.11
BAS01834	6	1	BASE; 41.78 X 41.81 DIAGONALLY
COV03228	7	1	COVER, CONTROL BOTTOM
PNL25810	8	1	PANEL; ACCESS, 19.84 X 40.65
PNL25807	9	1	PANEL; CORNER POST, 3.57 X 41.33
PNL25808	10	1	PANEL; WRAPPER, 27 X 41.33
PNL25807	11	1	PANEL; CORNER POST, 3.57 X 41.33

COMPRESSOR

Parts List Number :0000163605

Model Number :4TWR5048N1000AA

Part No.	Reference No.	Quantity	Description
0000038548~P	*		SCROLL COMPRESSOR



Part No.	Reference No.	Quantity	Description
COM11528	1	1	COMPRESSOR; SCROLL, ALLIANCE, SBA040B1CPZ, 3.5 TON, 40,000 BTUH, 208/230-60-1, R410-A, BRAZED, SUCTION 7/8, DISCHARGE 1/2, RLA 20.6

Part No.	Reference No.	Quantity	Description
0000032889~P	*		COMPRESSOR MTG

<b>Part No.</b>	<b>Reference No.</b>	<b>Quantity</b>	<b>Description</b>
ISR00007	*	4	ISOLATOR; VIBRATION
KIT08039	*	4	KIT; GROMMETS. COMPRESSOR MOUNTING. (CONSISTS OF 4), 0.44 ID X 1.63 OD NEOPRENE RUBBER-BLACK 45-55 DUROMETER
SCR01914	*	4	SCREW, ASSEMBLY COMPRESSOR, 5/16-12 TYPE B, W/WASHER & SLEEVE

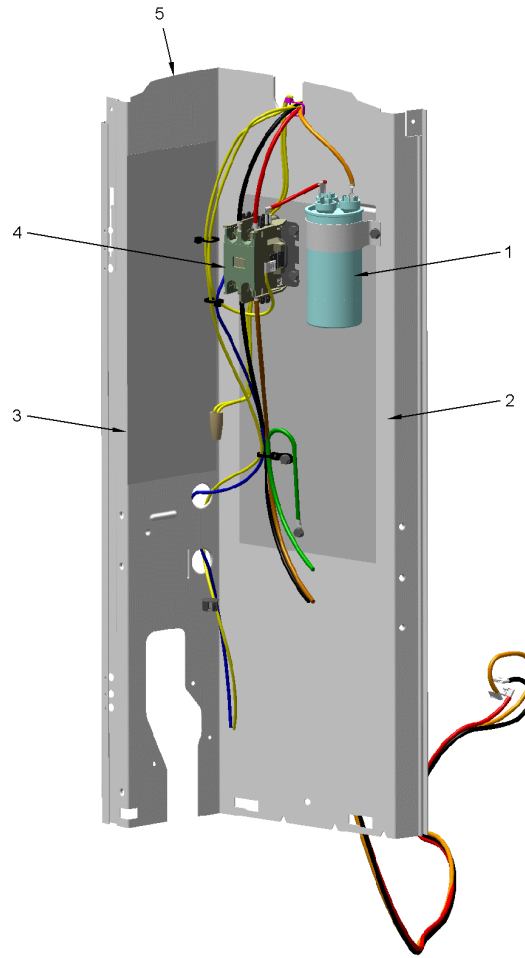
Part No.	Reference No.	Quantity	Description
0000032894~P	*		CONTROLS PARTS LIST

CONTROLS

75010701

REV  
A

TYPICAL ILLUSTRATION



Part No.	Reference No.	Quantity	Description
CNT08176	*	1	CONTROL; DEFROST, 5.5 X 3.0
CON00241	*	1	CONNECTOR; WIRE
PAI00246	*	0	PAINT; SPRAY, TARPAULIN GRAY (SHIPPING UOM 12 OZ HAZ)
PNL25790	*	1	PANEL, CONTROL PANEL BASE, 39.14 HEIGHT
PNL31534	*	1	PANEL; VOLTAGE BARRIER; 4.45 X 3.06, BLACK POLYPROPYLENE
SCR01812	*	1	SCREW; 6-32 MA HXW 3/8 S
SCR01918	*	8	SCREW, 10-24 THREAD ROLL, INDENT HEX WASHER HD
SCR01924	*	5	SCREW; 6-32 X .75, THREAD ROLLING SCREWS-ZINC PLATED, HEX WASHER
SEN02353	*	1	SENSOR; ASSEMBLY, AMBIENT, 10 IN WIRE LENGTH, -40C TO 105C OP TEMP RANGE, 14 IN WIRE LENGTH
SEN02907	*	1	SENSOR; COIL, 5/16 CLIP, YELLOW WIRES, 54 IN LENGTH
SRP00269	*	1	STRAP; CAPACITOR
TER00312	*	4	TERMINAL; 8IN. TIE CABLE
TIE00007	*	4	TIE;CABLE
WIR04816	*	1	WIRE; PLUG-SCROLL COMPRESSOR
WIR07598	*	1	WIRE; HARNESS, 9 PIN TO J4 ON DFC
WIR07599	*	1	WIRE; HARNESS, CONTROL BOX, K2B ON DFC TO MS & MOTOR
CPT00449	1	1	CAPACITOR; RUN, 45 MFD, 370V, ROUND, W/O RESISTOR
SHD00386	2	1	SHIELD; MOISTURE, 12.75 X 5.00
CTR01028	4	1	CONTACTOR; 2P, 40A 600V CONTACTS, 24 CV, 60HZ
SHD00387	5	1	SHIELD; MOISTURE, 10.25 X 4.00

Part No.	Reference No.	Quantity	Description
0000030332~P	*		AIR SYSTEM

FAN

75010673

REV  
A

TYPICAL ILLUSTRATION



Part No.	Reference No.	Quantity	Description
FAN04460	1	1	FAN; 2 SWEPT BLADES, 27.5" DIA, 25.2 DEG PITCH, 0.50" BORE, CCW, ALUMINUM, 1 SET SCREW-STEEL, SPIDER 0.075 THK
MOT18698	2	1	MOTOR; OD ECM 1/3HP 230V
SCR02086	4	4	SCREW; 10-32 TR-3 HXW 3/8 S

FILTER DRIER

Parts List Number :0000163605

Model Number :4TWR5048N1000AA

Part No.	Reference No.	Quantity	Description
0000056039~P	*		FILTER DRIER

Part No.	Reference No.	Quantity	Description
DHY01665	1	1	DRIER, FILTER DRIER-WRAP ASM

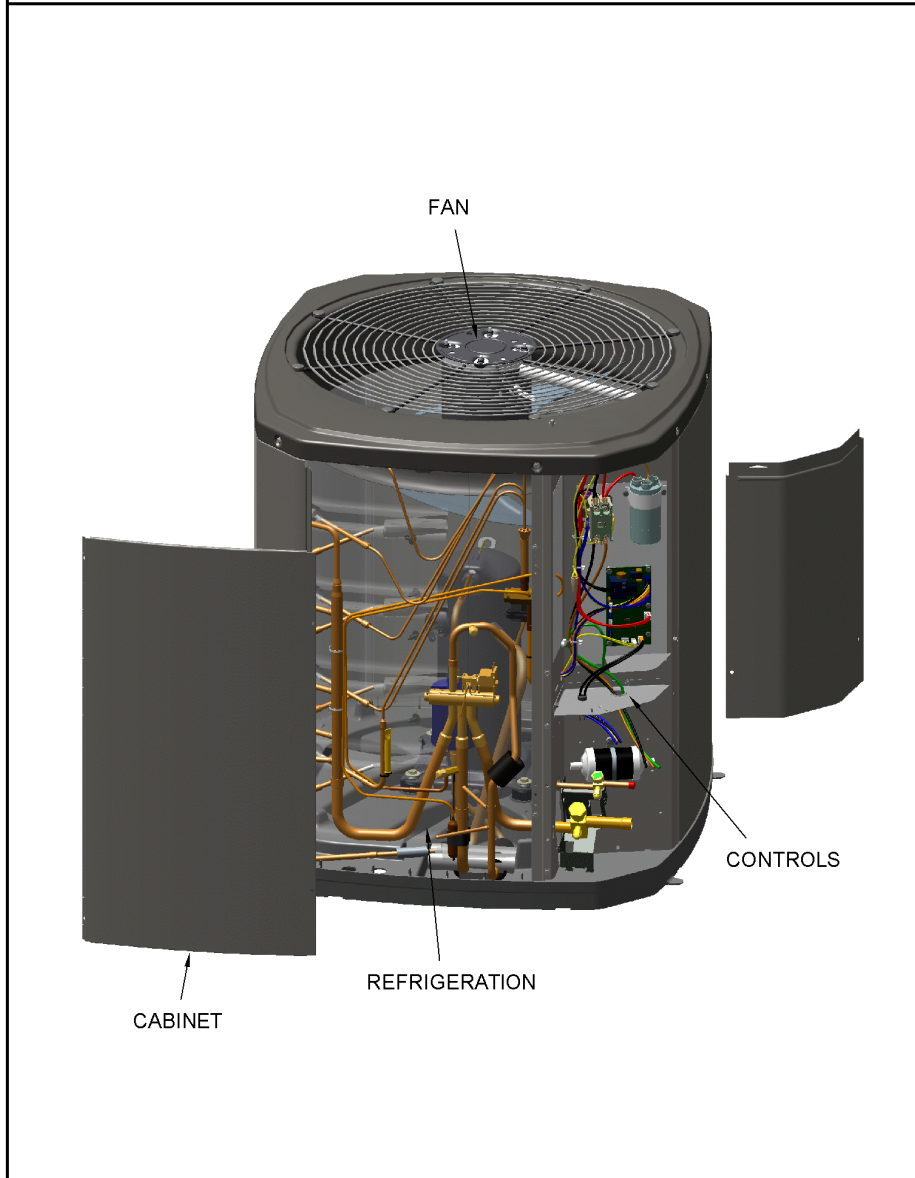
Part No.	Reference No.	Quantity	Description
000006274~P	*		GENERAL ASSEMBLY GRAPHIC

SPLIT SYSTEM HEAT PUMP

75010773

REV.  
A

TYPICAL ILLUSTRATION



Part No.	Reference No.	Quantity	Description
000006277~P	*		MODEL NUMBER GRAPHIC

MODEL NUMBER DESCRIPTION

75005586

REV  
D

OUTDOOR UNITS

*Example Model Number:*

**4 T W V 0 0 3 6 A 1 0 0 0 A A**  
1 - - - 5 - - - 10 - - - 15

**Digit 1 – Refrigerant Type**

2 = R-22  
4 = R-410A

**Digit 2 – Trane**

**Digit 3 – Product Type**

W = Split Heat Pump  
T = Split Cooling

**Digit 4 – Product Family**

V = Variable Speed  
Z = Leadership - Two Stage  
X = Leadership  
R = Replacement/Retail  
M or B = Basic  
A = Light Commercial  
L = Side Discharge

**Digit 5 – Family SEER**

3 = 13      7 = 17  
4 = 14      9 = 19  
5 = 15      9 = 19  
6 = 16      0 = 20

**Digits 6 – Split System Connections 1-6 Tons**

0 = Brazed

**Digits 7,8 – Nominal Capacity in 000s BTUs**

**Digit 9 – Major Design Modifications**

**Digit 10 – Power Supply**

1 = 200-230/1/60 or 208-230/1/60  
3 = 200-230/3/60  
4 = 460/3/60

**Digit 11,12,13 – Secondary Function**

**Digit 14 – Minor Design Modifications**

**Digit 15 – Unit Parts Identifier**

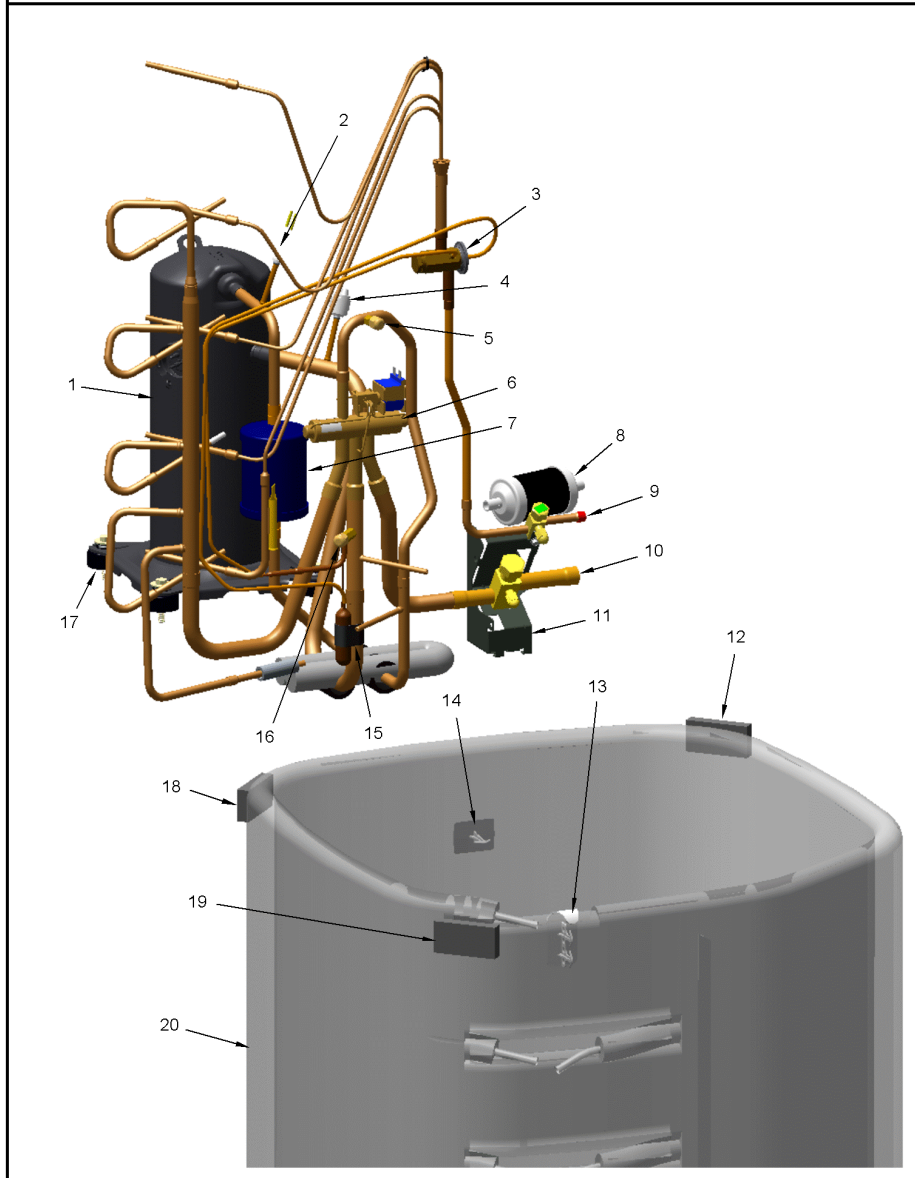
<b>Part No.</b>	<b>Reference No.</b>	<b>Quantity</b>	<b>Description</b>
0000032895~P	*		REFRIGERATION PARTS LIST

REFRIGERATION

75010794

REV  
A

TYPICAL ILLUSTRATION



Part No.	Reference No.	Quantity	Description
CAP00455	*	3	CAP; HUB, 7/16-20 STRAIGHT
PAI00246	*	0	PAINT; SPRAY, TARPAULIN GRAY (SHIPPING UOM 12 OZ HAZ)
SCR02010	*	4	SCREW; 12-18 AB HXW 1/2 SN
SCR02054	*	4	SCREW; 12-18 AB HXW 1/2 SN
SLV00082	*	0	SLEEVE;
SLV00083	*	0	SLEEVE;
TER00312	*	0	TERMINAL; 8IN. TIE CABLE
TIE00007	*	0	TIE;CABLE
TIE00023	*	7	TIE;CABLE, 8.00IN.
TUB02810	*	16	TUBE; TRANSITION
TUB11547	*	16	TUBE; TRANSITION ASSEMBLY
TUB15622	*	1	TUBE; TU ASM DISCHARGE BZ
VAL08884	*	1	VALVE; SWITCHOVER, 6 TON, 5/8 IN ODF X 7/8 IDF CONNECTION (INCLUDES SOLENOID COIL)
CAP01431		1	CAP; SERVICE VALVE
VAL20804		1	VALVE; VALVE BODY
SWT03277	2	1	SWITCH, HIGH PRESSURE, SPST, OPEN AT 650 PSIG, CLOSE AT 500 PSIG, 91 IN. YELLOW AND RED LEAD
VAL19483	3	1	VALVE; TEV HXCE 2 ZX200
SWT04689	4	1	SWITCH; LOW PRESSURE BZ
MFL00806	7	1	MUFFLER; 1/2 ODF CONNECTION (DRIER COULD BE PAINTED EITHER SMOKE GRAY OR NAVY BLUE)
CAP01411	9	1	CAP; SERVICE VALVE, BRASS, 1.19 OD X 0.93 ID X 17/16-20UN-2B
VAL20681	9a	1	VALVE-SER LIQ O(06-06)
VAL19890	10	1	VALVE; SER GAS O(14-14)
CAP01336	10a	1	CAP; SERVICE LIQUID VALVE, BRASS, 0.75 OD X 0.57 ID X 11/16-28UN-2B
BRK03020	11	1	BRACKET; VALVE
CLP00181	15	1	CLIP; BULB
COR00103	16	1	CORE; VALVE, .79 LENGTH, .206-36 UNS-1 MOD. THD
COL28898	20	0	COIL; SPINE FIN

Part No.	Reference No.	Quantity	Description
0000060540~P	*		SOLENOID SYSTEM

Part No.	Reference No.	Quantity	Description
PAI00246		0	PAINT; SPRAY, TARPAULIN GRAY (SHIPPING UOM 12 OZ HAZ)
SCR02010		2	SCREW; 12-18 AB HXW 1/2 SN
SCR02054		2	SCREW; 12-18 AB HXW 1/2 SN
COR00103	1	1	CORE; VALVE, .79 LENGTH, .206-36 UNS-1 MOD. THD
BRK03020	2	1	BRACKET; VALVE
VAL19890	3	1	VALVE; SER GAS 0(14-14)
VAL20804	4	2	VALVE; VALVE BODY
VAL08884	5	1	VALVE; SWITCHOVER, 6 TON, 5/8 IN ODF X 7/8 IDF CONNECTION (INCLUDES SOLENOID COIL)