

| Part No. | Reference No. | Quantity | Description |
|-----------------|----------------------|-----------------|--------------------------|
| 0000163607~S | * | | CABINET |
| 0000163608~S | * | | COMPRESSOR MOUNTING |
| 0000171939~S | * | | COMPRESSOR |
| 0000163609~S | * | | CONTROLS |
| 0000163606~S | * | | FAN |
| 0000211426~S | * | | FILTER DRIER |
| 0000163613~S | * | | GENERAL ASSEMBLY |
| 0000163612~S | * | | MODEL NUMBER DESCRIPTION |
| 0000163610~S | * | | REFRIGERATION |
| 0000217954~S | * | | SOLENOID VALVE |

| Part No. | Reference No. | Quantity | Description |
|--------------|---------------|----------|--------------------|
| 0000032944~P | * | | CABINET PARTS LIST |

CABINET

75010774

REV.
A

TYPICAL ILLUSTRATION



| Part No. | Reference No. | Quantity | Description |
|----------|---------------|----------|---|
| PAI00246 | | 0 | PAINT; SPRAY, TARPAULIN GRAY (SHIPPING UOM 12 OZ HAZ) |
| SCR02010 | | 17 | SCREW; 12-18 AB HXW 1/2 SN |
| SCR02054 | | 17 | SCREW; 12-18 AB HXW 1/2 SN |
| COV03396 | 1 | 1 | COVER; TOP |
| PNL25809 | 2 | 1 | PANEL; WRAPPER, 23 X 41 |
| PNL25807 | 3 | 1 | PANEL; CORNER POST, 3.57 X 41.33 |
| PNL25809 | 4 | 1 | PANEL; WRAPPER, 23 X 41 |
| COV03224 | 5 | 1 | COVER, CONTROL, 11.32 X 18.11 |
| BAS01834 | 6 | 1 | BASE; 41.78 X 41.81 DIAGONALLY |
| COV03228 | 7 | 1 | COVER, CONTROL BOTTOM |
| PNL25810 | 8 | 1 | PANEL; ACCESS, 19.84 X 40.65 |
| PNL25807 | 9 | 1 | PANEL; CORNER POST, 3.57 X 41.33 |
| PNL25808 | 10 | 1 | PANEL; WRAPPER, 27 X 41.33 |
| PNL25807 | 11 | 1 | PANEL; CORNER POST, 3.57 X 41.33 |

COMPRESSOR

Parts List Number :0000163605

Model Number :4TWR5042N1000AA

| Part No. | Reference No. | Quantity | Description |
|--------------|---------------|----------|-------------------|
| 0000038499~P | * | | SCROLL COMPRESSOR |

| Part No. | Reference No. | Quantity | Description |
|----------|---------------|----------|---|
| COM13577 | 1 | 1 | COMPRESSOR; SCROLL, 2.83 TON, R-410A, 230V/1PH/60HZ WITH ALUMINUM MOTOR |

| Part No. | Reference No. | Quantity | Description |
|-------------|---------------|----------|----------------|
| 000032889~P | * | | COMPRESSOR MTG |

| Part No. | Reference No. | Quantity | Description |
|-----------------|----------------------|-----------------|--|
| ISR00007 | * | 4 | ISOLATOR; VIBRATION |
| KIT08039 | * | 4 | KIT; GROMMETS. COMPRESSOR MOUNTING. (CONSISTS OF 4), 0.44 ID X 1.63 OD NEOPRENE RUBBER-BLACK 45-55 DUROMETER |
| SCR01914 | * | 4 | SCREW, ASSEMBLY COMPRESSOR, 5/16-12 TYPE B, W/WASHER & SLEEVE |

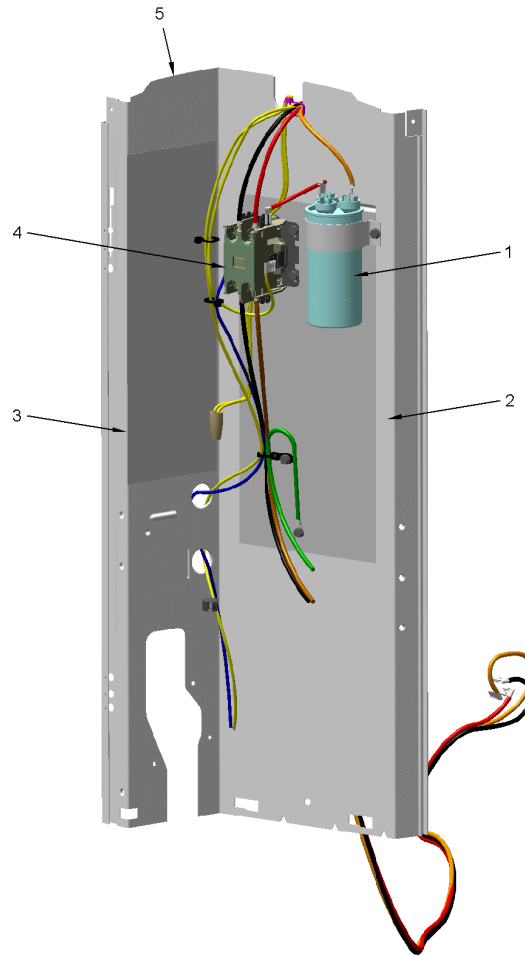
| Part No. | Reference No. | Quantity | Description |
|--------------|---------------|----------|---------------------|
| 0000032894~P | * | | CONTROLS PARTS LIST |

CONTROLS

75010701

REV
A

TYPICAL ILLUSTRATION



| Part No. | Reference No. | Quantity | Description |
|----------|---------------|----------|---|
| CNT08176 | * | 1 | CONTROL; DEFROST, 5.5 X 3.0 |
| CON00241 | * | 1 | CONNECTOR; WIRE |
| PAI00246 | * | 0 | PAINT; SPRAY, TARPAULIN GRAY (SHIPPING UOM 12 OZ HAZ) |
| PNL25790 | * | 1 | PANEL, CONTROL PANEL BASE, 39.14 HEIGHT |
| PNL31534 | * | 1 | PANEL; VOLTAGE BARRIER; 4.45 X 3.06, BLACK POLYPROPYLENE |
| SCR01812 | * | 1 | SCREW; 6-32 MA HXW 3/8 S |
| SCR01918 | * | 8 | SCREW, 10-24 THREAD ROLL, INDENT HEX WASHER HD |
| SCR01924 | * | 5 | SCREW; 6-32 X .75, THREAD ROLLING SCREWS-ZINC PLATED, HEX WASHER |
| SEN02353 | * | 1 | SENSOR; ASSEMBLY, AMBIENT, 10 IN WIRE LENGTH, -40C TO 105C OP TEMP RANGE, 14 IN WIRE LENGTH |
| SEN02907 | * | 1 | SENSOR; COIL, 5/16 CLIP, YELLOW WIRES, 54 IN LENGTH |
| SRP00269 | * | 1 | STRAP; CAPACITOR |
| TER00312 | * | 4 | TERMINAL; 8IN. TIE CABLE |
| TIE00007 | * | 4 | TIE;CABLE |
| WIR04816 | * | 1 | WIRE; PLUG-SCROLL COMPRESSOR |
| WIR07598 | * | 1 | WIRE; HARNESS, 9 PIN TO J4 ON DFC |
| WIR07599 | * | 1 | WIRE; HARNESS, CONTROL BOX, K2B ON DFC TO MS & MOTOR |
| CPT00449 | 1 | 1 | CAPACITOR; RUN, 45 MFD, 370V, ROUND, W/O RESISTOR |
| SHD00386 | 2 | 1 | SHIELD; MOISTURE, 12.75 X 5.00 |
| CTR01028 | 4 | 1 | CONTACTOR; 2P, 40A 600V CONTACTS, 24 CV, 60HZ |
| SHD00387 | 5 | 1 | SHIELD; MOISTURE, 10.25 X 4.00 |

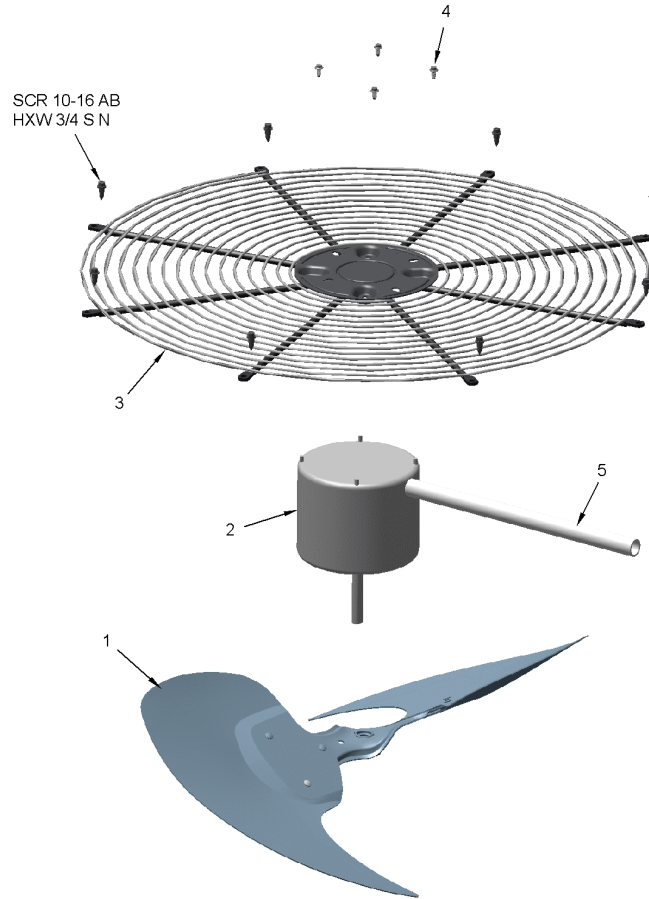
| Part No. | Reference No. | Quantity | Description |
|--------------|---------------|----------|-------------|
| 0000030332~P | * | | AIR SYSTEM |

FAN

75010673

REV
A

TYPICAL ILLUSTRATION



| Part No. | Reference No. | Quantity | Description |
|----------|---------------|----------|--|
| FAN04460 | 1 | 1 | FAN; 2 SWEPT BLADES, 27.5" DIA, 25.2 DEG PITCH, 0.50" BORE, CCW, ALUMINUM, 1 SET SCREW-STEEL, SPIDER 0.075 THK |
| MOT18698 | 2 | 1 | MOTOR; OD ECM 1/3HP 230V |
| SCR02086 | 4 | 4 | SCREW; 10-32 TR-3 HXW 3/8 S |

| Part No. | Reference No. | Quantity | Description |
|--------------|---------------|----------|--------------|
| 0000056039~P | * | | FILTER DRIER |

| Part No. | Reference No. | Quantity | Description |
|----------|---------------|----------|------------------------------|
| DHY01665 | 1 | 1 | DRIER, FILTER DRIER-WRAP ASM |

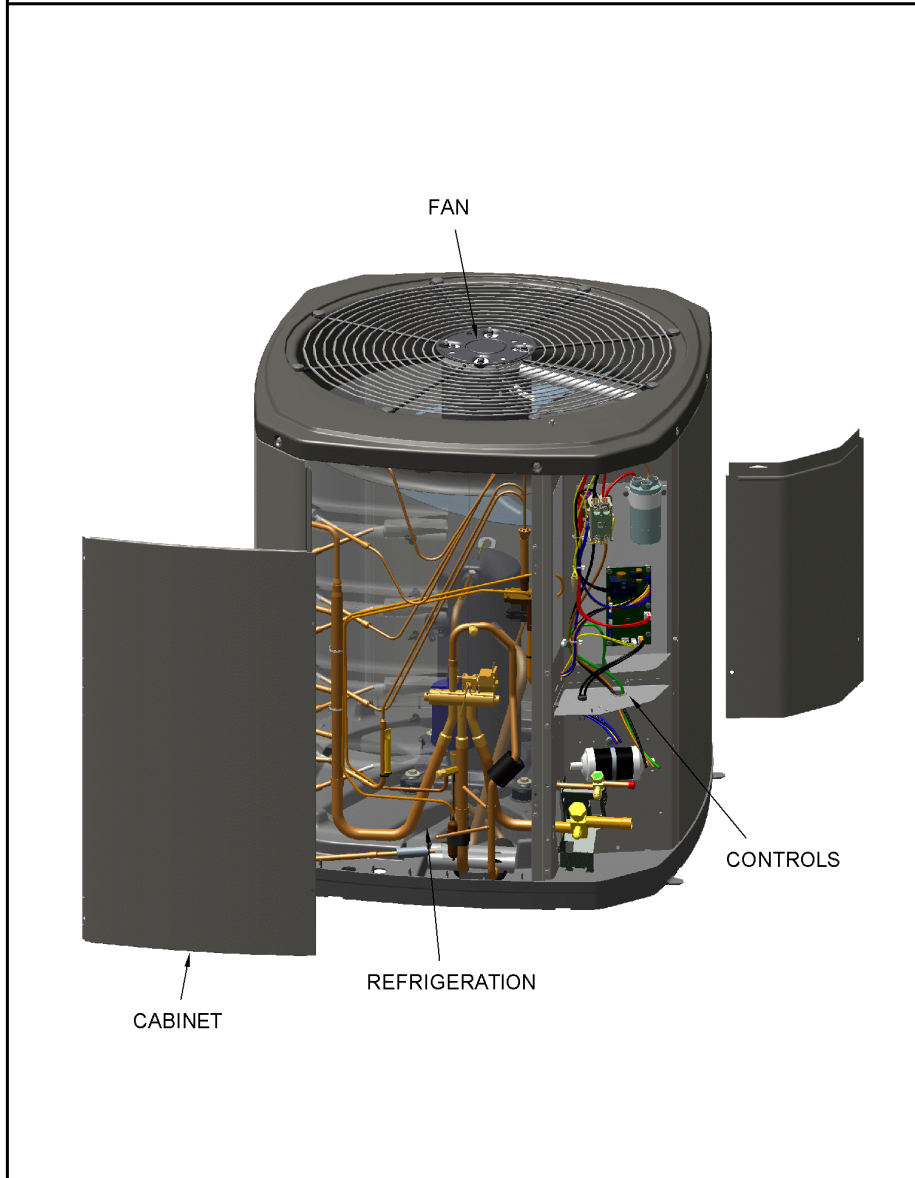
| Part No. | Reference No. | Quantity | Description |
|-------------|---------------|----------|--------------------------|
| 000006274~P | * | | GENERAL ASSEMBLY GRAPHIC |

SPLIT SYSTEM HEAT PUMP

75010773

REV.
A

TYPICAL ILLUSTRATION



| Part No. | Reference No. | Quantity | Description |
|-------------|---------------|----------|----------------------|
| 000006277~P | * | | MODEL NUMBER GRAPHIC |

MODEL NUMBER DESCRIPTION

75005586

REV
D

OUTDOOR UNITS

Example Model Number:

4 T W V 0 0 3 6 A 1 0 0 0 A A
1 - - - 5 - - - 10 - - - 15

Digit 1 – Refrigerant Type

2 = R-22
4 = R-410A

Digit 2 – Trane

Digit 3 – Product Type

W = Split Heat Pump
T = Split Cooling

Digit 4 – Product Family

V = Variable Speed
Z = Leadership - Two Stage
X = Leadership
R = Replacement/Retail
M or B = Basic
A = Light Commercial
L = Side Discharge

Digit 5 – Family SEER

3 = 13 7 = 17
4 = 14 9 = 19
5 = 15 9 = 19
6 = 16 0 = 20

Digits 6 – Split System Connections 1-6 Tons

0 = Brazed

Digits 7,8 – Nominal Capacity in 000s BTUs

Digit 9 – Major Design Modifications

Digit 10 – Power Supply

1 = 200-230/1/60 or 208-230/1/60
3 = 200-230/3/60
4 = 460/3/60

Digit 11,12,13 – Secondary Function

Digit 14 – Minor Design Modifications

Digit 15 – Unit Parts Identifier

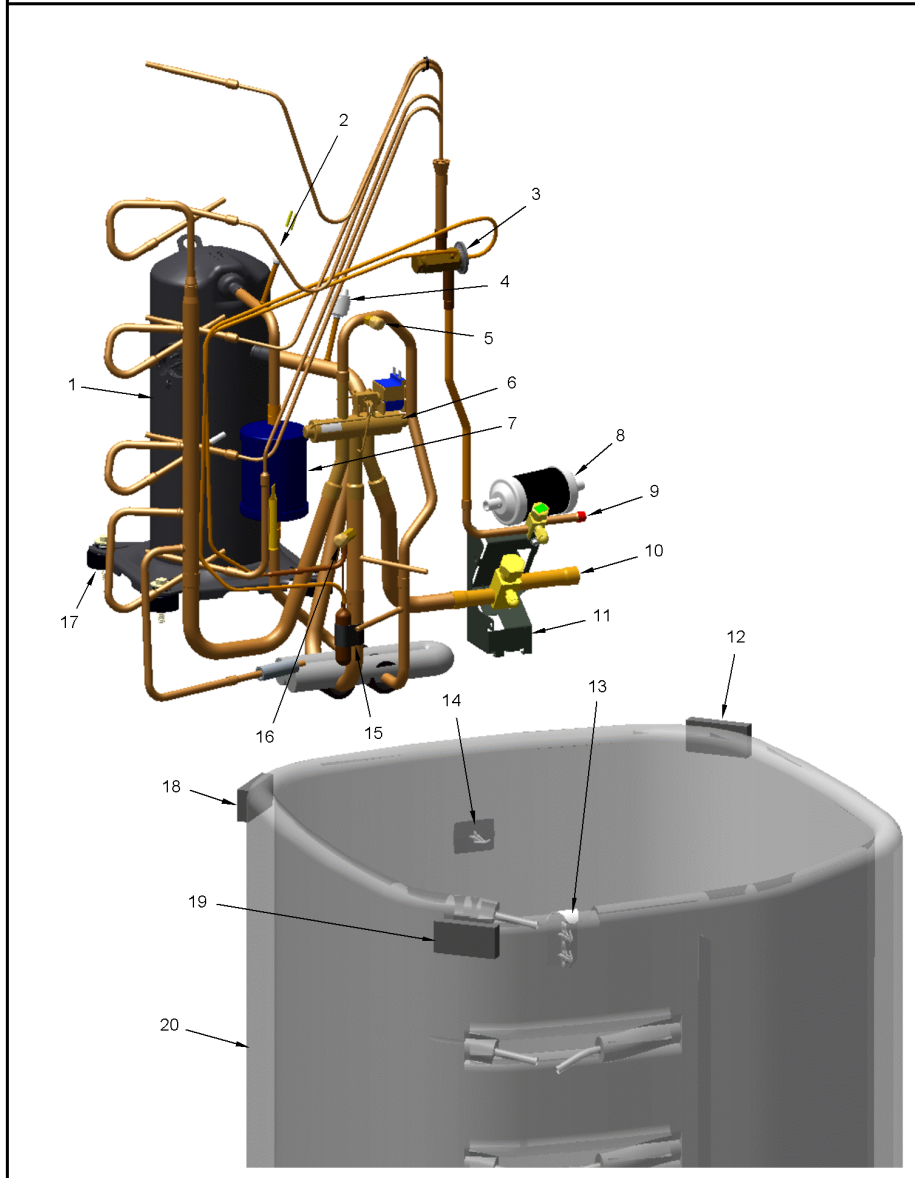
| Part No. | Reference No. | Quantity | Description |
|--------------|---------------|----------|--------------------------|
| 0000032898~P | * | | REFRIGERATION PARTS LIST |

REFRIGERATION

75010794

REV
A

TYPICAL ILLUSTRATION



| Part No. | Reference No. | Quantity | Description |
|----------|---------------|----------|--|
| CAP00455 | * | 3 | CAP; HUB, 7/16-20 STRAIGHT |
| PAI00246 | * | 0 | PAINT; SPRAY, TARPAULIN GRAY (SHIPPING UOM 12 OZ HAZ) |
| SCR02010 | * | 4 | SCREW; 12-18 AB HXW 1/2 SN |
| SCR02054 | * | 4 | SCREW; 12-18 AB HXW 1/2 SN |
| SLV00082 | * | 0 | SLEEVE; |
| SLV00083 | * | 0 | SLEEVE; |
| TER00312 | * | 0 | TERMINAL; 8IN. TIE CABLE |
| TIE00007 | * | 0 | TIE;CABLE |
| TIE00023 | * | 7 | TIE;CABLE, 8.00IN. |
| TUB02810 | * | 16 | TUBE; TRANSITION |
| TUB11547 | * | 16 | TUBE; TRANSITION ASSEMBLY |
| TUB15622 | * | 1 | TUBE; TU ASM DISCHARGE BZ |
| VAL08884 | * | 1 | VALVE; SWITCHOVER, 6 TON, 5/8 IN ODF X 7/8 IDF CONNECTION (INCLUDES SOLENOID COIL) |
| CLP00181 | | 1 | CLIP; BULB |
| SWT03277 | 2 | 1 | SWITCH, HIGH PRESSURE, SPST, OPEN AT 650 PSIG, CLOSE AT 500 PSIG, 91 IN. YELLOW AND RED LEAD |
| VAL19890 | 3 | 1 | VALVE; SER GAS 0(14-14) |
| VAL19483 | 6 | 1 | VALVE; TEV HXCE 2 ZX200 |
| MFL00806 | 7 | 1 | MUFFLER; 1/2 ODF CONNECTION (DRIER COULD BE PAINTED EITHER SMOKE GRAY OR NAVY BLUE) |
| CAP01411 | 9 | 1 | CAP; SERVICE VALVE, BRASS, 1.19 OD X 0.93 ID X 17/16-20UN-2B |
| CAP01336 | 10 | 1 | CAP; SERVICE LIQUID VALVE, BRASS, 0.75 OD X 0.57 ID X 11/16-28UN-2B |
| BRK03020 | 11 | 1 | BRACKET; VALVE |
| CAP01431 | 15 | 1 | CAP; SERVICE VALVE |
| COR00103 | 16 | 1 | CORE; VALVE, .79 LENGTH, .206-36 UNS-1 MOD. THD |
| COL28897 | 20 | 0 | COIL; SPINE FIN |

| Part No. | Reference No. | Quantity | Description |
|--------------|---------------|----------|-----------------|
| 0000060540~P | * | | SOLENOID SYSTEM |

| Part No. | Reference No. | Quantity | Description |
|-----------------|----------------------|-----------------|--|
| PAI00246 | | 0 | PAINT; SPRAY, TARPAULIN GRAY (SHIPPING UOM 12 OZ HAZ) |
| SCR02010 | | 2 | SCREW; 12-18 AB HXW 1/2 SN |
| SCR02054 | | 2 | SCREW; 12-18 AB HXW 1/2 SN |
| COR00103 | 1 | 1 | CORE; VALVE, .79 LENGTH, .206-36 UNS-1 MOD. THD |
| BRK03020 | 2 | 1 | BRACKET; VALVE |
| VAL19890 | 3 | 1 | VALVE; SER GAS 0(14-14) |
| VAL20804 | 4 | 2 | VALVE; VALVE BODY |
| VAL08884 | 5 | 1 | VALVE; SWITCHOVER, 6 TON, 5/8 IN ODF X 7/8 IDF CONNECTION (INCLUDES SOLENOID COIL) |