

Part No.	Reference No.	Quantity	Description
0000163607~S	*		CABINET
0000163608~S	*		COMPRESSOR MOUNTING
0000171939~S	*		COMPRESSOR
0000163609~S	*		CONTROLS
0000163606~S	*		FAN
0000163613~S	*		GENERAL ASSEMBLY
0000163612~S	*		MODEL NUMBER DESCRIPTION
0000163610~S	*		REFRIGERATION
0000217954~S	*		SOLENOID VALVE

Part No.	Reference No.	Quantity	Description
0000032943~P	*		CABINET PARTS LIST

CABINET

75010774

REV.
A

TYPICAL ILLUSTRATION



Part No.	Reference No.	Quantity	Description
PAI00246	*	0	PAINT; SPRAY, TARPAULIN GRAY (SHIPPING UOM 12 OZ HAZ)
SCR02010	*	15	SCREW; 12-18 AB HXW 1/2 SN
SCR02054	*	15	SCREW; 12-18 AB HXW 1/2 SN
COV03358	1	1	COVER; TOP, 32.36 X 29.40
PNL13011	2	1	PANEL, WRAPPER, 19.55 X 29.33
PNL13004	3	1	PANEL, CORNER POST, 3.570 X 29.33
PNL13011	4	1	PANEL, WRAPPER, 19.55 X 29.33
COV03224	5	1	COVER, CONTROL, 11.32 X 18.11
BAS01833	6	1	BASE; 36.26 X 36.41 DIAGONALLY
COV03228	7	1	COVER, CONTROL BOTTOM
PNL13014	8	1	PANEL, ACCESS, 15.72 X 28.65
PNL13004	9	1	PANEL, CORNER POST, 3.570 X 29.33
PNL13007	10	1	PANEL, WRAPPER, 23.22 X 29.33
PNL13004	11	3	PANEL, CORNER POST, 3.570 X 29.33

COMPRESSOR

Parts List Number :0000163605

Model Number :4TWR5024N1000AA

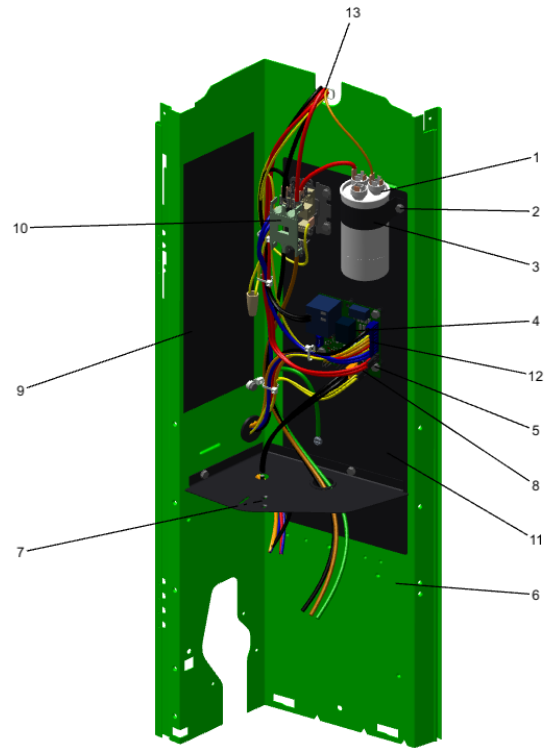
Part No.	Reference No.	Quantity	Description
0000037248~P	*		SCROLL COMPRESSOR

Part No.	Reference No.	Quantity	Description
COM13736	1	1	COMPRESSOR; LCA025C1CPA S

Part No.	Reference No.	Quantity	Description
0000032889~P	*		COMPRESSOR MTG

Part No.	Reference No.	Quantity	Description
ISR00007	*	4	ISOLATOR; VIBRATION
KIT08039	*	4	KIT; GROMMETS. COMPRESSOR MOUNTING. (CONSISTS OF 4), 0.44 ID X 1.63 OD NEOPRENE RUBBER-BLACK 45-55 DUROMETER
SCR01914	*	4	SCREW, ASSEMBLY COMPRESSOR, 5/16-12 TYPE B, W/WASHER & SLEEVE

Part No.	Reference No.	Quantity	Description
0000032892~P	*		CONTROLS PARTS LIST



Part No.	Reference No.	Quantity	Description
CNT08177	*	1	CONTROL; DEFROST
PAI00246	*	0	PAINT; SPRAY, TARPAULIN GRAY (SHIPPING UOM 12 OZ HAZ)
PNL13027	*	1	PANEL; CONTROL PANEL BASE, 31.14 HEIGHT
SCR01918	*	7	SCREW, 10-24 THREAD ROLL, INDENT HEX WASHER HD
SCR01924	*	3	SCREW; 6-32 X .75, THREAD ROLLING SCREWS-ZINC PLATED, HEX WASHER
SEN02353	*	1	SENSOR; ASSEMBLY, AMBIENT, 10 IN WIRE LENGTH, -40C TO 105C OP TEMP RANGE, 14 IN WIRE LENGTH
SEN02908	*	1	SENSOR; COIL, 5/16 CLIP, YELLOW WIRES, 43 IN LENGTH
SRP00269	*	1	STRAP; CAPACITOR
WIR03324	*	1	WIRE, PLUG-SCROLL COMPRESSOR
WIR07598	*	1	WIRE; HARNESS, 9 PIN TO J4 ON DFC
CPT00977	1	1	CAPACITOR; DUAL, 35/5 MFD, 440V, ROUND, W/O RESISTOR
SHD00387	9	1	SHIELD; MOISTURE, 10.25 X 4.00
CTR00845	10	1	CONTACTOR; 30 AMP, 240/480/600V, 24V COIL, 1 POLE
SHD00386	11	1	SHIELD; MOISTURE, 12.75 X 5.00

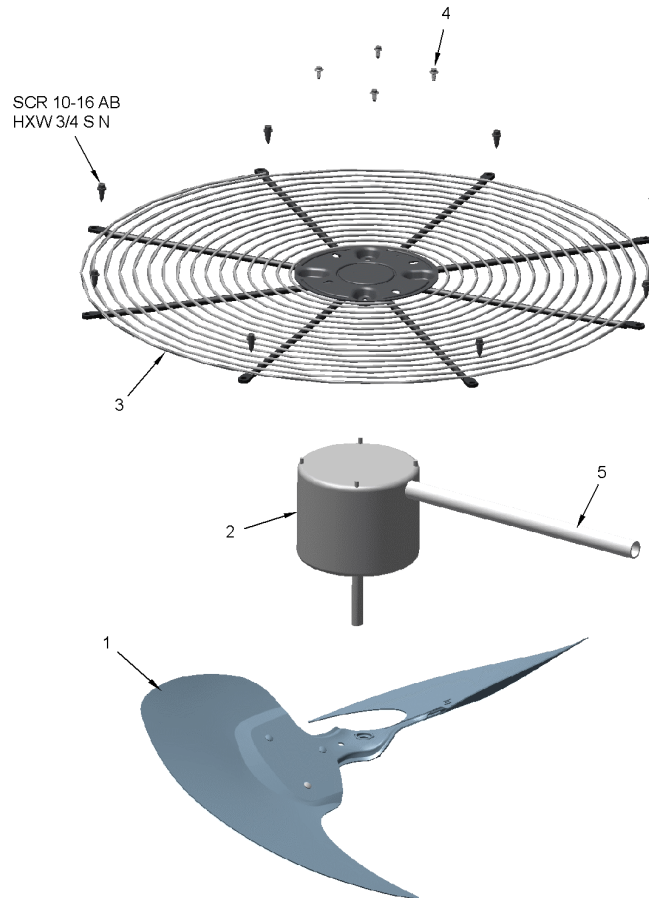
Part No.	Reference No.	Quantity	Description
0000030331~P	*		FAN PARTS LIST

FAN

75010673

REV
A

TYPICAL ILLUSTRATION



Part No.	Reference No.	Quantity	Description
FAN03657	1	1	FAN, 2 SWEPT BLADE, 23" DIA, 24.5 DEGREES PITCH, .50" BORE, CCW, ALUMINUM, 1 SET SCREW-STEEL, SPIDER .075 THK, FINISH/PAINT
MOT16968	2	1	MOTOR; 1/8 HP
GRD01415	3	1	GUARD, TROUGH-LEAD
SCR02086	4	4	SCREW; 10-32 TR-3 HXW 3/8 S

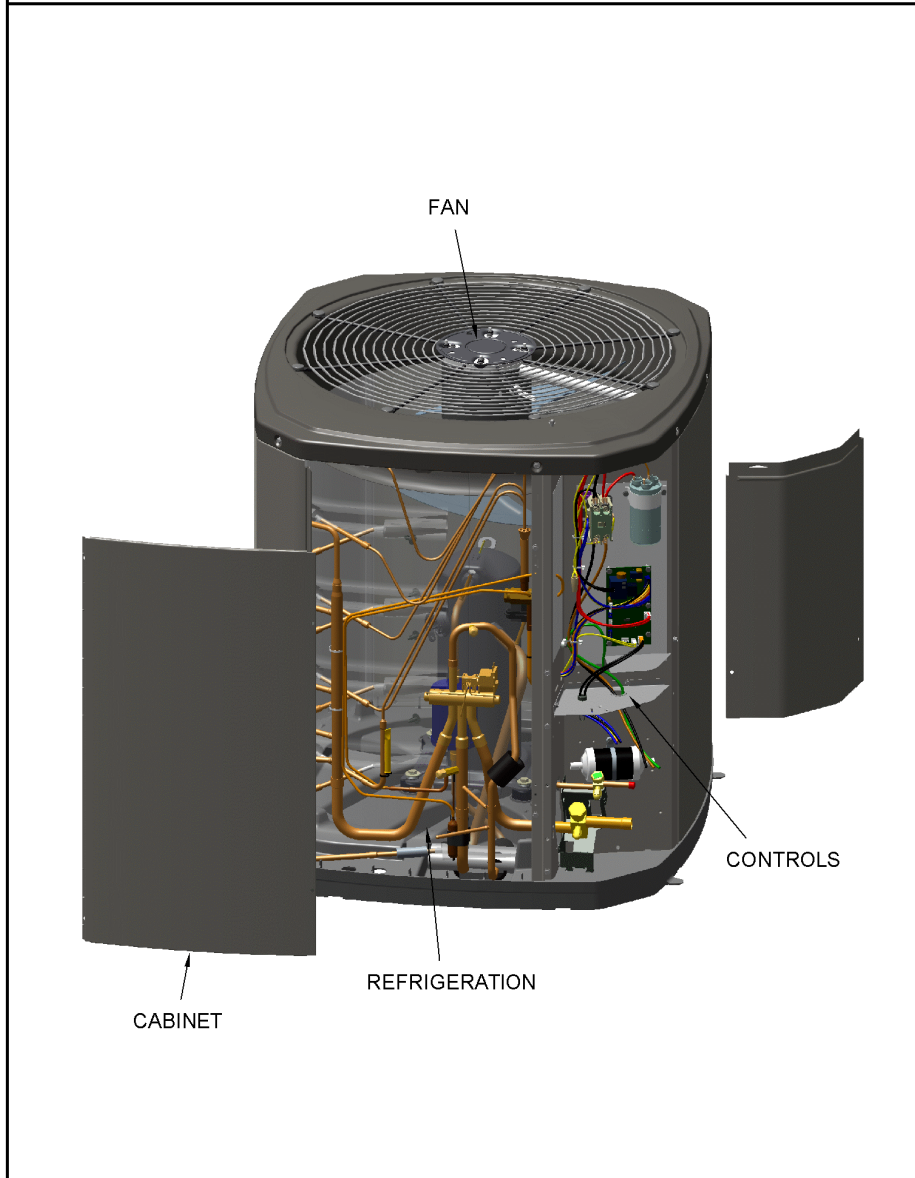
Part No.	Reference No.	Quantity	Description
000006274~P	*		GENERAL ASSEMBLY GRAPHIC

SPLIT SYSTEM HEAT PUMP

75010773

REV.
A

TYPICAL ILLUSTRATION



Part No.	Reference No.	Quantity	Description
000006277~P	*		MODEL NUMBER GRAPHIC

MODEL NUMBER DESCRIPTION

75005586

REV
D

OUTDOOR UNITS

Example Model Number:

4 TWV 00 3 6 A 1 0 0 0 A A
1 - - - 5 - - - 10 - - - 15

Digit 1 – Refrigerant Type

2 = R-22
4 = R-410A

Digit 2 – Trane

Digit 3 – Product Type

W = Split Heat Pump
T = Split Cooling

Digit 4 – Product Family

V = Variable Speed
Z = Leadership - Two Stage
X = Leadership
R = Replacement/Retail
M or B = Basic
A = Light Commercial
L = Side Discharge

Digit 5 – Family SEER

3 = 13 7 = 17
4 = 14 9 = 19
5 = 15 9 = 19
6 = 16 0 = 20

Digits 6 – Split System Connections 1-6 Tons

0 = Brazed

Digits 7,8 – Nominal Capacity in 000s BTUs

Digit 9 – Major Design Modifications

Digit 10 – Power Supply

1 = 200-230/1/60 or 208-230/1/60
3 = 200-230/3/60
4 = 460/3/60

Digit 11,12,13 – Secondary Function

Digit 14 – Minor Design Modifications

Digit 15 – Unit Parts Identifier

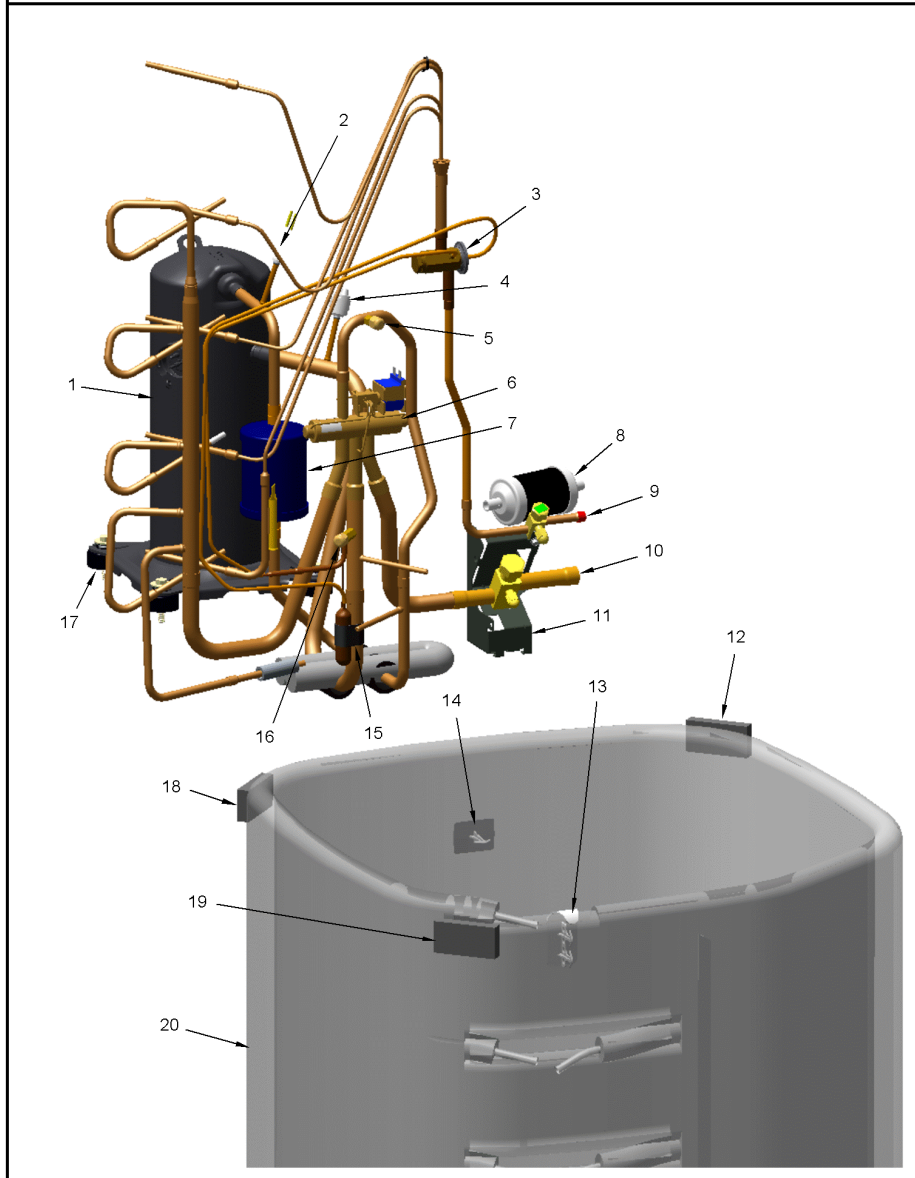
Part No.	Reference No.	Quantity	Description
0000032938~P	*		REFRIGERATION PARTS LIST
0000037268~P	*		REFRIGERATION PARTS LIST

REFRIGERATION

75010794

REV
A

TYPICAL ILLUSTRATION



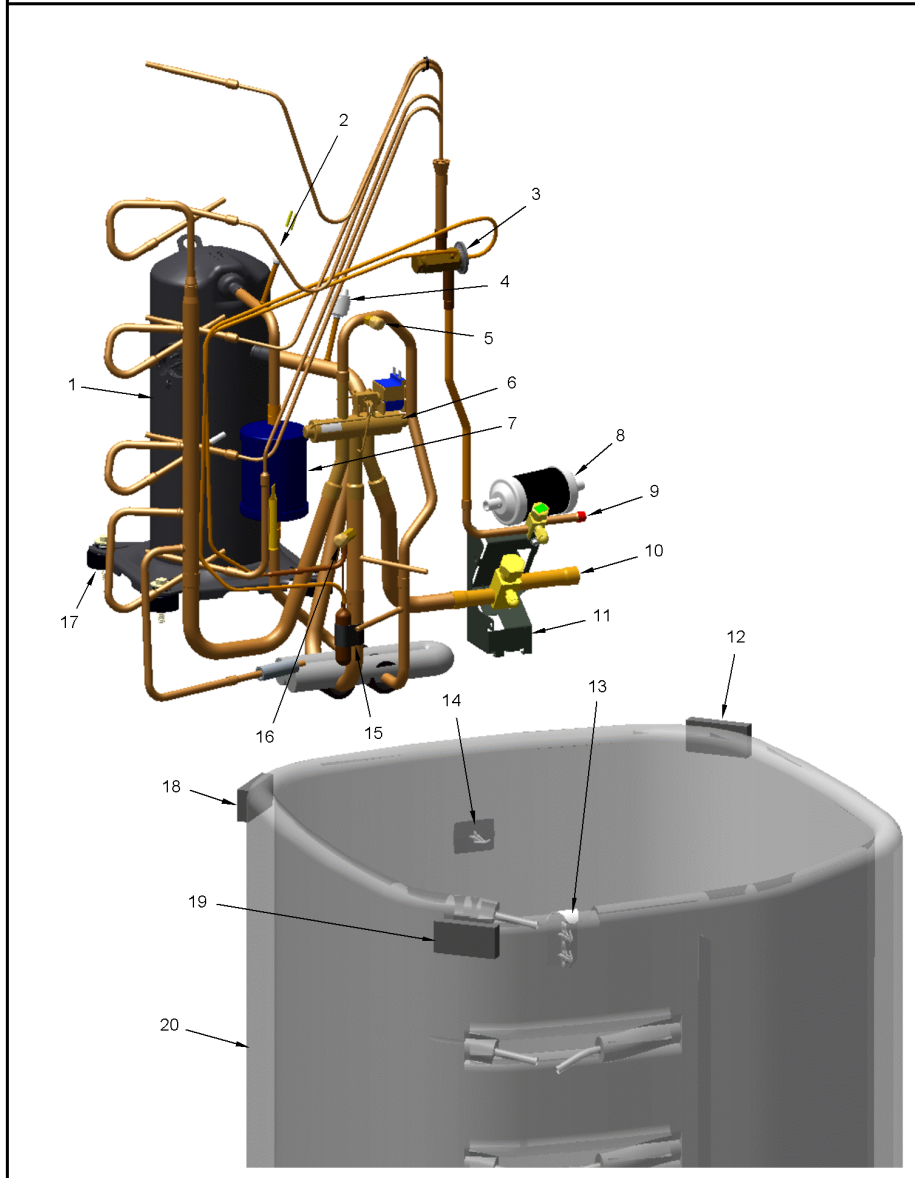
Part No.	Reference No.	Quantity	Description
CAP00455	*	2	CAP; HUB, 7/16-20 STRAIGHT
CLP00233	*	1	CLIP; HOLDING
PAI00246	*	0	PAINT; SPRAY, TARPAULIN GRAY (SHIPPING UOM 12 OZ HAZ)
PLU00417	*	0	PLUG; TUBE
SCR02010	*	4	SCREW; 12-18 AB HXW 1/2 SN
SCR02054	*	4	SCREW; 12-18 AB HXW 1/2 SN
SLV00082	*	0	SLEEVE;
SLV00083	*	0	SLEEVE;
TER00312	*	0	TERMINAL; 8IN. TIE CABLE
TIE00007	*	0	TIE;CABLE
TIE00023	*	7	TIE;CABLE, 8.00IN.
TUB02810	*	10	TUBE; TRANSITION
TUB11547	*	10	TUBE; TRANSITION ASSEMBLY
TUB15481	*	1	TUBE; TU ASM-SUCTION BZ
TUB15482	*	1	TUBE; TU ASM-DISCHARGE BZ
TUB15937	*	1	TUBE; TU ASM-VLV
SWT03274	2	1	SWITCH, HIGH PRESSURE, SPST, OPEN @ 650 PSIG, CLOSE @ 500 PSIG, 75" YELLOW LEAD
VAL19486	3	1	VALVE; TEV HXCE 1 ZX200
SWT04657	4	1	SWITCH; LOW PRESSURE BZ
VAL08991	6	1	VALVE; SWITCHOVER, 3 TON, .50 IDF X .75 OD, W/ 24V SOLENOID COIL
MFL00806	7	1	MUFFLER; 1/2 ODF CONNECTION (DRIER COULD BE PAINTED EITHER SMOKE GRAY OR NAVY BLUE)
VAL20681	9	1	VALVE-SER LIQ O(06-06)
CAP01315	9a	1	CAP; SERVICE LIQUID VALVE, BRASS, 1.06 OD X 0.81 ID X 15/16-20UNEF-2B
VAL20399	10	1	VALVE; SERVICE GAS ASSEMBLY, 0.75 ODS X 0.75 ODS, FEMALE BRAZE TO FEMALE BRAZE, LEFT HAND MOUNTING HOLES
CAP01336	10a	1	CAP; SERVICE LIQUID VALVE, BRASS, 0.75 OD X 0.57 ID X 11/16-28UN-2B
BRK03020	11	1	BRACKET; VALVE
CLP00223	15	1	CLIP; BULB
COR00103	16	1	CORE; VALVE, .79 LENGTH, .206-36 UNS-1 MOD. THD
COL28895	20	0	COIL ASM-REPL

REFRIGERATION

75010794

REV
A

TYPICAL ILLUSTRATION



Part No.	Reference No.	Quantity	Description
CAP00455	*	2	CAP; HUB, 7/16-20 STRAIGHT
CLP00233	*	1	CLIP; HOLDING
PAI00246	*	0	PAINT; SPRAY, TARPAULIN GRAY (SHIPPING UOM 12 OZ HAZ)
PLU00417	*	0	PLUG; TUBE
SCR02010	*	4	SCREW; 12-18 AB HXW 1/2 SN
SCR02054	*	4	SCREW; 12-18 AB HXW 1/2 SN
SLV00082	*	0	SLEEVE;
SLV00083	*	0	SLEEVE;
TER00312	*	0	TERMINAL; 8IN. TIE CABLE
TIE00007	*	0	TIE;CABLE
TIE00023	*	7	TIE;CABLE, 8.00IN.
TUB02810	*	10	TUBE; TRANSITION
TUB11547	*	10	TUBE; TRANSITION ASSEMBLY
TUB15481	*	1	TUBE; TU ASM-SUCTION BZ
TUB15482	*	1	TUBE; TU ASM-DISCHARGE BZ
SWT03274	2	1	SWITCH, HIGH PRESSURE, SPST, OPEN @ 650 PSIG, CLOSE @ 500 PSIG, 75" YELLOW LEAD
VAL19486	3	1	VALVE; TEV HXCE 1 ZX200
SWT04657	4	1	SWITCH; LOW PRESSURE BZ
VAL09013	6	1	VALVE; SWITCHOVER, 2 TON, .625 ID X .500 OD, W/ 24V SOLENOID COIL
MFL00806	7	1	MUFFLER; 1/2 ODF CONNECTION (DRIER COULD BE PAINTED EITHER SMOKE GRAY OR NAVY BLUE)
VAL20681	9	1	VALVE-SER LIQ O(06-06)
CAP01315	9a	1	CAP; SERVICE LIQUID VALVE, BRASS, 1.06 OD X 0.81 ID X 15/16-20UNEF-2B
VAL20399	10	1	VALVE; SERVICE GAS ASSEMBLY, 0.75 ODS X 0.75 ODS, FEMALE BRAZE TO FEMALE BRAZE, LEFT HAND MOUNTING HOLES
CAP01336	10a	1	CAP; SERVICE LIQUID VALVE, BRASS, 0.75 OD X 0.57 ID X 11/16-28UN-2B
BRK03696	11	1	BRACKET; VALVE
CLP00223	15	1	CLIP; BULB
COR00103	16	2	CORE; VALVE, .79 LENGTH, .206-36 UNS-1 MOD. THD
COL28895	20	0	COIL ASM-REPL

Part No.	Reference No.	Quantity	Description
0000060538~P	*		SOLENOID SYSTEM

Part No.	Reference No.	Quantity	Description
PAI00246		0	PAINT; SPRAY, TARPAULIN GRAY (SHIPPING UOM 12 OZ HAZ)
SCR02010		2	SCREW; 12-18 AB HXW 1/2 SN
SCR02054		2	SCREW; 12-18 AB HXW 1/2 SN
TUB15937		1	TUBE; TU ASM-VLV
COR00103	1	1	CORE; VALVE, .79 LENGTH, .206-36 UNS-1 MOD. THD
BRK03020	2	1	BRACKET; VALVE
VAL20399	3	1	VALVE; SERVICE GAS ASSEMBLY, 0.75 ODS X 0.75 ODS, FEMALE BRAZE TO FEMALE BRAZE, LEFT HAND MOUNTING HOLES
VAL20804	4	2	VALVE; VALVE BODY
VAL08991	5	1	VALVE; SWITCHOVER, 3 TON, .50 IDF X .75 OD, W/ 24V SOLENOID COIL