

Part No.	Reference No.	Quantity	Description
0000147505~S	*		CABINET
0000147504~S	*		CONTROLS
0000147503~S	*		FAN
0000147501~S	*		GENERAL ASSEMBLY
0000147507~S	*		MODEL NUMBER DESCRIPTION
0000147506~S	*		OPTIONAL FIELD INSTALLED ACCESSORIES
0000147502~S	*		REFERIGERATION

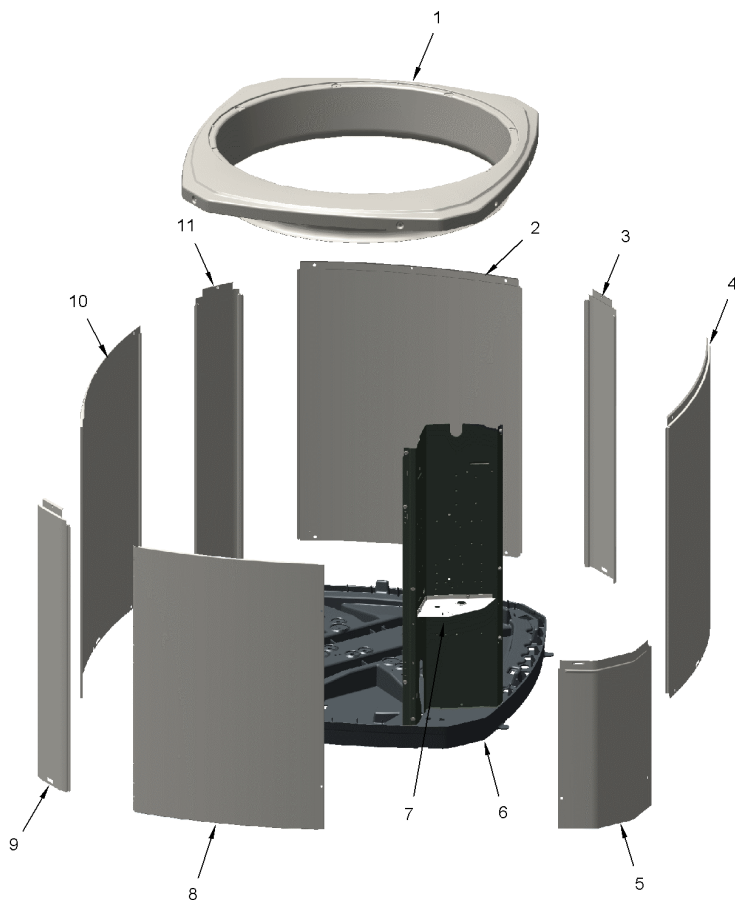
Part No.	Reference No.	Quantity	Description
0000025992~P	*		CABINET PARTS LIST

CABINET

75010796

REV.
A

TYPICAL ILLUSTRATION



Part No.	Reference No.	Quantity	Description
PAI00246	*	0	PAINT; SPRAY, TARPAULIN GRAY (SHIPPING UOM 12 OZ HAZ)
SCR02010	*	15	SCREW; 12-18 AB HXW 1/2 SN
SCR02054	*	15	SCREW; 12-18 AB HXW 1/2 SN
COV03358	1	1	COVER; TOP, 32.36 X 29.40
PNL13004	4	3	PANEL, CORNER POST, 3.570 X 29.33
COV03228	5	1	COVER, CONTROL BOTTOM
BAS01833	6	1	BASE; 36.26 X 36.41 DIAGONALLY
COV03224	7	1	COVER, CONTROL, 11.32 X 18.11
PNL13011	8	2	PANEL, WRAPPER, 19.55 X 29.33
PNL13007	10	1	PANEL, WRAPPER, 23.22 X 29.33
PNL13014	11	1	PANEL, ACCESS, 15.72 X 28.65

Part No.	Reference No.	Quantity	Description
0000026014~P	*		CONTROLS PARTS LIST

CONTROLS

75010701

REV
A

TYPICAL ILLUSTRATION



Part No.	Reference No.	Quantity	Description
CON00241	*	1	CONNECTOR; WIRE
PAI00246	*	0	PAINT; SPRAY, TARPAULIN GRAY (SHIPPING UOM 12 OZ HAZ)
PNL25790	*	1	PANEL, CONTROL PANEL BASE, 39.14 HEIGHT
PNL31534	*	1	PANEL; VOLTAGE BARRIER; 4.45 X 3.06, BLACK POLYPROPYLENE
SCR01812	*	1	SCREW; 6-32 MA HXW 3/8 S
SCR01918	*	8	SCREW, 10-24 THREAD ROLL, INDENT HEX WASHER HD
SCR01924	*	5	SCREW; 6-32 X .75, THREAD ROLLING SCREWS-ZINC PLATED, HEX WASHER
SEN02353	*	1	SENSOR; ASSEMBLY, AMBIENT, 10 IN WIRE LENGTH, -40C TO 105C OP TEMP RANGE, 14 IN WIRE LENGTH
SEN02907	*	1	SENSOR; COIL, 5/16 CLIP, YELLOW WIRES, 54 IN LENGTH
SRP00269	*	1	STRAP; CAPACITOR
TER00312	*	4	TERMINAL; 8IN. TIE CABLE
TIE00007	*	4	TIE;CABLE
WIR04816	*	1	WIRE; PLUG-SCROLL COMPRESSOR
WIR07598	*	1	WIRE; HARNESS, 9 PIN TO J4 ON DFC
WIR07599	*	1	WIRE; HARNESS, CONTROL BOX, K2B ON DFC TO MS & MOTOR
CPT00449	1	1	CAPACITOR; RUN, 45 MFD, 370V, ROUND, W/O RESISTOR
SHD00386	2	1	SHIELD; MOISTURE, 12.75 X 5.00
CNT08176	3	1	CONTROL; DEFROST, 5.5 X 3.0
CTR01028	4	1	CONTACTOR; 2P, 40A 600V CONTACTS, 24 CV, 60HZ
SHD00387	5	1	SHIELD; MOISTURE, 10.25 X 4.00

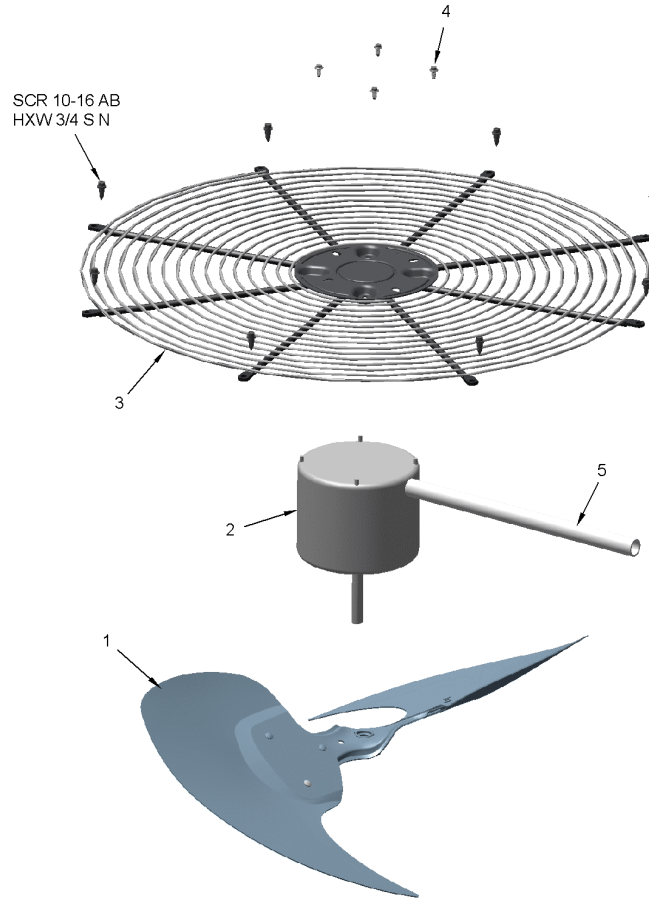
Part No.	Reference No.	Quantity	Description
0000026010~P	*		FAN PARTS LIST

FAN

75010673

REV
A

TYPICAL ILLUSTRATION



Part No.	Reference No.	Quantity	Description
FAN03657	1	1	FAN, 2 SWEPT BLADE, 23" DIA, 24.5 DEGREES PITCH, .50" BORE, CCW, ALUMINUM, 1 SET SCREW-STEEL, SPIDER .075 THK, FINISH/PAINT
MOT16968	2	1	MOTOR; 1/8 HP
GRL01347	3	1	GRILLE; FAN, 25.51 MOUNTING DIA
SCR02086	4	4	SCREW; 10-32 TR-3 HXW 3/8 S
GRD01415	5	1	GUARD, TROUGH-LEAD

Part No.	Reference No.	Quantity	Description
0000026007~P	*		GENERAL ASSEMBLY GRAPHIC

SPLIT SYSTEM HEAT PUMP

75010773

REV.
A

TYPICAL ILLUSTRATION



Part No.	Reference No.	Quantity	Description
0000026091~P	*		MODEL NUMBER DESCRIPTION

MODEL NUMBER DESCRIPTION

75005587

REL
C

OUTDOOR UNITS

Example Model Number:

4 A 7 A 0 0 3 6 A 1 0 0 0 A A
1 - - - 5 - - - 10 - - - 15

Digit 1 – Refrigerant Type

2 = R-22
4 = R-410A

Digit 2 – American Standard

Digit 3 – Product Type

6,W = Split Heat Pump
7,T = Split Cooling

Digit 4 – Product Family

V = Variable Speed
Z = Leadership - Two Stage
X = Leadership
R = Replacement/Retail
M or B = Basic
A = Light Commercial
L = Side Discharge

Digit 5 – Family SEER

3 = 13 7 = 17
4 = 14 8 = 18
5 = 15 9 = 19
6 = 16 0 = 20

Digits 6 – Split System Connections 1-6 Tons

0 = Brazed

Digits 7,8 – Nominal Capacity in 000s BTUs

Digit 9 – Major Design Modifications

Digit 10 – Power Supply

1 = 200-230/1/60 or 208-230/1/60
3 = 200-230/3/60
4 = 460/3/60

Digit 11,12,13 – Secondary Function

Digit 14 – Minor Design Modifications

Digit 15 – Unit Parts Identifier

Parts List Number :0000147281

Model Number :4TWR5024H1000BA

Part No.	Reference No.	Quantity	Description
000006338~P	*		OPTIONAL ACCESSORIES LIST

Part No.	Reference No.	Quantity	Description
AY28X084	*	1	KIT; LOW TEMPERATURE COOLING (AY28X084)
BAYCCHT302RES	*	1	KIT; CRANKCASE HEATER FOR SCROLLS, 40W, 230V (BAYCCHT302RES), 5.5 DIA, 74 IN LENGTH
BAYECMT023	*	1	KIT; EXTREME MOUNTING CONDITION (BAYECMT023)
BAYISLT101	*	1	KIT; ISOLATOR (BAYISLT101) (CONTAINS A QTY OF 5 ISOLATORS)
BAYSKT263	*	1	KIT; COMPRESSOR START KIT
BAYLEGS004	*	1	KIT; SNOW LEGS, CONTAINS (4) 4" MOUNTING LEGS
BAYLEGS007	*	1	KIT; SNOW LEGS, CONTAINS (4) 7" MOUNTING LEGS
BAYLOAM107	*	1	LOW AMBIENT KIT
BAYSDEN003	*	1	KIT; SOUND ENCLOSURE, (BAYSDEN003), (MODELS WITH SMALL FRAME (QUANTUM) SCROLL COMPRESSORS NO LARGER THAN 16.4" TALL OR 6.6" IN DIAMETER EXCEPT IN CABI)
BAYSEAC001	*	1	KIT; SEA COAST (BAYSEAC001)
BAYTWGR0003	*	1	KIT; WEATHERGUARD TOP (FITS BASE SIZES 33W X 30D)
PAI00309	*	1	PAINT; DARK BROWN, 12 OZ SPRAY CAN, HERESITE AIR DRY PHENOLIC COATING, VR-554T
TAYASCT501A	*	1	KIT; TIME DELAY (TAYASCT501A) - 5 MINUTE RELAY ONLY IS RLY01343
TAYSVPANL0032A	*	1	PANEL; SERVICE VALVE PANEL COVER KIT (TAYSVPANL0032A)

Part No.	Reference No.	Quantity	Description
0000025818~P	*		REFRIGERATION PARTS LIST

REFRIGERATION

75010794

REV
A

TYPICAL ILLUSTRATION



Part No.	Reference No.	Quantity	Description
CAP00455	*	2	CAP; HUB, 7/16-20 STRAIGHT
CAP01315	*	1	CAP; SERVICE LIQUID VALVE, BRASS, 1.06 OD X 0.81 ID X 15/16-20UNEF-2B
CAP01336	*	1	CAP; SERVICE LIQUID VALVE, BRASS, 0.75 OD X 0.57 ID X 11/16-28UN-2B
CLP00233	*	1	CLIP; HOLDING
PAI00246	*	0	PAINT; SPRAY, TARPAULIN GRAY (SHIPPING UOM 12 OZ HAZ)
PLU00417	*	0	PLUG; TUBE
SCR02010	*	4	SCREW; 12-18 AB HXW 1/2 SN
SLV00082	*	0	SLEEVE;
SLV00083	*	0	SLEEVE;
TER00312	*	0	TERMINAL; 8IN. TIE CABLE
TIE00007	*	0	TIE;CABLE
TIE00023	*	7	TIE;CABLE, 8.00IN.
TUB02810	*	10	TUBE; TRANSITION
TUB11547	*	10	TUBE; TRANSITION ASSEMBLY
TUB15481	*	1	TUBE; TU ASM-SUCTION BZ
TUB15482	*	1	TUBE; TU ASM-DISCHARGE BZ
COM13598	1	1	COMPRESSOR; SCROLL, 1.67 TON, R-410A, 230V/1PH/60HZ WITH HYBRID MOTOR
SWT03274	2	1	SWITCH, HIGH PRESSURE, SPST, OPEN @ 650 PSIG, CLOSE @ 500 PSIG, 75" YELLOW LEAD
VAL19486	3	1	VALVE; TEV HXCE 1 ZX200
COR00103	5	1	CORE; VALVE, .79 LENGTH, .206-36 UNS-1 MOD. THD
VAL08991	6	1	VALVE; SWITCHOVER, 3 TON, .50 IDF X .75 OD, W/ 24V SOLENOID COIL
MFL00806	7	1	MUFFLER; 1/2 ODF CONNECTION (DRIER COULD BE PAINTED EITHER SMOKE GRAY OR NAVY BLUE)
BRK03020	11	1	BRACKET; VALVE
CLP00223	15	1	CLIP; BULB
COM13598	16	1	COMPRESSOR; SCROLL, 1.67 TON, R-410A, 230V/1PH/60HZ WITH HYBRID MOTOR
SCR02054	17	4	SCREW; 12-18 AB HXW 1/2 SN
COL28895	20	0	COIL ASM-REPL