

SPLIT SYSTEM HEAT PUMP

75010773

REV
A

TYPICAL ILLUSTRATION



| Part No. | Reference No. | Quantity | Description |
|----------------------------|----------------------|-----------------|--------------------------------------|
| 75010774#4TWR5UP7~S | * | | CABINETRY |
| 75010775#4TWR5UP7~S | * | | CONTROLS |
| 75010673#4TWR5UP7~S | * | | FAN |
| 75005586#4TWR5UP7~S | * | | MODEL NUMBER DESCRIPTION |
| OPTIONS#4TWR5UP7~S | * | | OPTIONAL FIELD INSTALLED ACCESSORIES |
| 75010794#4TWR5UP7~S | * | | REFRIGERATION |
| 75010773_4TWR5UP7_249905~P | * | | SPLIT SYSTEM HEAT PUMP PARTS LIST |

SPLIT SYSTEM HEAT PUMP

75010773

REV.
A

TYPICAL ILLUSTRATION



REFRIGERATION

75010794

REV
A

TYPICAL ILLUSTRATION



Parts List Number :75010773#4TWR5UP7

Model Number :4TWR5019H1000AB

| Part No. | Reference No. | Quantity | Description |
|----------------------------|---------------|----------|--------------------------|
| 75010794_4TWR5UP7_249910-P | * | | REFRIGERATION PARTS LIST |

REFRIGERATION

75010794

REV
A

TYPICAL ILLUSTRATION



| Part No. | Reference No. | Quantity | Description |
|----------|---------------|----------|--|
| SPC00386 | * | 1 | SPACER; BASE, 5.50 X 1.00 X 0.50 |
| TUB11538 | * | 1 | TUBE; RUBBER-BULB-TUBING, 1.125 DIAMETER, 26.000 LENGTH |
| TUB11542 | * | 1 | TUBE; RUBBER-EQUAL-TUBING, .375 DIAMETER, 25.000 LENGTH |
| WIR03324 | * | 1 | WIRE, PLUG-SCROLL COMPRESSOR |
| COM12081 | 1 | 1 | COMPRESSOR; SCROLL; ALLIANCE; SBA016C1CPA; 1.5 TON; 16,000 BTUH; 208/230-60-1; R-410A; BRAZED; SUCTION 3/4; DISCHARGE 1/2 |
| SWT03274 | 2 | 1 | SWITCH, HIGH PRESSURE, SPST, OPEN @ 650 PSIG, CLOSE @ 500 PSIG, 75" YELLOW LEAD |
| VAL11813 | 3 | 1 | VALVE; EXPANSION, 1 TON, 3/8 IN ODF INLET X 1/2 IN ODF OUTLET, 82/123 PSIG |
| SWT03876 | 4 | 1 | SWITCH; LOW PRESSURE, OPENS AT 35 PSI AND CLOSSES AT 55 PSI. |
| BOD00114 | 5 | 1 | BODY; VALVE, BRASS, 7/16 HEX, 7/16 -20 UNF-2A |
| VAL08991 | 6 | 1 | VALVE; SWITCHOVER, 3 TON, .50 IDF X .75 OD, W/ 24V SOLENOID COIL |
| MFL00806 | 7 | 1 | MUFFLER; 1/2 ODF CONNECTION (DRIER COULD BE PAINTED EITHER SMOKE GRAY OR NAVY BLUE) |
| DHY01451 | 8 | 1 | DRIER; BI-FLOW; SERVICE FIRST; 8 CU. IN; DCB083S, 3/8 ODF CONNECTIONS; 2.3 TON CAPACITY; APPROVED FOR MINERAL OIL AND POE OIL REFRIGERANTS; MANUFACTUR |
| VAL09302 | 9 | 1 | VALVE, SERVICE LIQUID, .31 ODF X .38 ODF |
| VAL09296 | 10 | 1 | VALVE; SERVICE GAS ASSEMBLY, .75 ODS X .75 ODS, FEMALE BRAZE TO FEMALE BRAZE, LEFT HAND MOUNTING HOLES - D155662P02 |
| BRK03020 | 11 | 1 | BRACKET; VALVE |
| SPC00512 | 12 | 1 | SPACER; TUBING |
| SPC00513 | 14 | 3 | SPACER; COIL |
| CLP00223 | 15 | 1 | CLIP; BULB |
| COR00103 | 16 | 1 | CORE; VALVE, .79 LENGTH, .206-36 UNS-1 MOD. THD |
| ISR00007 | 17 | 4 | ISOLATOR; VIBRATION |
| SCR01914 | 17 | 4 | SCREW, ASSEMBLY COMPRESSOR, 5/16-12 TYPE B, W/WASHER & SLEEVE |
| SPC00512 | 18 | 1 | SPACER; TUBING |
| SPC00512 | 19 | 1 | SPACER; TUBING |
| COL25362 | 20 | 1 | COIL; SPINE FIN |

FAN

75010673

REV
A

TYPICAL ILLUSTRATION



Parts List Number :75010773#4TWR5UP7

Model Number :4TWR5019H1000AB

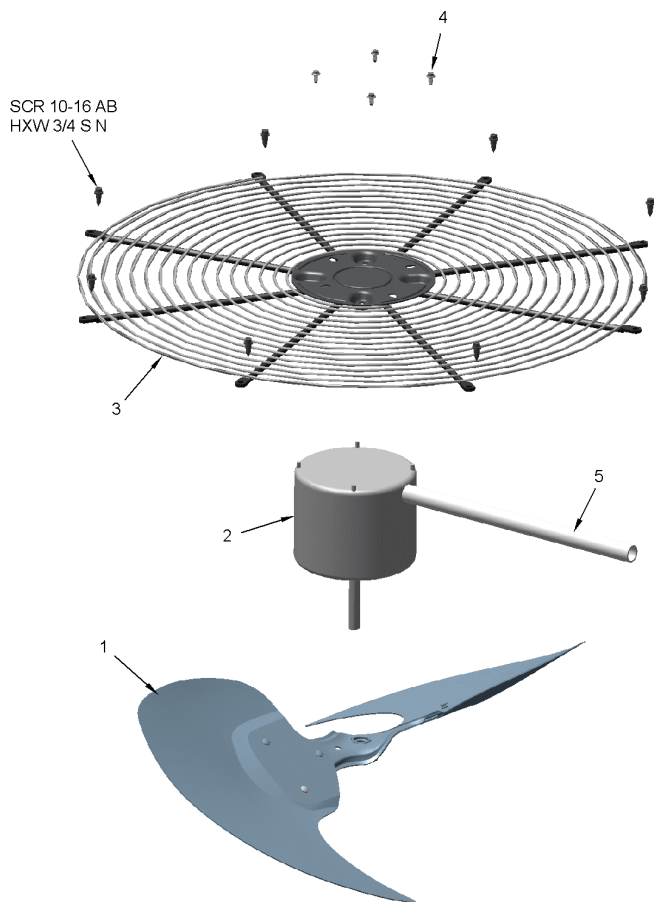
| Part No. | Reference No. | Quantity | Description |
|----------------------------|---------------|----------|----------------|
| 75010673_4TWR5UP7_249907-P | * | | FAN PARTS LIST |

FAN

75010673

REV
A

TYPICAL ILLUSTRATION



Parts List Number :75010773#4TWR5UP7

Model Number :4TWR5019H1000AB

| Part No. | Reference No. | Quantity | Description |
|-----------------|----------------------|-----------------|--|
| COV03250 | * | 1 | COVER; MOTOR, 6.86 DIA |
| FAN05634 | 1 | 1 | FAN, 2 SWEPT BLADE, 23" DIA, 19 DEG PITCH, 0.50" BORE, CCW |
| MOT17403 | 2 | 1 | MOTOR; 1/12 HP, 200-230/60/1, 48 FRAME |
| GRL01347 | 3 | 1 | GRILLE; FAN, 25.51 MOUNTING DIA |
| SCR02086 | 4 | 4 | SCREW; 10-32 TR-3 HXW 3/8 S |
| GRD01415 | 5 | 1 | GUARD, TROUGH-LEAD |

CONTROLS

75010775

REV.
A

TYPICAL ILLUSTRATION



Parts List Number :75010773#4TWR5UP7

Model Number :4TWR5019H1000AB

| Part No. | Reference No. | Quantity | Description |
|----------------------------|---------------|----------|---------------------|
| 75010775_4TWR5UP7_249909-P | * | | CONTROLS PARTS LIST |

CONTROLS

75010775

REV.
A

TYPICAL ILLUSTRATION



| Part No. | Reference No. | Quantity | Description |
|----------|---------------|----------|---|
| CON00241 | * | 1 | CONNECTOR; WIRE |
| RES00118 | * | 2 | RESISTOR; THERMISTOR , 260 OHMS AT 75 DEGREE F |
| CPT01843 | 1 | 1 | CAPACITOR, RUN, 30/5 MFD, 370V, ROUND, W/O RESISTOR |
| SHD00386 | 2 | 1 | SHIELD; MOISTURE, 12.75 X 5.00 |
| WIR07598 | 3 | 1 | WIRE; HARNESS, 9 PIN TO J4 ON DFC |
| CNT07482 | 4 | 1 | CONTROL, DEFROST BOARD |
| PNL31534 | 5 | 1 | PANEL; VOLTAGE BARRIER; 4.45 X 3.06, BLACK POLYPROPYLENE |
| SEN02353 | 6 | 1 | SENSOR; ASSEMBLY, AMBIENT, 10 IN WIRE LENGTH, -40C TO 105C OP TEMP RANGE, 14 IN WIRE LENGTH |
| PNL13027 | 7 | 1 | PANEL; CONTROL PANEL BASE, 31.14 HEIGHT |
| SEN01729 | 9 | 1 | SENSOR; ASSEMBLY, 9.75K OHMS RESISTANCE AT 75 DEG F, YELLOW LEADS |
| SHD00387 | 10 | 1 | SHIELD; MOISTURE, 10.25 X 4.00 |
| CTR00845 | 11 | 1 | CONTACTOR; 30 AMP, 240/480/600V, 24V COIL, 1 POLE |

CABINET

75010774

REV.
A

TYPICAL ILLUSTRATION



| Part No. | Reference No. | Quantity | Description |
|----------------------------|---------------|----------|---------------------|
| 75010774_4TWR5UP7_249908-P | * | | CABINETY PARTS LIST |

CABINET

75010774

REV.
A

TYPICAL ILLUSTRATION



| Part No. | Reference No. | Quantity | Description |
|----------|---------------|----------|--|
| PAI00246 | * | 1 | PAINT; SPRAY, TARPAULIN GRAY (SHIPPING UOM 12 OZ HAZ) |
| PAI00248 | * | 1 | PAINT; 12 OZ SPRAY, ANTHRACITE GRAY (SHIPPING UOM 12 OZ HAZ) |
| PLT04086 | * | 1 | PLATE; NAMEPLATE-TRANE LOGO, 9.0 X 1.82. THIS BADGE DOES NOT INCLUDE THE XR1# INSERT. FOR COMPLETE BADGE ORDER PLT03603, PLT04109 OR PLT04079. |
| SCR02010 | * | 15 | SCREW; 12-18 AB HXW 1/2 SN |
| COV03358 | 1 | 1 | COVER; TOP, 32.36 X 29.40 |
| PNL13011 | 2 | 1 | PANEL, WRAPPER, 19.55 X 29.33 |
| PNL13004 | 3 | 1 | PANEL, CORNER POST, 3.570 X 29.33 |
| PNL13011 | 4 | 1 | PANEL, WRAPPER, 19.55 X 29.33 |
| COV03224 | 5 | 1 | COVER, CONTROL, 11.32 X 18.11 |
| BAS01833 | 6 | 1 | BASE; 36.26 X 36.41 DIAGONALLY |
| COV03228 | 7 | 1 | COVER, CONTROL BOTTOM |
| PNL13014 | 8 | 1 | PANEL, ACCESS, 15.72 X 28.65 |
| PNL13004 | 9 | 1 | PANEL, CORNER POST, 3.570 X 29.33 |
| PNL13007 | 10 | 1 | PANEL, WRAPPER, 23.22 X 29.33 |
| PNL13004 | 11 | 1 | PANEL, CORNER POST, 3.570 X 29.33 |

MODEL NUMBER DESCRIPTION
OUTDOOR UNITS

75005586

REV
E

Example Model Number:

4 T W V 0 0 3 6 A 1 0 0 0 A A
1 - - - - 5 - - - - 10 - - - - 15

Digit 1 – Refrigerant Type

2 = R-22
4 = R-410A

Digit 2 – Trane

Digit 3 – Product Type

W = Split Heat Pump
T = Split Cooling

Digit 4 – Product Family

V = Variable Speed
Z = Leadership - Two Stage
X = Leadership
R = Replacement/Retail
M or B = Basic
A = Light Commercial
L = Side Discharge
S = Side Discharge 3 Phase

Digit 5 – Family SEER

3 = 13 7 = 17
4 = 14 8 = 18
5 = 15 9 = 19
6 = 16 0 = 20

Digits 6 – Split System Connections 1-6 Tons

0 = Brazed

Digits 7,8 – Nominal Capacity in 000s BTUs

Digit 9 – Major Design Modifications

Digit 10 – Power Supply

1 = 200-230/1/60 or 208-230/1/60
3 = 200-230/3/60
4 = 460/3/60
5 = 400/3/60
A = 220-240/1/50
D = 380-415/3/50

Digit 11,12,13 – Secondary Function

Digit 14 – Minor Design Modifications

Digit 15 – Unit Parts Identifier

| Part No. | Reference No. | Quantity | Description |
|----------------------------|---------------|----------|-------------------------------------|
| 75005586_4TWR5UP7_249906-P | * | | MODEL NUMBER DESCRIPTION PARTS LIST |

MODEL NUMBER DESCRIPTION

75005586

REV
D

OUTDOOR UNITS

Example Model Number:

4 TWV 00 3 6 A 1 0 0 0 A A
1 - - - 5 - - - 10 - - - 15

Digit 1 – Refrigerant Type

2 = R-22
4 = R-410A

Digit 2 – Trane

Digit 3 – Product Type

W = Split Heat Pump
T = Split Cooling

Digit 4 – Product Family

V = Variable Speed
Z = Leadership - Two Stage
X = Leadership
R = Replacement/Retail
M or B = Basic
A = Light Commercial
L = Side Discharge

Digit 5 – Family SEER

3 = 13 7 = 17
4 = 14 9 = 19
5 = 15 9 = 19
6 = 16 0 = 20

Digits 6 – Split System Connections 1-6 Tons

0 = Brazed

Digits 7,8 – Nominal Capacity in 000s BTUs

Digit 9 – Major Design Modifications

Digit 10 – Power Supply

1 = 200-230/1/60 or 208-230/1/60
3 = 200-230/3/60
4 = 460/3/60

Digit 11,12,13 – Secondary Function

Digit 14 – Minor Design Modifications

Digit 15 – Unit Parts Identifier

Parts List Number :75010773#4TWR5UP7

Model Number :4TWR5019H1000AB

| Part No. | Reference No. | Quantity | Description |
|-------------------------------|---------------|----------|---|
| OPTIONS_4TWR5UP7_249911~ P | * | | OPTIONAL FIELD INSTALLED ACCESSORIES PARTS LIST |

NO GRAPHIC AVAILABLE

75013702

REV
A

**NO
GRAPHIC
AVAILABLE**

Parts List Number :75010773#4TWR5UP7

Model Number :4TWR5019H1000AB

| Part No. | Reference No. | Quantity | Description |
|----------------|---------------|----------|---|
| BAYKSKT263 | * | 1 | KIT; COMPRESSOR START KIT |
| BAYLOAM107 | * | 1 | LOW AMBIENT KIT |
| KIT02134 | * | 1 | KIT-LOW TEMPERATURE COOLING (AY28X084) |
| KIT05354 | * | 1 | KIT; TIME DELAY (TAYASCT501A) - 5 MINUTE RELAY ONLY IS RLY01343 |
| KIT07731 | * | 1 | KIT; SNOW LEGS, CONTAINS (4) 6" MOUNTING LEGS (BAYLEGS002) |
| KIT07732 | * | 1 | KIT; SNOW LEGS, (4" EXTENSION KIT) (BAYLEGS003) |
| KIT08036 | * | 1 | KIT; SEA COAST (BAYSEAC001) |
| KIT08412 | * | 1 | KIT; SOUND ENCLOSURE, (BAYSDEN003), (MODELS WITH SMALL FRAME (QUANTUM) SCROLL COMPRESSORS NO LARGER THAN 16.4" TALL OR 6.6" IN DIAMETER EXCEPT IN CABINET HEIGHTS 25.0" OR SHORTER) |
| KIT09425 | * | 1 | KIT; ISOLATOR (BAYISLT101) (CONTAINS A QTY OF 5 ISOLATORS) |
| KIT15282 | * | 1 | KIT; EXTREME MOUNTING CONDITION (BAYECMT023) |
| KIT15752 | * | 1 | KIT; SUMP HEATER, 208/230V, 40W, BELLY BAND STYLE (BAYCCHT302), 74 IN LENGTH, 5.5 INCH DIA |
| PAI00309 | * | 1 | PAINT; DARK BROWN, 12 OZ SPRAY CAN, HERESITE AIR DRY PHENOLIC COATING, VR-554T |
| TAYSVPANL3343A | * | 1 | PANEL; SERVICE PANEL (TAYSVPANL3343A) |