

Part No.	Reference No.	Quantity	Description
0000163607~S	*		CABINET
0000163608~S	*		COMPRESSOR MOUNTING
0000171939~S	*		COMPRESSOR
0000163609~S	*		CONTROLS
0000163606~S	*		FAN
0000163613~S	*		GENERAL ASSEMBLY
0000163610~S	*		REFRIGERATION

Part No.	Reference No.	Quantity	Description
0000032944~P	*		CABINET PARTS LIST

CABINET

75010774

REV.
A

TYPICAL ILLUSTRATION



Part No.	Reference No.	Quantity	Description
PAI00246		0	PAINT; SPRAY, TARPAULIN GRAY (SHIPPING UOM 12 OZ HAZ)
SCR02010		17	SCREW; 12-18 AB HXW 1/2 SN
SCR02054		17	SCREW; 12-18 AB HXW 1/2 SN
COV03396	1	1	COVER; TOP
PNL25809	2	1	PANEL; WRAPPER, 23 X 41
PNL25807	3	1	PANEL; CORNER POST, 3.57 X 41.33
PNL25809	4	1	PANEL; WRAPPER, 23 X 41
COV03224	5	1	COVER, CONTROL, 11.32 X 18.11
BAS01834	6	1	BASE; 41.78 X 41.81 DIAGONALLY
COV03228	7	1	COVER, CONTROL BOTTOM
PNL25810	8	1	PANEL; ACCESS, 19.84 X 40.65
PNL25807	9	1	PANEL; CORNER POST, 3.57 X 41.33
PNL25808	10	1	PANEL; WRAPPER, 27 X 41.33
PNL25807	11	1	PANEL; CORNER POST, 3.57 X 41.33

COMPRESSOR

Parts List Number :0000163605

Model Number :4TWR4042N1000AA

Part No.	Reference No.	Quantity	Description
0000038499~P	*		SCROLL COMPRESSOR

Part No.	Reference No.	Quantity	Description
COM13577	1	1	COMPRESSOR; SCROLL, 2.83 TON, R-410A, 230V/1PH/60HZ WITH ALUMINUM MOTOR

Part No.	Reference No.	Quantity	Description
000032889~P	*		COMPRESSOR MTG

Part No.	Reference No.	Quantity	Description
ISR00007	*	4	ISOLATOR; VIBRATION
KIT08039	*	4	KIT; GROMMETS. COMPRESSOR MOUNTING. (CONSISTS OF 4), 0.44 ID X 1.63 OD NEOPRENE RUBBER-BLACK 45-55 DUROMETER
SCR01914	*	4	SCREW, ASSEMBLY COMPRESSOR, 5/16-12 TYPE B, W/WASHER & SLEEVE

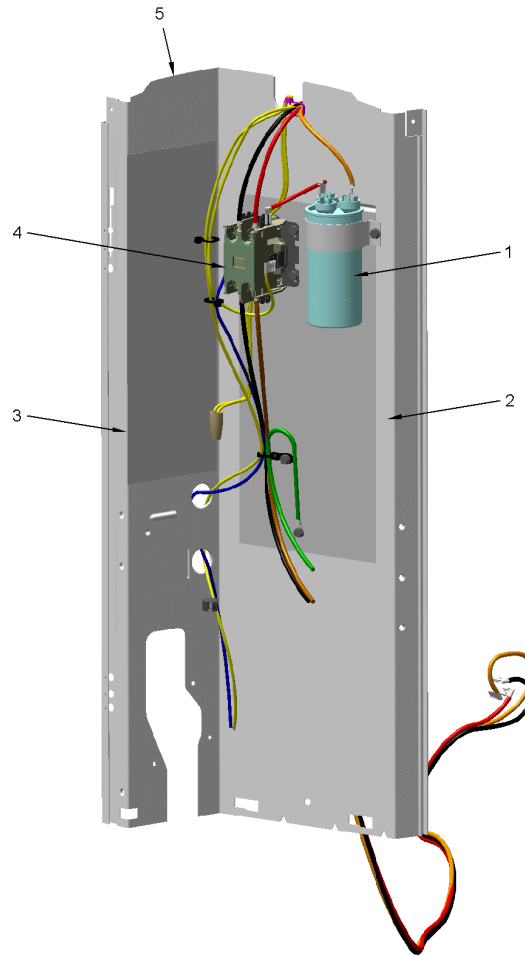
Part No.	Reference No.	Quantity	Description
0000032894~P	*		CONTROLS PARTS LIST

CONTROLS

75010701

REV
A

TYPICAL ILLUSTRATION



Part No.	Reference No.	Quantity	Description
CNT08176	*	1	CONTROL; DEFROST, 5.5 X 3.0
CON00241	*	1	CONNECTOR; WIRE
PAI00246	*	0	PAINT; SPRAY, TARPAULIN GRAY (SHIPPING UOM 12 OZ HAZ)
PNL25790	*	1	PANEL, CONTROL PANEL BASE, 39.14 HEIGHT
PNL31534	*	1	PANEL; VOLTAGE BARRIER; 4.45 X 3.06, BLACK POLYPROPYLENE
SCR01812	*	1	SCREW; 6-32 MA HXW 3/8 S
SCR01918	*	8	SCREW, 10-24 THREAD ROLL, INDENT HEX WASHER HD
SCR01924	*	5	SCREW; 6-32 X .75, THREAD ROLLING SCREWS-ZINC PLATED, HEX WASHER
SEN02353	*	1	SENSOR; ASSEMBLY, AMBIENT, 10 IN WIRE LENGTH, -40C TO 105C OP TEMP RANGE, 14 IN WIRE LENGTH
SEN02907	*	1	SENSOR; COIL, 5/16 CLIP, YELLOW WIRES, 54 IN LENGTH
SRP00269	*	1	STRAP; CAPACITOR
TER00312	*	4	TERMINAL; 8IN. TIE CABLE
TIE00007	*	4	TIE;CABLE
WIR04816	*	1	WIRE; PLUG-SCROLL COMPRESSOR
WIR07598	*	1	WIRE; HARNESS, 9 PIN TO J4 ON DFC
WIR07599	*	1	WIRE; HARNESS, CONTROL BOX, K2B ON DFC TO MS & MOTOR
CPT00449	1	1	CAPACITOR; RUN, 45 MFD, 370V, ROUND, W/O RESISTOR
SHD00386	2	1	SHIELD; MOISTURE, 12.75 X 5.00
CTR01028	4	1	CONTACTOR; 2P, 40A 600V CONTACTS, 24 CV, 60HZ
SHD00387	5	1	SHIELD; MOISTURE, 10.25 X 4.00

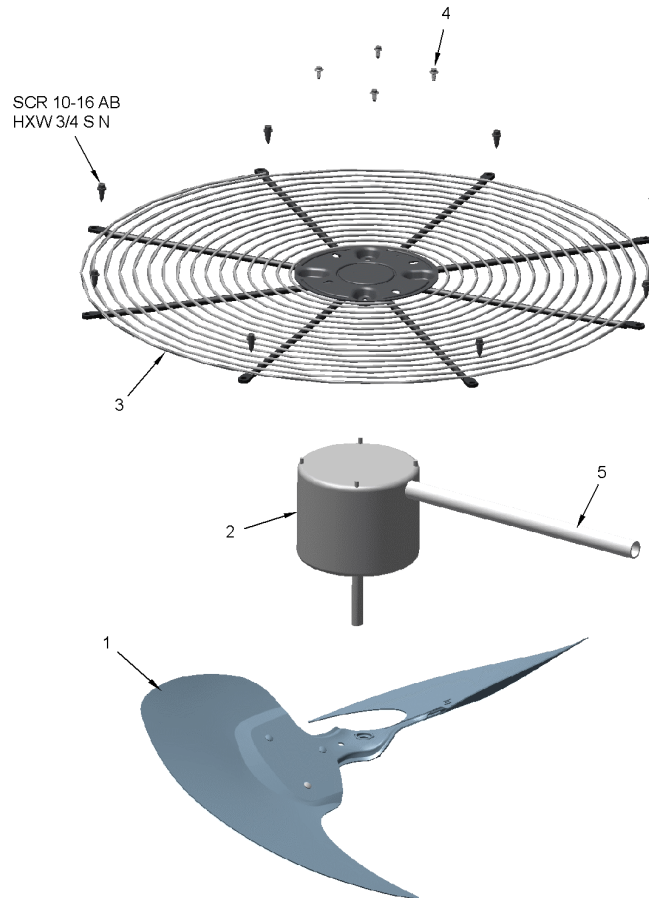
Part No.	Reference No.	Quantity	Description
0000030332~P	*		AIR SYSTEM

FAN

75010673

REV
A

TYPICAL ILLUSTRATION



Part No.	Reference No.	Quantity	Description
FAN04460	1	1	FAN; 2 SWEPT BLADES, 27.5" DIA, 25.2 DEG PITCH, 0.50" BORE, CCW, ALUMINUM, 1 SET SCREW-STEEL, SPIDER 0.075 THK
MOT18698	2	1	MOTOR; OD ECM 1/3HP 230V
SCR02086	4	4	SCREW; 10-32 TR-3 HXW 3/8 S

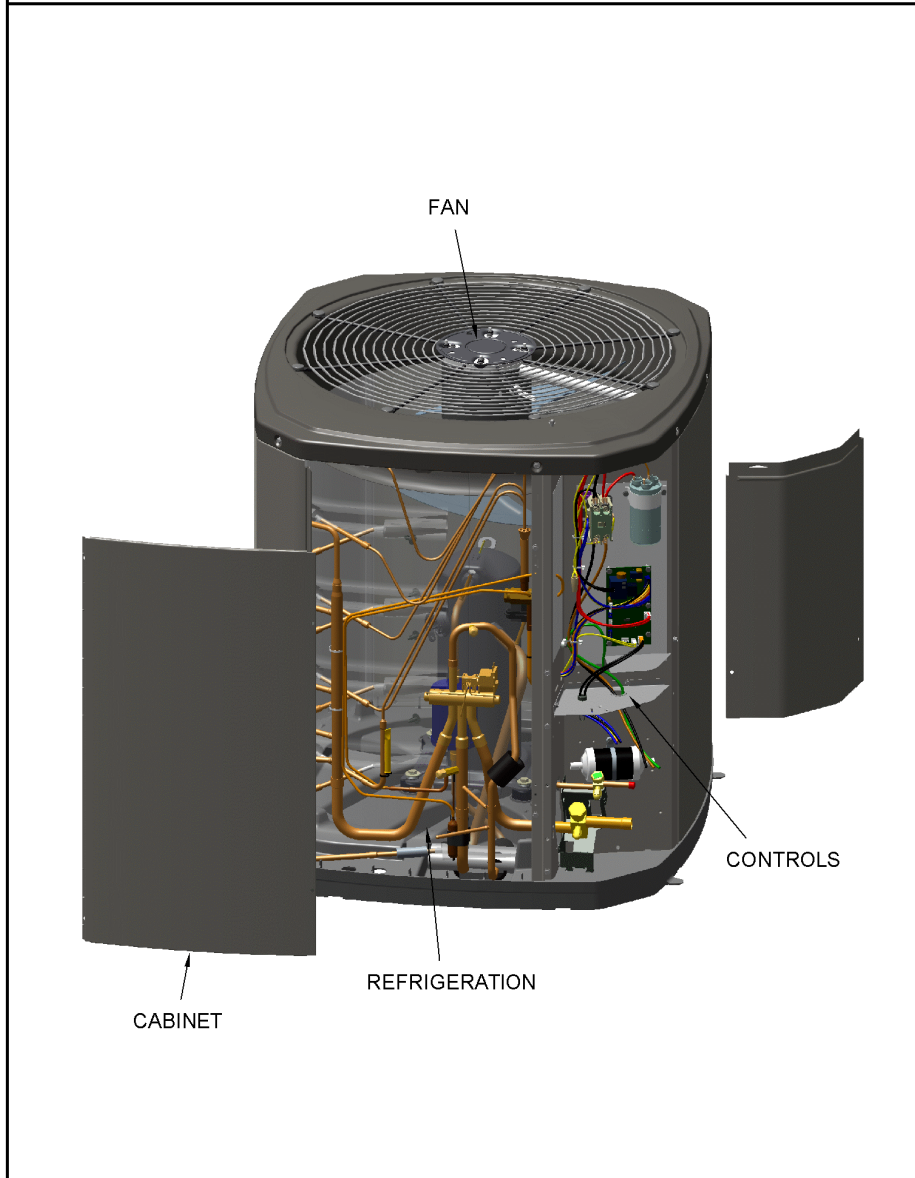
Part No.	Reference No.	Quantity	Description
000006274~P	*		GENERAL ASSEMBLY GRAPHIC

SPLIT SYSTEM HEAT PUMP

75010773

REV.
A

TYPICAL ILLUSTRATION



Part No.	Reference No.	Quantity	Description
0000032898~P	*		REFRIGERATION PARTS LIST

Part No.	Reference No.	Quantity	Description
CAP00455	*	3	CAP; HUB, 7/16-20 STRAIGHT
PAI00246	*	0	PAINT; SPRAY, TARPAULIN GRAY (SHIPPING UOM 12 OZ HAZ)
SCR02010	*	4	SCREW; 12-18 AB HXW 1/2 SN
SCR02054	*	4	SCREW; 12-18 AB HXW 1/2 SN
SLV00082	*	0	SLEEVE;
SLV00083	*	0	SLEEVE;
TER00312	*	0	TERMINAL; 8IN. TIE CABLE
TIE00007	*	0	TIE;CABLE
TIE00023	*	7	TIE;CABLE, 8.00IN.
TUB02810	*	16	TUBE; TRANSITION
TUB11547	*	16	TUBE; TRANSITION ASSEMBLY
TUB15622	*	1	TUBE; TU ASM DISCHARGE BZ
VAL08884	*	1	VALVE; SWITCHOVER, 6 TON, 5/8 IN ODF X 7/8 IDF CONNECTION (INCLUDES SOLENOID COIL)
CLP00181		1	CLIP; BULB
SWT03277	2	1	SWITCH, HIGH PRESSURE, SPST, OPEN AT 650 PSIG, CLOSE AT 500 PSIG, 91 IN. YELLOW AND RED LEAD
VAL19890	3	1	VALVE; SER GAS 0(14-14)
VAL19483	6	1	VALVE; TEV HXCE 2 ZX200
MFL00806	7	1	MUFFLER; 1/2 ODF CONNECTION (DRIER COULD BE PAINTED EITHER SMOKE GRAY OR NAVY BLUE)
CAP01411	9	1	CAP; SERVICE VALVE, BRASS, 1.19 OD X 0.93 ID X 17/16-20UN-2B
CAP01336	10	1	CAP; SERVICE LIQUID VALVE, BRASS, 0.75 OD X 0.57 ID X 11/16-28UN-2B
BRK03020	11	1	BRACKET; VALVE
CAP01431	15	1	CAP; SERVICE VALVE
COR00103	16	1	CORE; VALVE, .79 LENGTH, .206-36 UNS-1 MOD. THD
COL28897	20	0	COIL; SPINE FIN