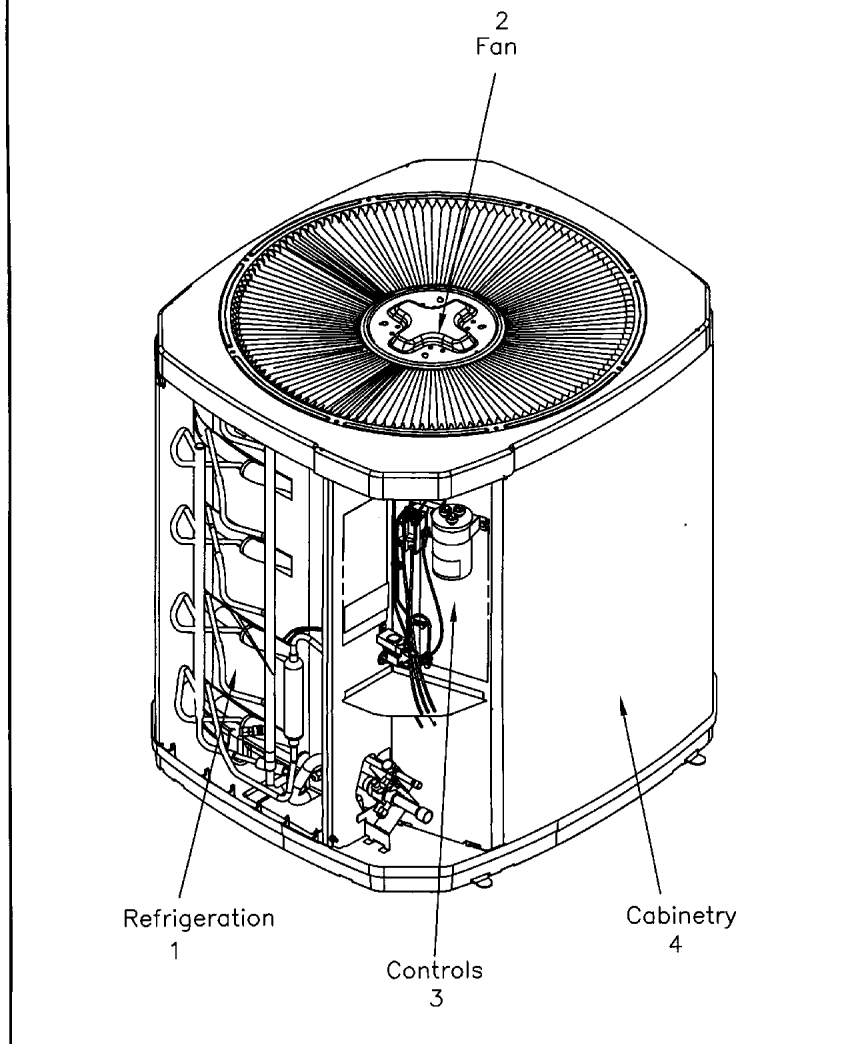


GENERAL ASSEMBLY

75005591

REV
A

Typical Illustration. Unit may not appear exactly as shown.



Part No.	Reference No.	Quantity	Description
75006805#4TWR4UP3~S	*		CABINTRY
75009816#4TWR4UP3~S	*		CONTROLS
75005599#4TWR4UP3~S	*		FAN
75005591_4TWR4UP3_214128~P	*		GENERAL ASSEMBLY PARTS LIST
75005586#4TWR4UP3~S	*		MODEL NUMBER DESCRIPTION
OPTIONSTLR#4TWR4UP3~S	*		OPTIONAL ACCESSORIES
75009818#4TWR4UP3~S	*		REFRIGERATION

GENERAL ASSEMBLY

75005591

REV
A

Typical Illustration. Unit may not appear exactly as shown.

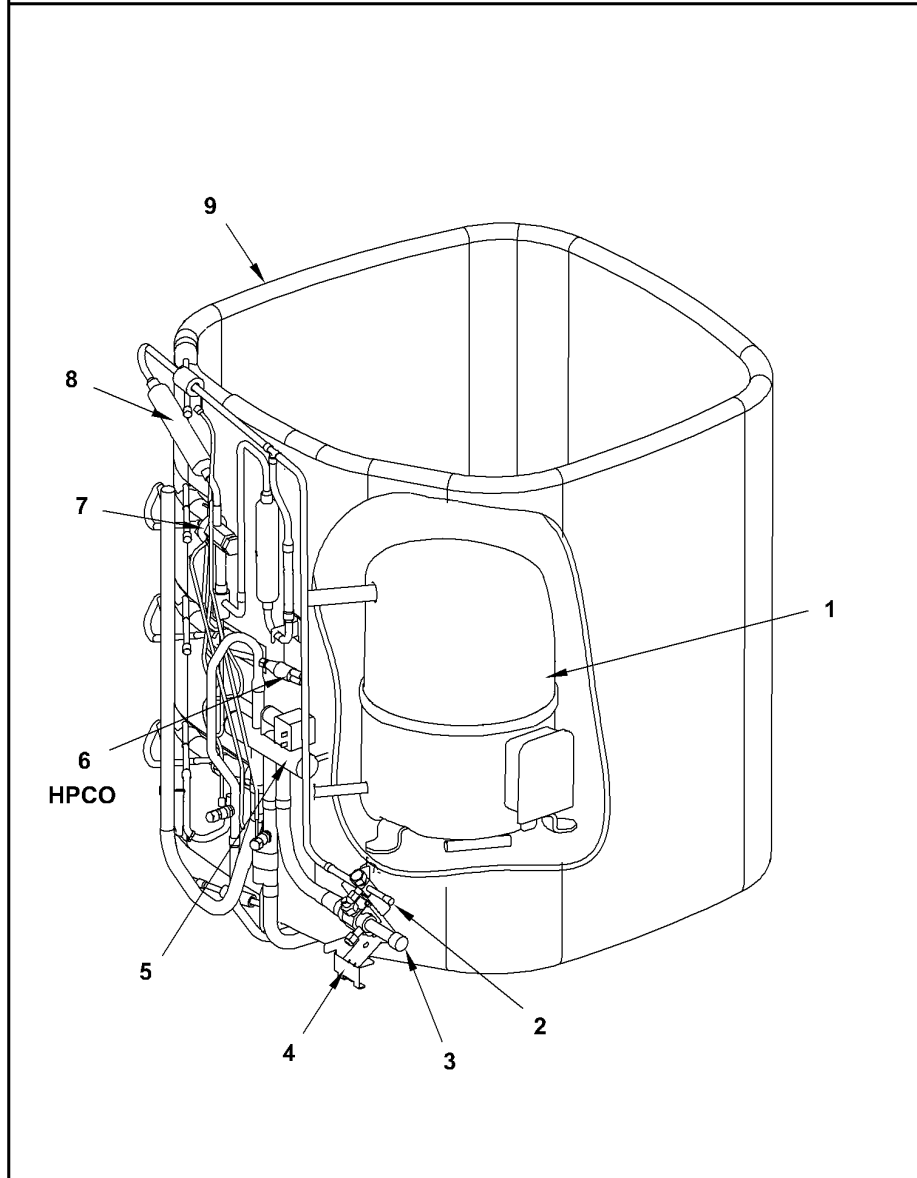


REFRIGERATION

75009818

REV
A

Typical Illustration. Unit may not appear exactly as shown.



Parts List Number :75005591#4TWR4UP3

Model Number :4TWR4018D1000AA

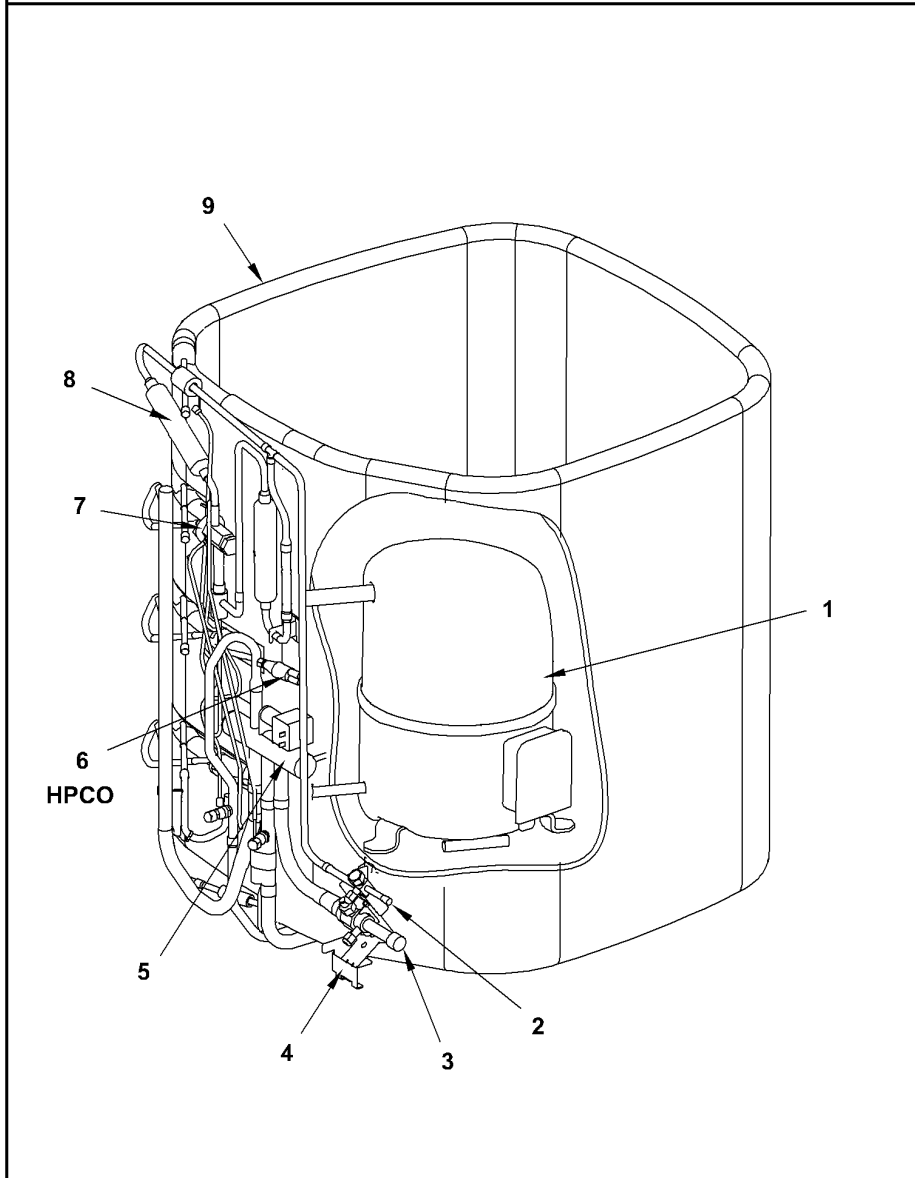
Part No.	Reference No.	Quantity	Description
75009818_4TWR4UP3_235597-P	*		REFRIGERATION PARTS LIST

REFRIGERATION

75009818

REV
A

Typical Illustration. Unit may not appear exactly as shown.



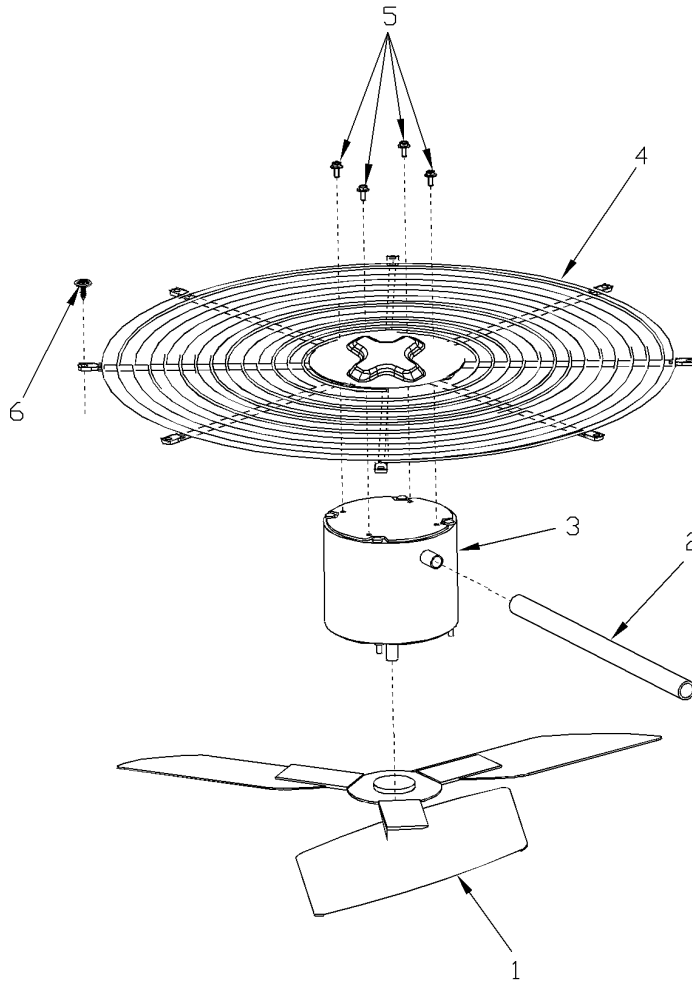
Part No.	Reference No.	Quantity	Description
BOD00114	*	2	BODY; VALVE, BRASS, 7/16 HEX, 7/16 -20 UNF-2A
CLP01072	*	1	CLIP; BULB (BLUE), 3/4 OD TUBE
CLP01101	*	1	CLIP; TUBE, BLACK PLASTIC
COR00103	*	2	CORE; VALVE, .79 LENGTH, .206-36 UNS-1 MOD. THD
MFL00806	*	1	MUFFLER; 1/2 ODF CONNECTION (DRIER COULD BE PAINTED EITHER SMOKE GRAY OR NAVY BLUE)
MNT00479	*	3	MOUNT; VIBRATION ISOLATOR, COMPRESSOR
SCR01914	*	3	SCREW, ASSEMBLY COMPRESSOR, 5/16-12 TYPE B, W/WASHER & SLEEVE
SPC00382	*	3	SPACER; ORIFICE
SPC00386	*	1	SPACER; BASE, 5.50 X 1.00 X 0.50
WIR03380	*	1	WIRE; HARNESS-COMPRESSOR
COM09902	1	1	COMPRESSOR; RECIP, DP14A-WW1-LB, 1.4 TON, 208-230/60/1, R410A, BRAZED-STUB TUBE
VAL09302	2	1	VALVE, SERVICE LIQUID, .31 ODF X .38 ODF
VAL09299	3	1	VALVE; SERVICE GAS, 63 ODS X .63 ODS, WITH .25 SAE SERVICE PORT SERVICE
BRK03696	4	1	BRACKET; VALVE
VAL08991	5	1	VALVE; SWITCHOVER, 3 TON, .50 IDF X .75 OD, W/ 24V SOLENOID COIL
SWT03274	6	1	SWITCH, HIGH PRESSURE, SPST, OPEN @ 650 PSIG, CLOSE @ 500 PSIG, 75" YELLOW LEAD
TUB13644	7	1	TUBE; FLOW CONTROL ASSEMBLY, INCLUDES THE TXV & DRIER
VAL08796	7	1	VALVE; EXPANSION, 0.38 ODS X 0.50 ODS, 3.0 TON-R410A AND POE
DHY01451	8	1	DRIER; BI-FLOW; SERVICE FIRST; 8 CU. IN; DCB083S, 3/8 ODF CONNECTIONS; 2.3 TON CAPACITY; APPROVED FOR MINERAL OIL AND POE OIL REFRIGERANTS; MANUFACTUR
COL16826	9	1	COIL; CONDENSER SPINE-FIN

FAN

75005599

REV
A

Typical Illustration. Unit may not appear exactly as shown.



Parts List Number :75005591#4TWR4UP3

Model Number :4TWR4018D1000AA

Part No.	Reference No.	Quantity	Description
75005599_4TWR4UP3_235594-P	*		FAN PARTS LIST

FAN

75005599

REV
A

Typical Illustration. Unit may not appear exactly as shown.



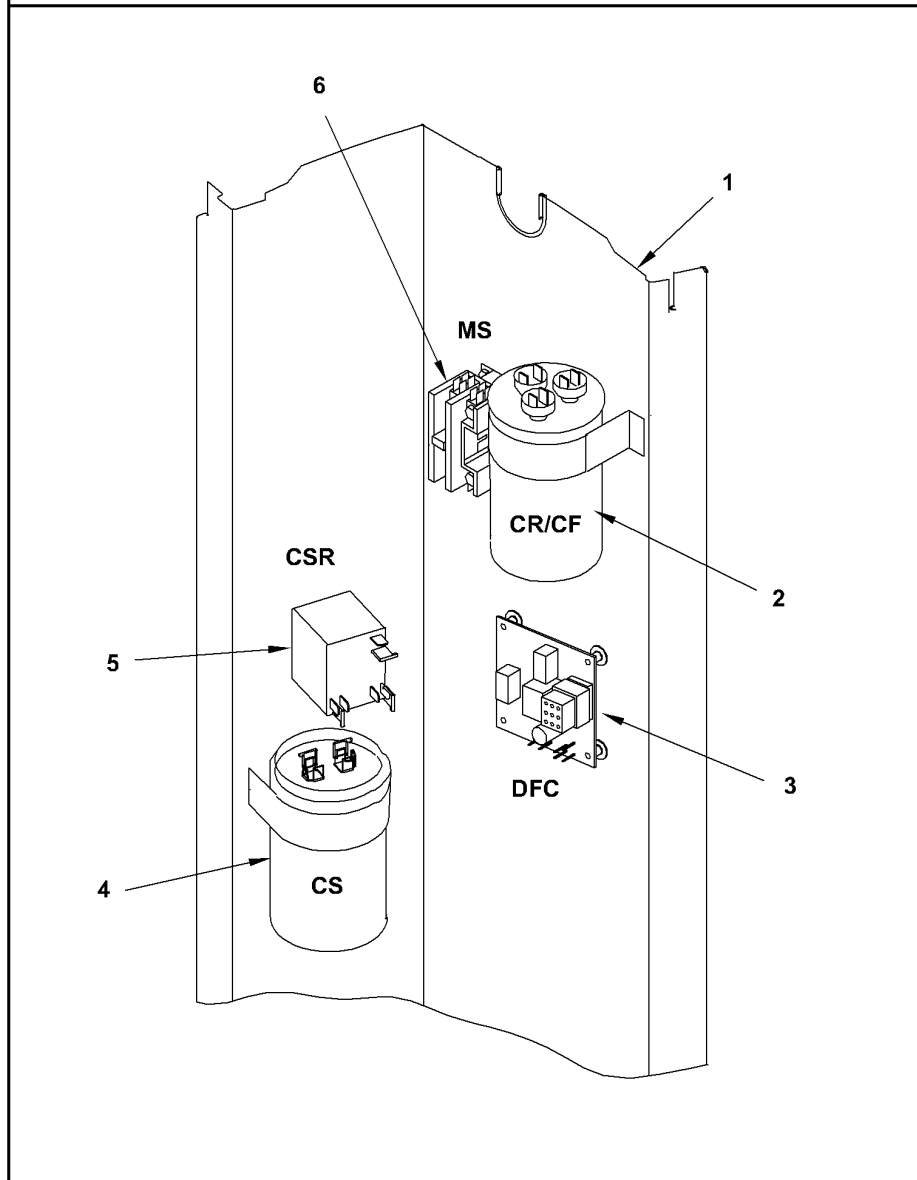
Part No.	Reference No.	Quantity	Description
COV03250	*	1	COVER; MOTOR, 6.86 DIA
FAN03657	1	1	FAN, 2 SWEPT BLADE, 23" DIA, 24.5 DEGREES PITCH, .50" BORE, CCW, ALUMINUM, 1 SET SCREW-STEEL, SPIDER .075 THK, FINISH/PAINT
GRD01415	2	1	GUARD, TROUGH-LEAD
MOT14721	3	1	MOTOR; 48 FRAME PSC 1/8 HP
GRL01347	4	1	GRILLE; FAN, 25.51 MOUNTING DIA
SCR02086	4	4	SCREW; 10-32 TR-3 HXW 3/8 S

CONTROLS

75009816

REV
A

Typical Illustration. Unit may not appear exactly as shown.



CONTROLS

Parts List Number :75005591#4TWR4UP3

Model Number :4TWR4018D1000AA

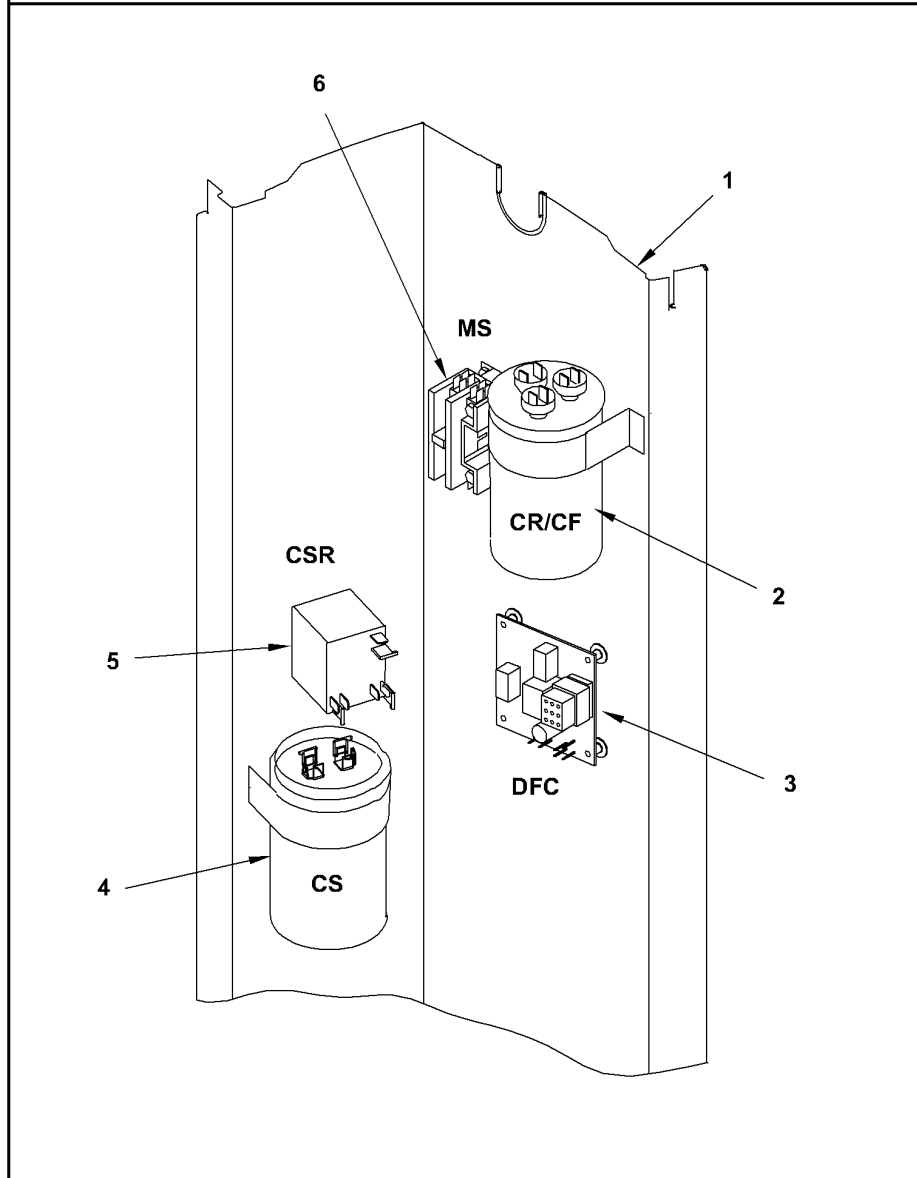
Part No.	Reference No.	Quantity	Description
75009816_4TWR4UP3_235596-P	*		CONTROLS PARTS LIST

CONTROLS

75009816

REV
A

Typical Illustration. Unit may not appear exactly as shown.



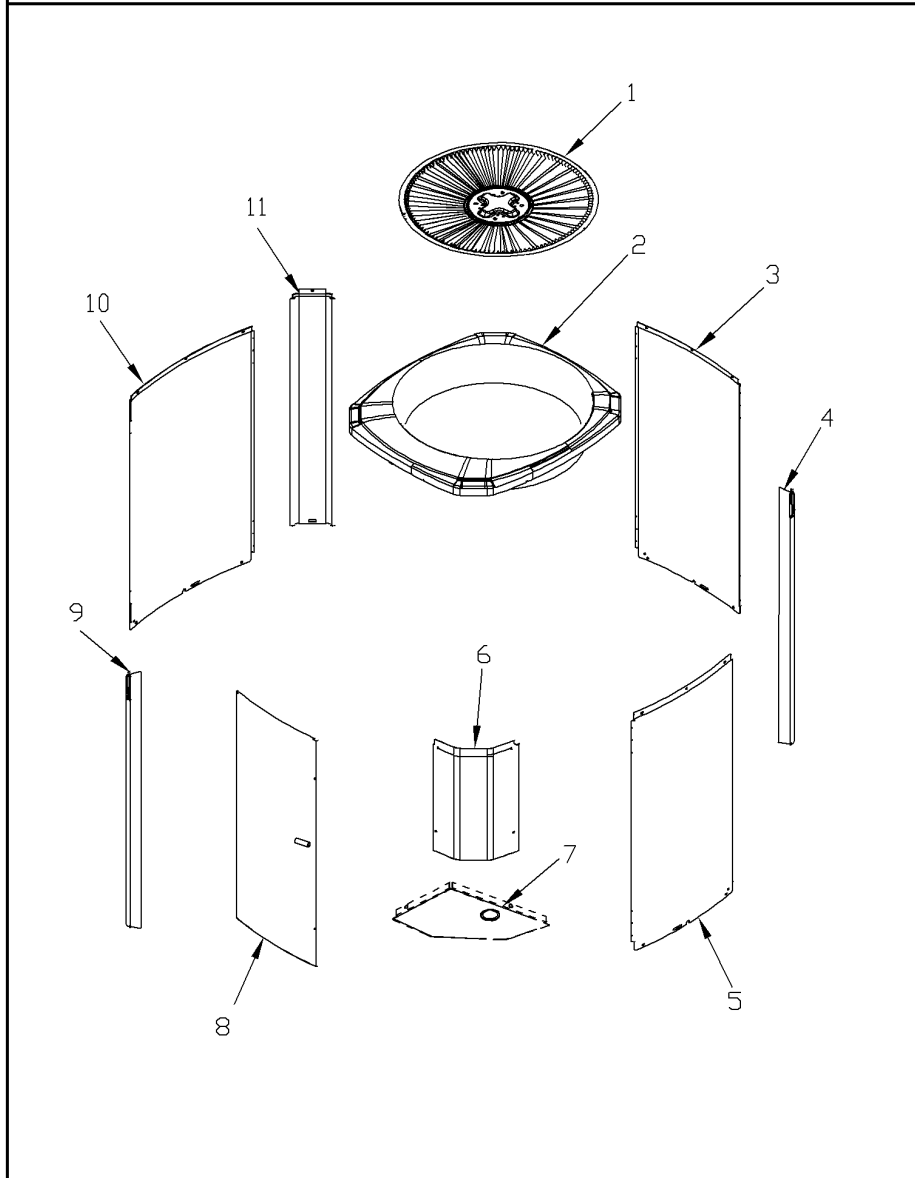
Part No.	Reference No.	Quantity	Description
CLP01039	*	1	CLIP; STRAIN RELIEF
CON00241	*	1	CONNECTOR; WIRE
RES00118	*	2	RESISTOR; THERMISTOR , 260 OHMS AT 75 DEGREE F
SEN01540	*	1	SENSOR; ASSEMBLY-AMBIENT (ODS-B)
SEN01729	*	1	SENSOR; ASSEMBLY, 9.75K OHMS RESISTANCE AT 75 DEG F, YELLOW LEADS
SHD00386	*	1	SHIELD; MOISTURE, 12.75 X 5.00
SHD00387	*	1	SHIELD; MOISTURE, 10.25 X 4.00
WIR06660	*	1	WIRE; HARNESS CONTROL PANEL
PNL21731	1	1	PANEL, CONTROL PANEL, 27.14 HEIGHT
CPT00659	2	1	CAPACITOR; DUAL, 30/5 MFD, 440V, ROUND, W/O RESISTOR
CNT05009	3	1	CONTROL; DEFROST
CPT02328	4	1	CAPACITOR; START, 196 MFD, 330V, ROUND, W/ RESISTOR
RLY03210	5	1	RELAY, START, 50A COIL, 502 CONTINUOUS COIL RATING, 60 HZ, 260-280V HOT PICKUP, 239-268V PICK UP, 60-135V DROP OUT, 13800 COIL RESISTANCE
CTR00845	6	1	CONTACTOR; 30 AMP, 240/480/600V, 24V COIL, 1 POLE

CABINETY

75006805

REV
A

Typical Illustration. Unit may not appear exactly as shown.



Parts List Number :75005591#4TWR4UP3

Model Number :4TWR4018D1000AA

Part No.	Reference No.	Quantity	Description
75006805_4TWR4UP3_235595-P	*		CABINETY PARTS LIST

CABINETY

75006805

REV
A

Typical Illustration. Unit may not appear exactly as shown.



Parts List Number :75005591#4TWR4UP3

Model Number :4TWR4018D1000AA

Part No.	Reference No.	Quantity	Description
BAS01833	*	1	BASE; 36.26 X 36.41 DIAGONALLY
PAI00246	*	1	PAINT; SPRAY, TARPAULIN GRAY (SHIPPING UOM 12 OZ HAZ)
PAI00248	*	1	PAINT; 12 OZ SPRAY, ANTHRACITE GRAY (SHIPPING UOM 12 OZ HAZ)
PLT04086	*	1	PLATE; NAMEPLATE-TRANE LOGO, 9.0 X 1.82. THIS BADGE DOES NOT INCLUDE THE XR1# INSERT. FOR COMPLETE BADGE ORDER PLT03603, PLT04109 OR PLT04079.
SCR02010	*	17	SCREW; 12-18 AB HXW 1/2 SN
GRL01347	1	1	GRILLE; FAN, 25.51 MOUNTING DIA
COV03358	2	1	COVER; TOP, 32.36 X 29.40
PNL14724	3	1	PANEL; WRAPPER, 25.33 X 19.55
PNL14723	4	1	PANEL; CORNER POST, 25.33 X 3.570
PNL14724	5	1	PANEL; WRAPPER, 25.33 X 19.55
COV03224	6	1	COVER, CONTROL, 11.32 X 18.11
COV03228	7	1	COVER, CONTROL BOTTOM
PNL23809	8	1	PANEL; ACCESS, 15.69 X 24.65
PNL14723	9	1	PANEL; CORNER POST, 25.33 X 3.570
PNL23808	10	1	PANEL; WRAPPER, 23.14 X 25.33
PNL14723	11	1	PANEL; CORNER POST, 25.33 X 3.570

MODEL NUMBER DESCRIPTION
OUTDOOR UNITS

75005586

REV
E

Example Model Number:

4 T W V 0 0 3 6 A 1 0 0 0 A A
1 - - - - 5 - - - - 10 - - - - 15

Digit 1 – Refrigerant Type

2 = R-22
4 = R-410A

Digit 2 – Trane

Digit 3 – Product Type

W = Split Heat Pump
T = Split Cooling

Digit 4 – Product Family

V = Variable Speed
Z = Leadership - Two Stage
X = Leadership
R = Replacement/Retail
M or B = Basic
A = Light Commercial
L = Side Discharge
S = Side Discharge 3 Phase

Digit 5 – Family SEER

3 = 13 7 = 17
4 = 14 8 = 18
5 = 15 9 = 19
6 = 16 0 = 20

Digits 6 – Split System Connections 1-6 Tons

0 = Brazed

Digits 7,8 – Nominal Capacity in 000s BTUs

Digit 9 – Major Design Modifications

Digit 10 – Power Supply

1 = 200-230/1/60 or 208-230/1/60
3 = 200-230/3/60
4 = 460/3/60
5 = 400/3/60
A = 220-240/1/50
D = 380-415/3/50

Digit 11,12,13 – Secondary Function

Digit 14 – Minor Design Modifications

Digit 15 – Unit Parts Identifier

Part No.	Reference No.	Quantity	Description
75005586_4TWR4UP3_214130-P	*		MODEL NUMBER DESCRIPTION PARTS LIST

MODEL NUMBER DESCRIPTION

75005586

REV
D

OUTDOOR UNITS

Example Model Number:

4 TWV 00 3 6 A 1 0 0 0 A A
1 - - - 5 - - - 10 - - - 15

Digit 1 – Refrigerant Type

2 = R-22
4 = R-410A

Digit 2 – Trane

Digit 3 – Product Type

W = Split Heat Pump
T = Split Cooling

Digit 4 – Product Family

V = Variable Speed
Z = Leadership - Two Stage
X = Leadership
R = Replacement/Retail
M or B = Basic
A = Light Commercial
L = Side Discharge

Digit 5 – Family SEER

3 = 13 7 = 17
4 = 14 9 = 19
5 = 15 9 = 19
6 = 16 0 = 20

Digits 6 – Split System Connections 1-6 Tons

0 = Brazed

Digits 7,8 – Nominal Capacity in 000s BTUs

Digit 9 – Major Design Modifications

Digit 10 – Power Supply

1 = 200-230/1/60 or 208-230/1/60
3 = 200-230/3/60
4 = 460/3/60

Digit 11,12,13 – Secondary Function

Digit 14 – Minor Design Modifications

Digit 15 – Unit Parts Identifier

OPTIONAL ACCESSORIES

Parts List Number :75005591#4TWR4UP3

Model Number :4TWR4018D1000AA

Part No.	Reference No.	Quantity	Description
OPTIONSTLR_4TWR4UP3_2355 99~P	*		OPTIONAL ACCESSORIES PARTS LIST

NO GRAPHIC AVAILABLE

75013702

REV
A

**NO
GRAPHIC
AVAILABLE**

Part No.	Reference No.	Quantity	Description
KIT02134	*	1	KIT-LOW TEMPERATURE COOLING (AY28X084)
KIT05354	*	1	KIT; TIME DELAY (TAYASCT501A) - 5 MINUTE RELAY ONLY IS RLY01343
KIT07731	*	1	KIT; SNOW LEGS, CONTAINS (4) 6" MOUNTING LEGS (BAYLEGS002)
KIT07732	*	1	KIT; SNOW LEGS, (4" EXTENSION KIT) (BAYLEGS003)
KIT08036	*	1	KIT; SEA COAST (BAYSEAC001)
KIT08087	*	1	KIT; HEAD PRESSURE (BAYLOAM103)
KIT08163	*	1	KIT; SUMP HEATER, 208/230V, CARTRIDGE STYLE FOR RECIPROCATING COMPRESSORS (BAYCCHT300), 74 IN LENGTH
KIT08410	*	1	KIT; SOUND ENCLOSURE, (BAYSDEN001), (RECIP MODELS WITH 1-CYLINDER COMPRESSORS NO LARGER THAN 14" TALL OR 9" IN DIAMETER EXCEPT IN CABINET HEIGHTS 25.0" OR SHORTER)
KIT09425	*	1	KIT; ISOLATOR (BAYISLT101) (CONTAINS A QTY OF 5 ISOLATORS)
KIT15282	*	1	KIT; EXTREME MOUNTING CONDITION (BAYECMT023)
PAI00309	*	1	PAINT; DARK BROWN, 12 OZ SPRAY CAN, HERESITE AIR DRY PHENOLIC COATING, VR-554T
TAYSVPANL0032A	*	1	PANEL; SERVICE VALVE PANEL COVER KIT (TAYSVPANL0032A)