

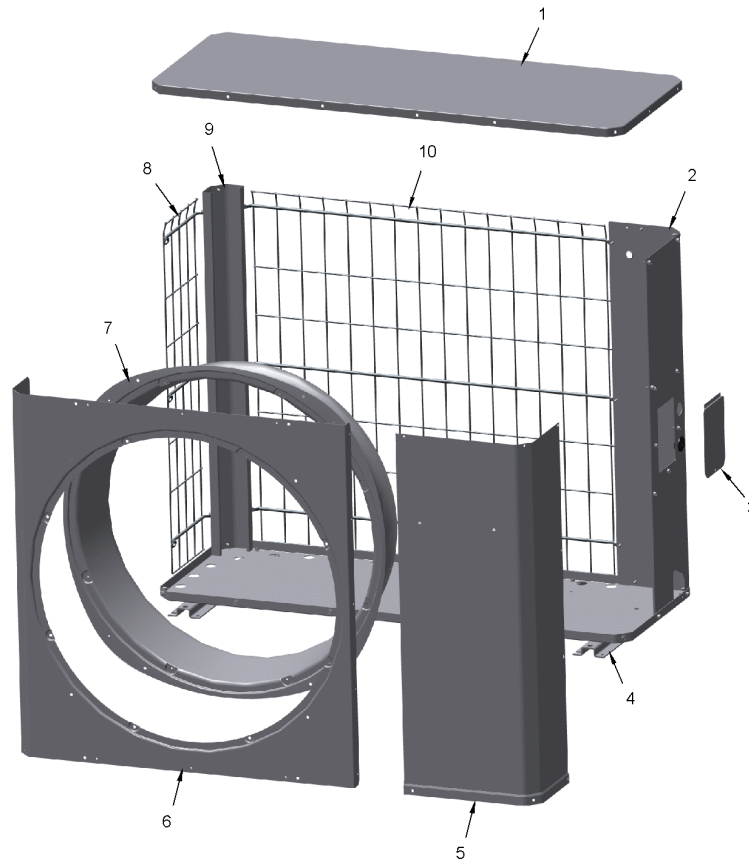
Part No.	Reference No.	Quantity	Description
0000090962~S	*		CABINET
0000090963~S	*		CONTROLS
0000090964~S	*		FAN
0000090961~S	*		GENERAL ASSEMBLY GRAPHIC
0000090971~S	*		MODEL NUMBER DESCRIPTION
0000090968~S	*		REFRIGERATION

Part No.	Reference No.	Quantity	Description
0000041668~P	*		CABINET PARTS LIST

CABINET

75012536

RP
A



This is a typical illustration. The unit in the field may not appear exactly as shown.

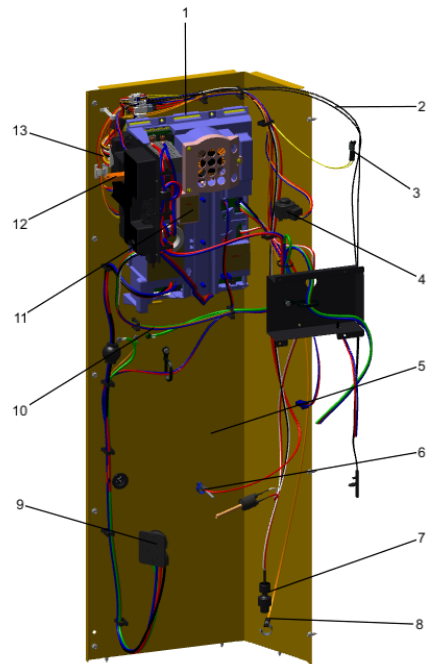
Part No.	Reference No.	Quantity	Description
PAI00246	*	3	PAINT; SPRAY, TARPAULIN GRAY (SHIPPING UOM 12 OZ HAZ)
PAN04334	*	1	PAN; BASE 4 ZLL TR
SCR02010	*	57	SCREW; 12-18 AB HXW 1/2 SN
SCR02054	*	57	SCREW; 12-18 AB HXW 1/2 SN
COV05328	1	1	COVER; TOP, 47.00 X 17.50
PNL35590	2	1	PANEL; SERVICE 4.3 TR
DOR04389	3	1	DOOR; SERVICE PANEL, 5.75 X 4.25
RAL01194	4	3	RAIL; BASE, 20.50 X 2.65 X 0.65
PNL34721	5	1	PANEL; ACCESS, 35.81 H
PNL35668	6	1	PANEL; FRONT, 34.62 X 36.00 X 29.70 DIA OPENING
ORF02011	7	1	ORIFICE; BASE, 39.5 ID DIA
GRL02168	8	1	GRILLE; WIRE ZLL SIDE 4.3
RAL01204	9	1	RAIL; POST-CORNER 3.3/4.3 TR
GRL02164	10	1	GRILLE; WIRE ZLL BACK 4.3

CONTROLS

Parts List Number :0000090803

Model Number :4TWL9024A1000BA

Part No.	Reference No.	Quantity	Description
0000052247~P	*		CONTROLS-HEAT PUMP PARTS LIST



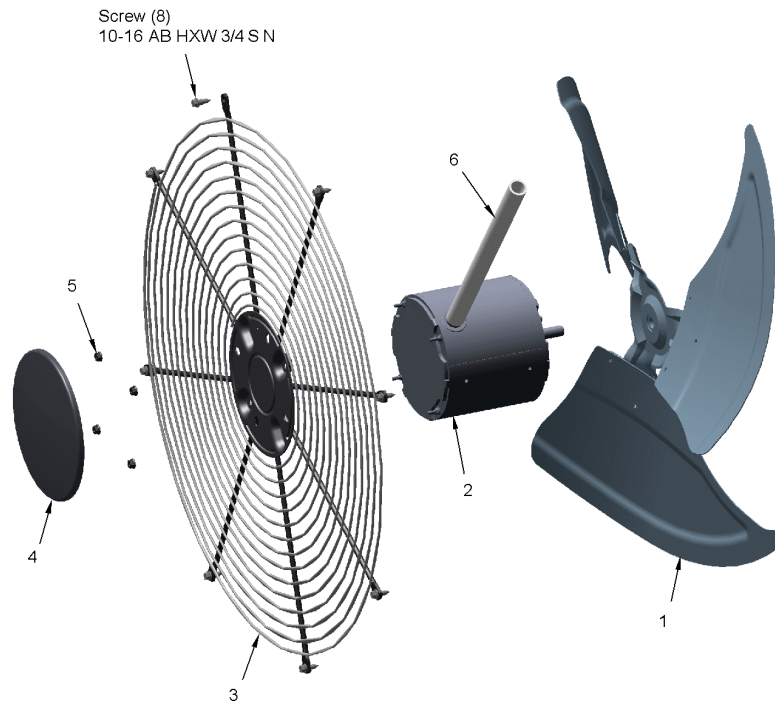
Part No.	Reference No.	Quantity	Description
LUG00012		1	LUG, GROUND
SCR01918		14	SCREW, 10-24 THREAD ROLL, INDENT HEX WASHER HD
SCR02010		12	SCREW; 12-18 AB HXW 1/2 SN
SCR02054		12	SCREW; 12-18 AB HXW 1/2 SN
SPC00512		1	SPACER; TUBING
TIE00026		1	TIE; CABLE, 8-1/2IN.
WIR09252		1	WIRE; HARNESS, CL2-FIELD, BR,RD,BL WIRES, 3 PIN PLUG, 46 IN LENGTH
WIR10523		1	WIRE; HARNESS-LSOV ASM
RAL01209	1	1	RAIL; DRIVE
SEN03020	2	1	SENSOR; AMBIENT
SEN03005	3	1	SENSOR; COIL
COL15628	4	1	COIL; MOTOR ASM-EEV, STATOR (SC)
PNL35702	5	1	PANEL; 4.3 CONTROL PANEL-VS
SEN02713	6	1	SENSOR; DISCHARGE
TDR00732	7	1	TRANSDUCER; PRESSURE, SUCTION, 0.5 VDC AT 14.7 PSIA, 4.5 VDC AT 400 PSIA, 1/4" SAE FEMALE FLARE WITH DEFLATOR, 7/16-20 UNF-2B 5/8 ACROSS FLATS, 48 IN
SEN02919	8	1	SENSOR; SUCTION LINE, 0.750 DIA TUBE CLIP, 2 PIN CONNECTOR, 43 IN ORANGE LEADS
PLU01325	9	1	PLUG; SCROLL COMPRESSOR, 10 AWG, BK,RD,BL WIRES, 50 IN LENGTH
WIR09251	10	1	WIRE; HARNESS, AOC/MOC INTERFACE, 28 IN LENGTH, (2) 6 PIN PLUGS
MOD01574	12	1	MODULE; TO ORDER-SEE EXT NOTE
WIR09253	13	1	WIRE; SENSORS, 12 WIRES, 18 PIN PLUG, 5 IN LENGTH, TO CBS, DTS, ODS, STS, SP-TRD

Part No.	Reference No.	Quantity	Description
000005420~P	*		FAN PARTS LIST
0000043107~P	*		FAN PARTS LIST

FAN

75012081

REV.
A



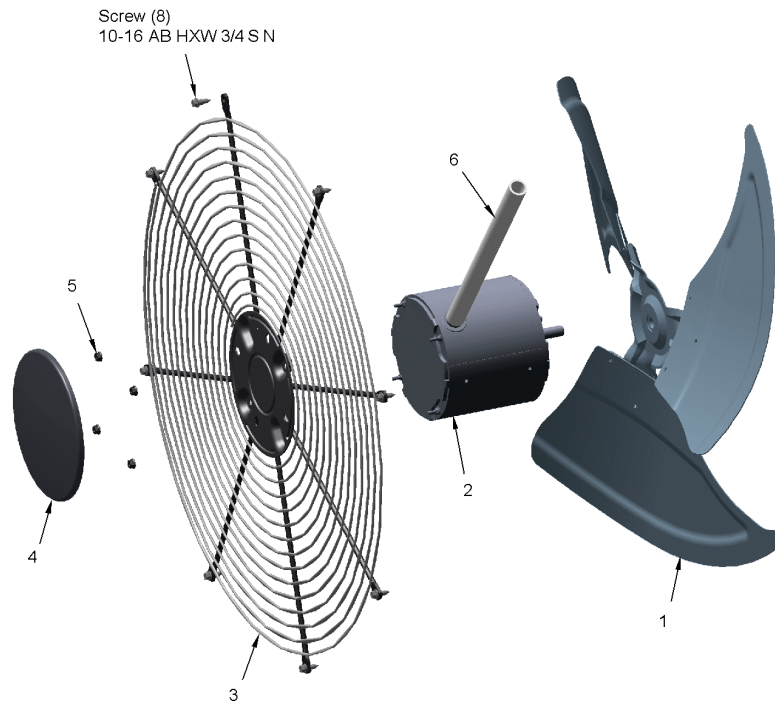
This is a typical illustration. The unit in the field may not appear exactly as shown.

Part No.	Reference No.	Quantity	Description
FAN05903	1	1	FAN; BLADE (22 DEG 3 SWEPT)
MOT18657	2	1	MOTOR; 1/2 HP, 200-1200 RPM, 245-385V, 3 PH, BALL BEARINGS, 48 FRAME, INCLUDES HARNESS
GRL01348	3	1	GRILLE; FAN, 29 IN DIA, SPIRAL WIRE, BASALT GREY
COV03250	4	1	COVER; MOTOR, 6.86 DIA
NUT00845	5	4	NUT; FLANGE NIBBED
GRD01633	6	1	GUARD; TROUGH-LEAD

FAN

75012081

REV.
A



This is a typical illustration. The unit in the field may not appear exactly as shown.

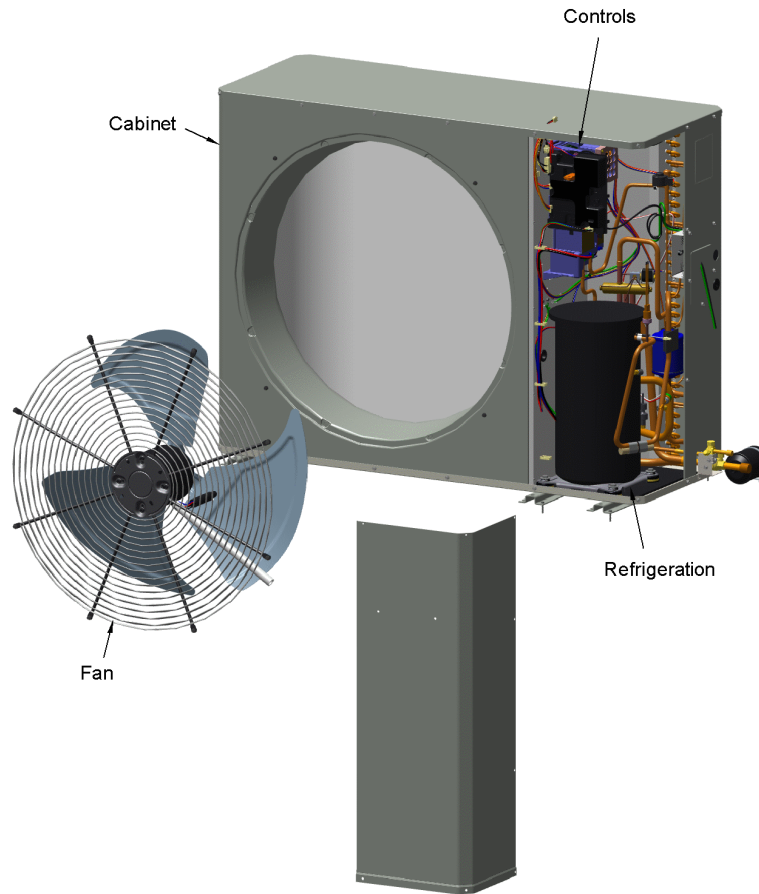
Part No.	Reference No.	Quantity	Description
FAN05903	1	1	FAN; BLADE (22 DEG 3 SWEPT)
GRL01348	3	1	GRILLE; FAN, 29 IN DIA, SPIRAL WIRE, BASALT GREY
MOT18657	4	1	MOTOR; 1/2 HP, 200-1200 RPM, 245-385V, 3 PH, BALL BEARINGS, 48 FRAME, INCLUDES HARNESS
NUT00845	5	4	NUT; FLANGE NIBBED

Part No.	Reference No.	Quantity	Description
000005414~P	*		GENERAL ASSEMBLY GRAPHIC

XV19 TruComfort Low Profile Heat Pump

75012699

RP
A



This is a typical illustration. The unit in the field may not appear exactly as shown.

Part No.	Reference No.	Quantity	Description
000005415~P	*		MODEL NUMBER DESCRIPTION

MODEL NUMBER DESCRIPTION

75005586

REV
D

OUTDOOR UNITS

Example Model Number:

4 TWV 00 3 6 A 1 0 0 0 A A
1 - - - 5 - - - 10 - - - 15

Digit 1 – Refrigerant Type

2 = R-22
4 = R-410A

Digit 2 – Trane

Digit 3 – Product Type

W = Split Heat Pump
T = Split Cooling

Digit 4 – Product Family

V = Variable Speed
Z = Leadership - Two Stage
X = Leadership
R = Replacement/Retail
M or B = Basic
A = Light Commercial
L = Side Discharge

Digit 5 – Family SEER

3 = 13 7 = 17
4 = 14 9 = 19
5 = 15 9 = 19
6 = 16 0 = 20

Digits 6 – Split System Connections 1-6 Tons

0 = Brazed

Digits 7,8 – Nominal Capacity in 000s BTUs

Digit 9 – Major Design Modifications

Digit 10 – Power Supply

1 = 200-230/1/60 or 208-230/1/60
3 = 200-230/3/60
4 = 460/3/60

Digit 11,12,13 – Secondary Function

Digit 14 – Minor Design Modifications

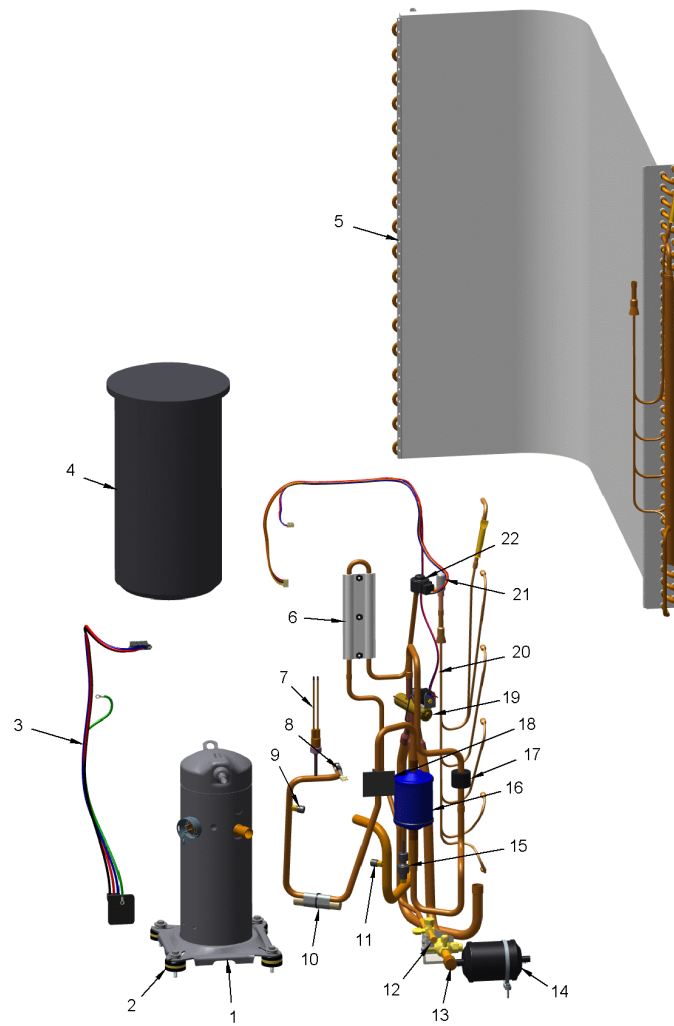
Digit 15 – Unit Parts Identifier

Part No.	Reference No.	Quantity	Description
0000052481~P	*		REFRIGERANT PARTS LIST

REFRIGERATION

75012698

RP
A



This is a typical illustration. The unit in the field may not appear exactly as shown.

Part No.	Reference No.	Quantity	Description
PLU00417		0	PLUG; TUBE
PLU00424		0	PLUG;TUBE
SCR02010		5	SCREW; 12-18 AB HXW 1/2 SN
SCR02054		5	SCREW; 12-18 AB HXW 1/2 SN
TIE00023		3	TIE;CABLE, 8.00IN.
VAL20804		3	VALVE; VALVE BODY
COR00103	1	3	CORE; VALVE, .79 LENGTH, .206-36 UNS-1 MOD. THD
CMP01450	6	2	CLAMP; HOSE, 11/16 - 1-1/4, 1/2 W, 5/16 HEX SCREW, STAINLESS STEEL
SWT04180	7	1	SWITCH; HIGH PRESSURE, BRAZED, SPST, OPEN AT 650 PSIG, CLOSE AT 500 PSIG, 32 IN WHITE YELLOW LEADS
CAP00455	9B	2	CAP; HUB, 7/16-20 STRAIGHT
BAR00178	10A	1	BAR; STEEL, 3.70 X .75 DIA
CAP01336	11B	1	CAP; SERVICE LIQUID VALVE, BRASS, 0.75 OD X 0.57 ID X 11/16-28UN-2B
PAI00246	11C	0	PAINT; SPRAY, TARPAULIN GRAY (SHIPPING UOM 12 OZ HAZ)
VAL20722	13B	1	VALVE-SER LIQ O(06-06), A.8
CAP01337	13C	1	CAP; SERVICE SUCTION VALVE
SPC00388	18	1	SPACER; TUBE
VAL11212	19	1	VALVE; SWITCHOVER, 3 TON, 0.75 IDF X 0.50 OD, W/ 12 DCV SOLENOID COIL
VAL11172	21	1	VALVE; EEV, 1.3 MM, FOR 2 TON
COL28856	22	0	COIL; OUTDOOR, PLATE FIN