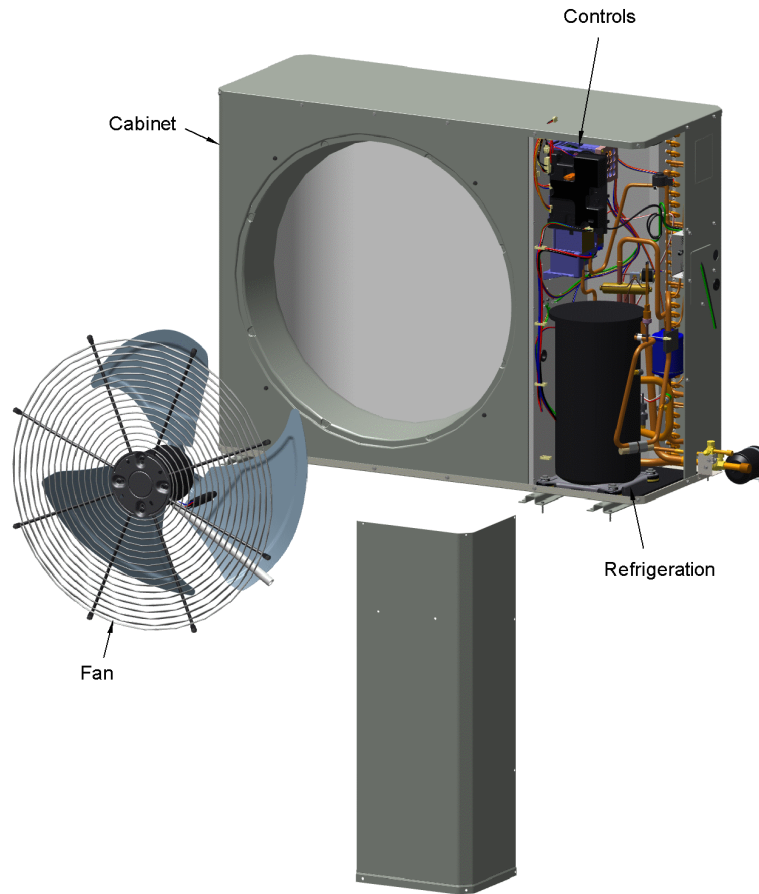


XV19 TruComfort Low Profile Heat Pump

75012699

RP  
A



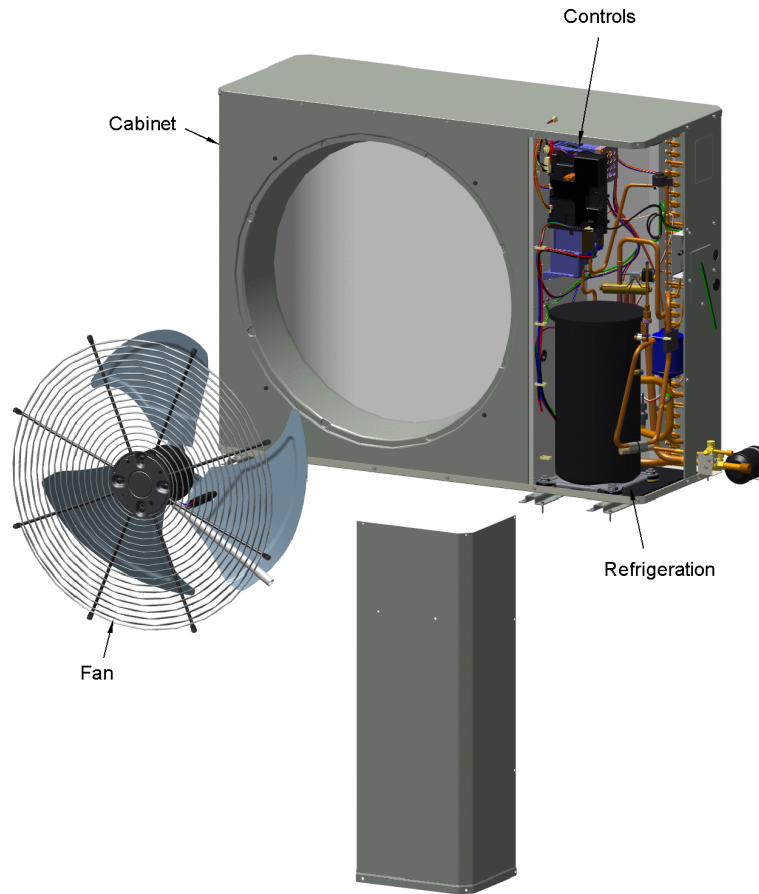
This is a typical illustration. The unit in the field may not appear exactly as shown.

<b>Part No.</b>	<b>Reference No.</b>	<b>Quantity</b>	<b>Description</b>
75012536#4TWL9UP1~S	*		CABINET
75012700#4TWL9UP1~S	*		CONTROL PANEL
75012081#4TWL9UP1~S	*		FAN
75012727#4TWL9UP1~S	*		HARNESS-AOC/MOC INTERFACE
75012728#4TWL9UP1~S	*		HARNESS-CL2 FIELD
75012725#4TWL9UP1~S	*		HARNESS-POWER INPUT
75012726#4TWL9UP1~S	*		HARNESS-SENSORS
75005586#4TWL9UP1~S	*		MODEL NUMBER DESCRIPTION
ZZOPTIONS#4TWL9UP1~S	*		OPTIONAL ACCESSORIES
75012698#4TWL9UP1~S	*		REFRIGERATION
75012699_4TWL9UP1_159526~P	*		XV19 TRU COMFORT LOW PROFILE SIDE DISCHARGE HEAT PUMP PARTS LIST

XV19 TruComfort Low Profile Heat Pump

75012699

RP  
A

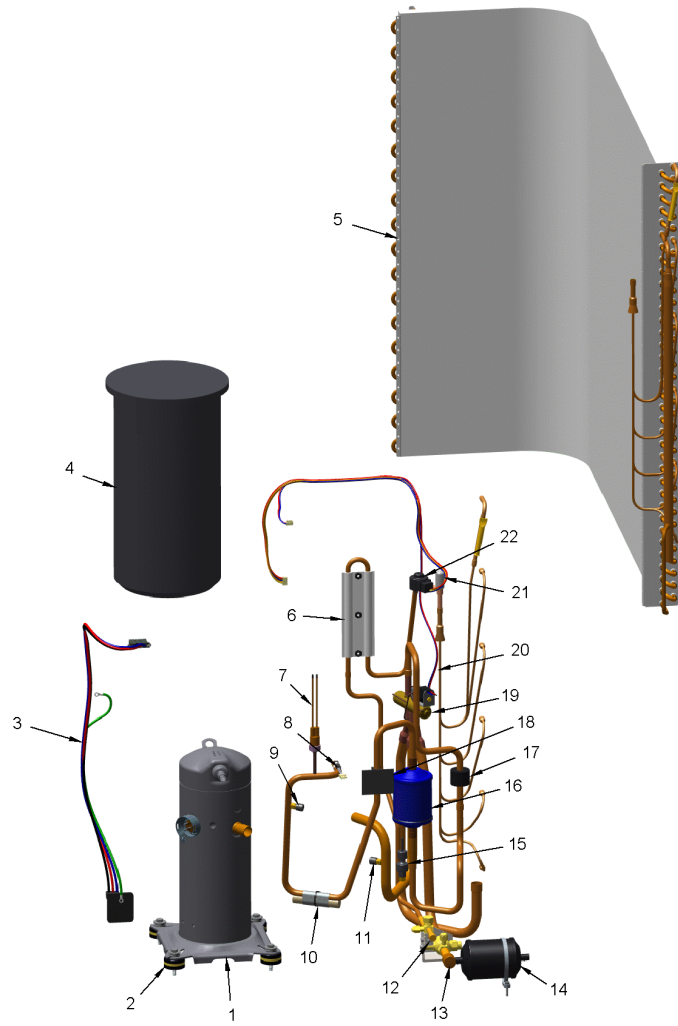


This is a typical illustration. The unit in the field may not appear exactly as shown.

REFRIGERATION

75012698

RP  
A



This is a typical illustration. The unit in the field may not appear exactly as shown.

Parts List Number :75012699#4TWL9UP1

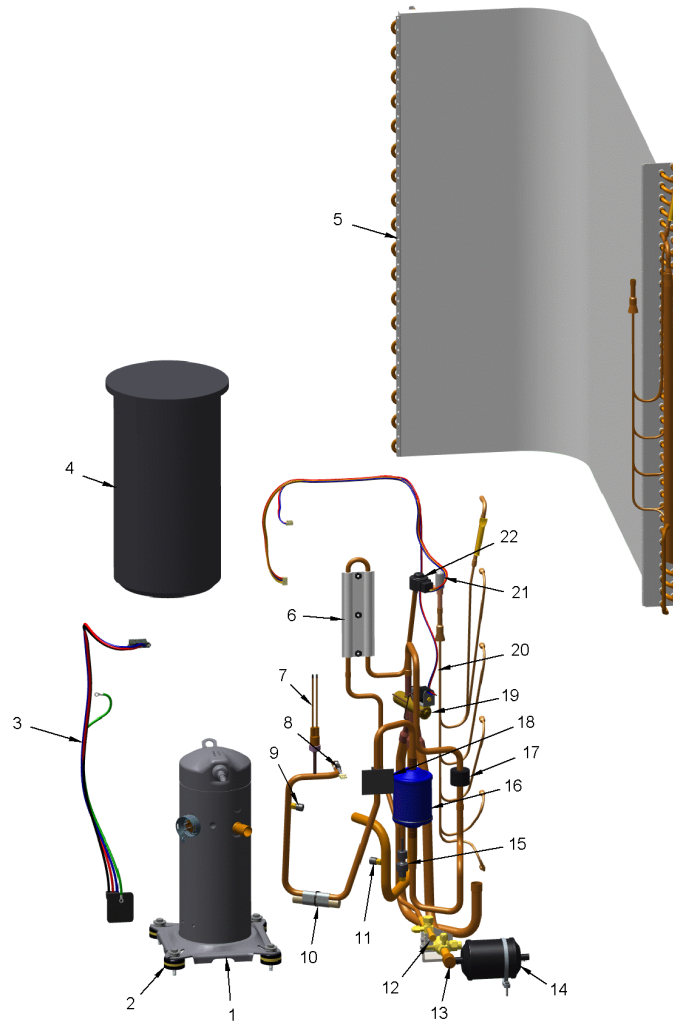
Model Number :4TWL9024A1000AA

Part No.	Reference No.	Quantity	Description
75012698_4TWL9UP1_159530~P	*		REFRIGERATION PARTS LIST

REFRIGERATION

75012698

RP  
A



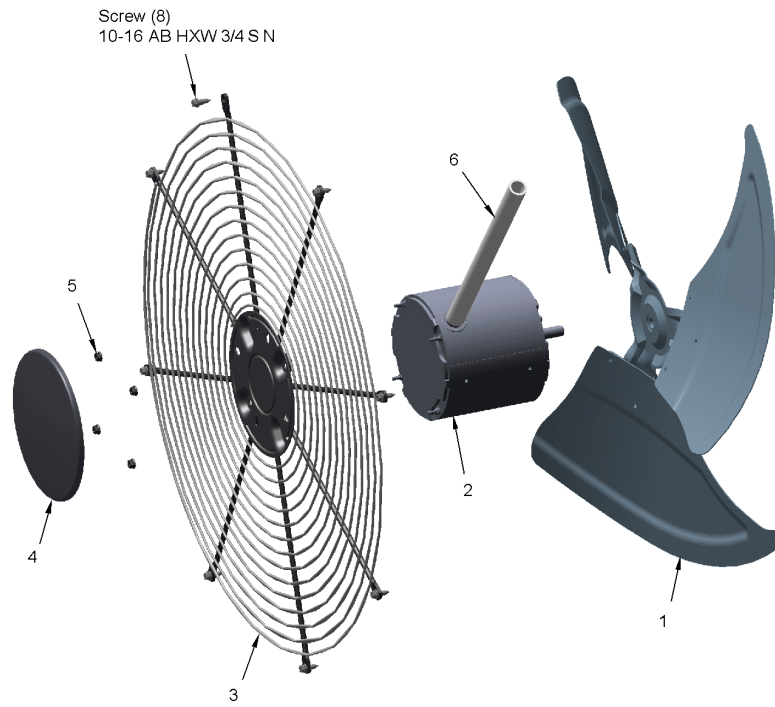
This is a typical illustration. The unit in the field may not appear exactly as shown.

Part No.	Reference No.	Quantity	Description
SEN02204	*	1	SENSOR; ASSEMBLY, COIL BOTTOM, 2 PIN CONNECTOR, 48 IN LENGTH, YELLOW WIRES
SEN02207	*	1	SENSOR; SUCTION LINE, 0.750 DIA TUBE, 2 PIN CONNECTOR, 43 IN ORANGE LEADS
COM11946	1	1	COMPRESSOR; SCROLL: DRIVE CONTROLLED; CAA028C1CPA; 2.5 TON; 208V-60-1; R410-A; SUCTION 3/4; DISCHARGE 1/2
SCR01914	2	4	SCREW, ASSEMBLY COMPRESSOR, 5/16-12 TYPE B, W/WASHER & SLEEVE
PLU01325	3	1	PLUG; SCROLL COMPRESSOR, 10 AWG, BK,RD,BL WIRES, 50 IN LENGTH
ATT00520	4	1	ATTENUATOR; NOISE ENCLOSURE
COL28416	5	1	COIL; OUTDOOR, PLATE FIN
CMP01596	6	1	CLAMP; CLAMPING PLATE
SWT04180	7	1	SWITCH; HIGH PRESSURE, BRAZED, SPST, OPEN AT 650 PSIG, CLOSE AT 500 PSIG, 32 IN WHITE YELLOW LEADS
SEN02713	8	1	SENSOR; DISCHARGE
BOD00114	9a	1	BODY; VALVE, BRASS, 7/16 HEX, 7/16 -20 UNF-2A
CAP00455	9b	1	CAP; HUB, 7/16-20 STRAIGHT
COR00103	9c	1	CORE; VALVE, .79 LENGTH, .206-36 UNS-1 MOD. THD
BAR00178	10a	1	BAR; STEEL, 3.70 X .75 DIA
CLP00200	10b	2	CLIP; BULB
BOD00114	11a	1	BODY; VALVE, BRASS, 7/16 HEX, 7/16 -20 UNF-2A
CAP00455	11b	1	CAP; HUB, 7/16-20 STRAIGHT
COR00103	11c	1	CORE; VALVE, .79 LENGTH, .206-36 UNS-1 MOD. THD
VAL09293	12a	1	VALVE, SERVICE LIQUID, .38 OD X .38 OD, VALVE ASSY
CAP01336	12b	1	CAP; SERVICE LIQUID VALVE, BRASS, 0.75 OD X 0.57 ID X 11/16-28UN-2B
VAL18903	13a	1	VALVE; SER GAS O(12-10-10)
CAP01337	13b	1	CAP; SERVICE SUCTION VALVE
DHY01452	14	1	DRIER; BI-FLOW; SERVICE FIRST; 16 CU. IN; DCB163S, 3/8 ODF CONNECTIONS; 5.7 TON CAPACITY; APPROVED FOR MINERAL OIL AND POE OIL REFRIGERANTS; MANUFACTU
TDR00732	15a	1	TRANSDUCER; PRESSURE, SUCTION, 0.5 VDC AT 14.7 PSIA, 4.5 VDC AT 400 PSIA, 1/4" SAE FEMALE FLARE WITH DEFLATOR, 7/16-20 UNF-2B 5/8 ACROSS FLATS, 48 IN
BOD00114	15b	1	BODY; VALVE, BRASS, 7/16 HEX, 7/16 -20 UNF-2A
MFL00816	16	1	MUFFLER; 1/2 ODF CONNECTION, 6.45 X 4.55, (PAINTED DARK BLUE)
GRM01080	17	1	GROMMET; RUBBER BLOCK
SPC00388	18	1	SPACER; TUBE
VAL11212	19	1	VALVE; SWITCHOVER, 3 TON, 0.75 IDF X 0.50 OD, W/ 12 DCV SOLENOID COIL
WIR07180	20	1	WIRE; HARNESS-SWITCHOVER VALVE SOLENOID, (2) 2-PIN CONNECTORS, RED & BLUE WIRES, 35 INCH LENGTH, TO J17
VAL11172	21	1	VALVE; EEV, 1.3 MM, FOR 2 TON
COL15628	22	1	COIL; MOTOR ASM-EEV, STATOR (SC)

FAN

75012081

REV.  
A



This is a typical illustration. The unit in the field may not appear exactly as shown.

Parts List Number :75012699#4TWL9UP1

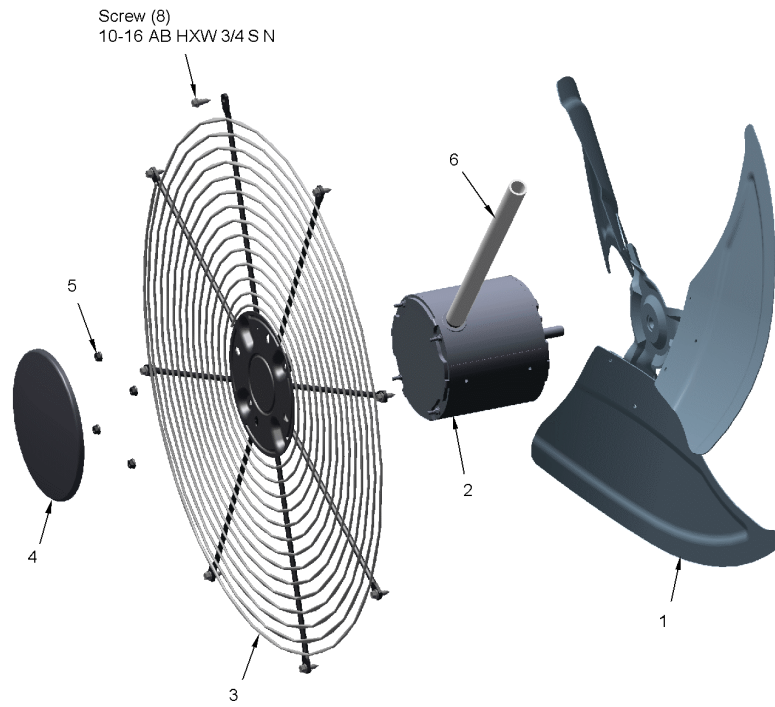
Model Number :4TWL9024A1000AA

Part No.	Reference No.	Quantity	Description
75012081_4TWL9UP1_159528-P	*		FAN PARTS LIST

FAN

75012081

REV.  
A



This is a typical illustration. The unit in the field may not appear exactly as shown.

Parts List Number :75012699#4TWL9UP1

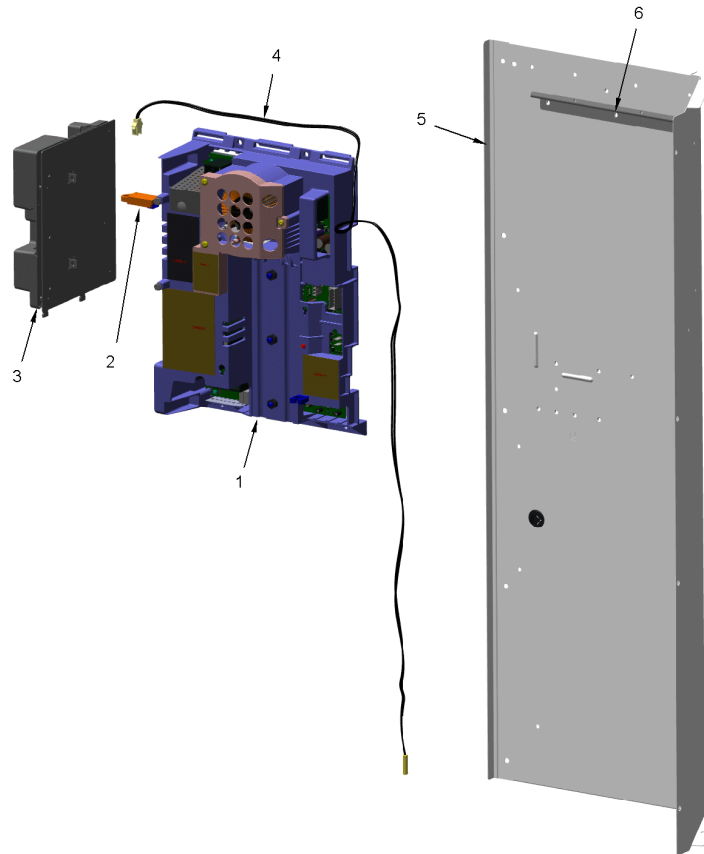
Model Number :4TWL9024A1000AA

<b>Part No.</b>	<b>Reference No.</b>	<b>Quantity</b>	<b>Description</b>
FAN05903	1	1	FAN; BLADE (22 DEG 3 SWEPT)
MOT18657	2	1	MOTOR; 1/2 HP, 200-1200 RPM, 245-385V, 3 PH, BALL BEARINGS, 48 FRAME, INCLUDES HARNESS
GRL01348	3	1	GRILLE; FAN, 29 IN DIA, SPIRAL WIRE, BASALT GREY
COV03250	4	1	COVER; MOTOR, 6.86 DIA
NUT00845	5	4	NUT; FLANGE NIBBED
GRD01633	6	1	GUARD; TROUGH-LEAD

CONTROL PANEL

75012700

RP  
A



This is a typical illustration. The unit in the field may not appear exactly as shown.

Parts List Number :75012699#4TWL9UP1

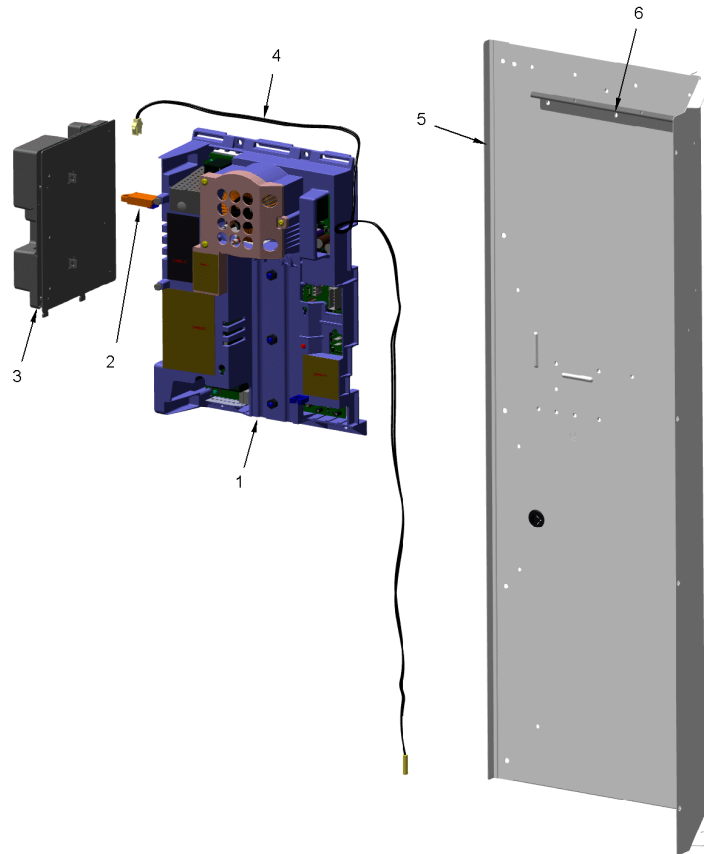
Model Number :4TWL9024A1000AA

Part No.	Reference No.	Quantity	Description
75012700_4TWL9UP1_159531~P	*		CONTROL PANEL PARTS LIST

CONTROL PANEL

75012700

RP  
A



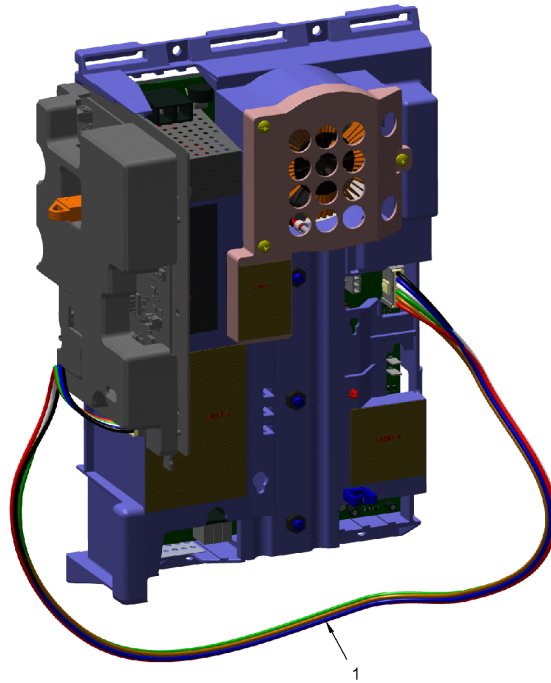
This is a typical illustration. The unit in the field may not appear exactly as shown.

Part No.	Reference No.	Quantity	Description
SCR01918	*	14	SCREW, 10-24 THREAD ROLL, INDENT HEX WASHER HD
DRV03234	1	1	DRIVE; KIT, 6.3KW, 5T, INCLUDES THERMAL GREASE, INSTALLERS GUIDE & (3) NUTS 1/4-20
MOD01574	2	1	MODULE; TO ORDER-SEE EXT NOTE
CNT07567	3	1	CONTROL; VSPD AOC
SEN02714	4	1	SENSOR; AMBIENT, (2) BLACK WIRES, 24AWG, 105C, 50 IN LENGTH
PNL35702	5	1	PANEL; 4.3 CONTROL PANEL-VS
RAL01209	6	1	RAIL; DRIVE

HARNESS - AOC/MOC INTERFACE

75012727

RP  
A



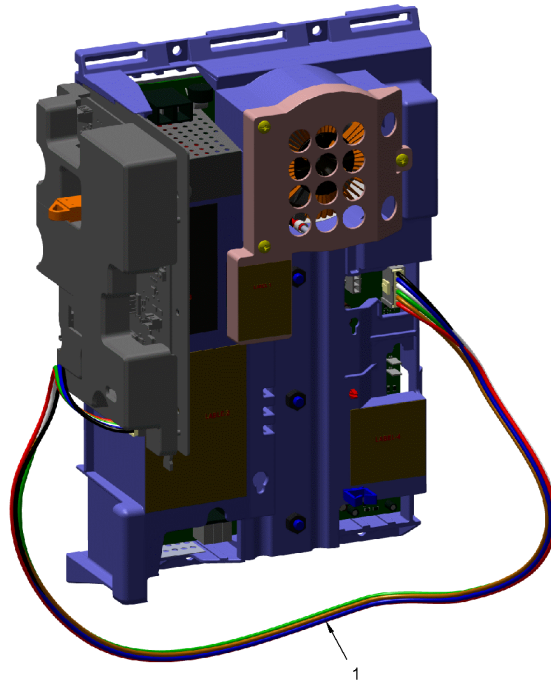
This is a typical illustration. The unit in the field may not appear exactly as shown.

Part No.	Reference No.	Quantity	Description
75012727_4TWL9UP1_159536~P	*		HARNESS-AOC/MOC INTERFACE PARTS LIST

HARNESS - AOC/MOC INTERFACE

75012727

RP  
A



This is a typical illustration. The unit in the field may not appear exactly as shown.

Parts List Number :75012699#4TWL9UP1

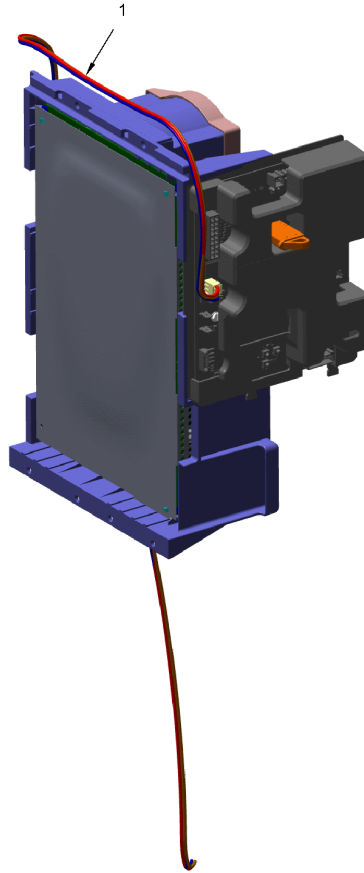
Model Number :4TWL9024A1000AA

Part No.	Reference No.	Quantity	Description
WIR09251	1	1	WIRE; HARNESS, AOC/MOC INTERFACE, 28 IN LENGTH, (2) 6 PIN PLUGS

HARNESS - CL2 FIELD

75012728

RP  
A



This is a typical illustration. The unit in the field may not appear exactly as shown.

Parts List Number :75012699#4TWL9UP1

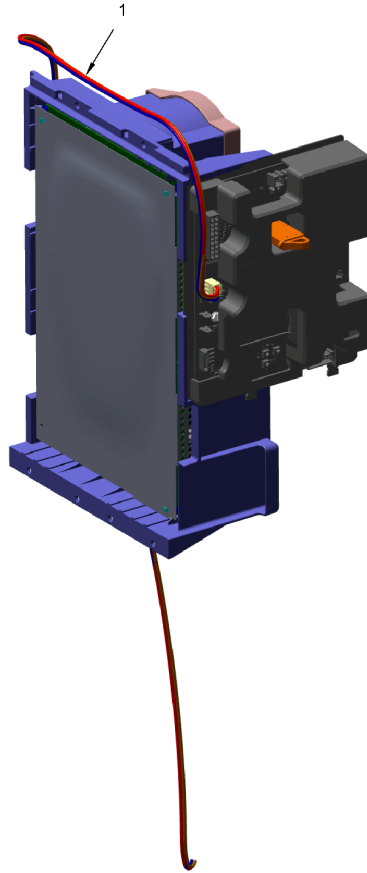
Model Number :4TWL9024A1000AA

Part No.	Reference No.	Quantity	Description
75012728_4TWL9UP1_159537~P	*		HARNESS-CL2 FIELD PARTS LIST

HARNESS - CL2 FIELD

75012728

RP  
A



This is a typical illustration. The unit in the field may not appear exactly as shown.

Parts List Number :75012699#4TWL9UP1

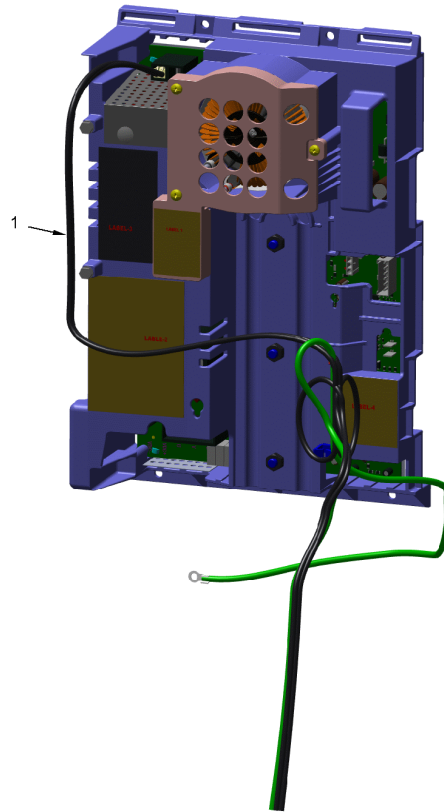
Model Number :4TWL9024A1000AA

Part No.	Reference No.	Quantity	Description
WIR09252	1	1	WIRE; HARNESS, CL2-FIELD, BR,RD,BL WIRES, 3 PIN PLUG, 46 IN LENGTH

HARNESS - POWER INPUT

75012725

RP  
A



To Power Supply

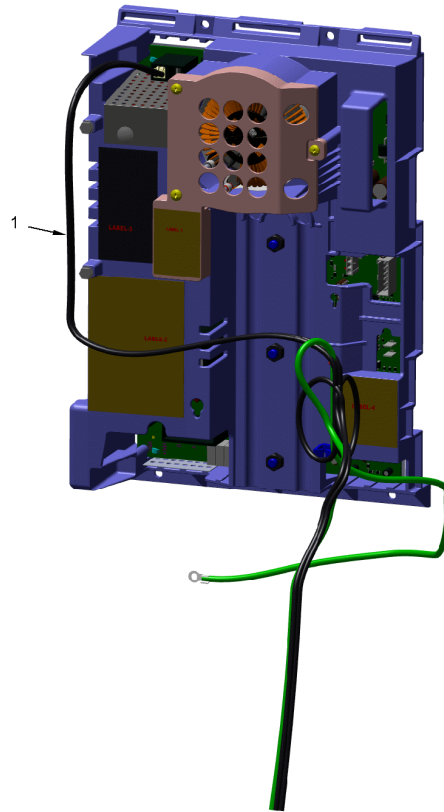
This is a typical illustration. The unit in the field may not appear exactly as shown.

Part No.	Reference No.	Quantity	Description
75012725_4TWL9UP1_159534-P	*		HARNESS-POWER INPUT PARTS LIST

HARNESS - POWER INPUT

75012725

RP  
A



To Power Supply

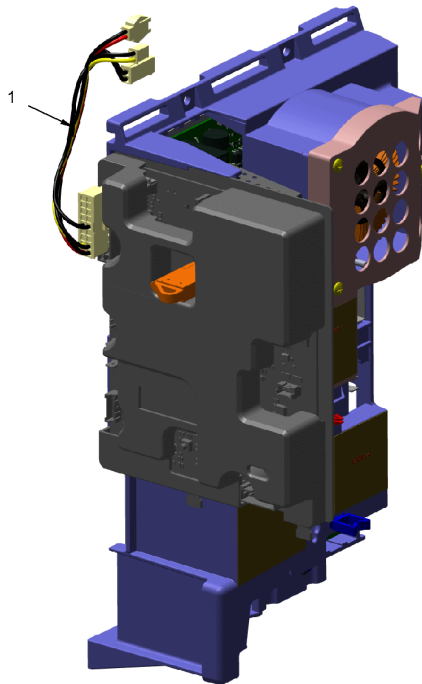
This is a typical illustration. The unit in the field may not appear exactly as shown.

Part No.	Reference No.	Quantity	Description
WIR09254	1	1	WIRE; POWER - HV, MOLEX PLUG, 2 WIRES: BL/BK & BRN/RD, 30 IN LENGTH

HARNESS - SENSORS

75012726

RP  
A



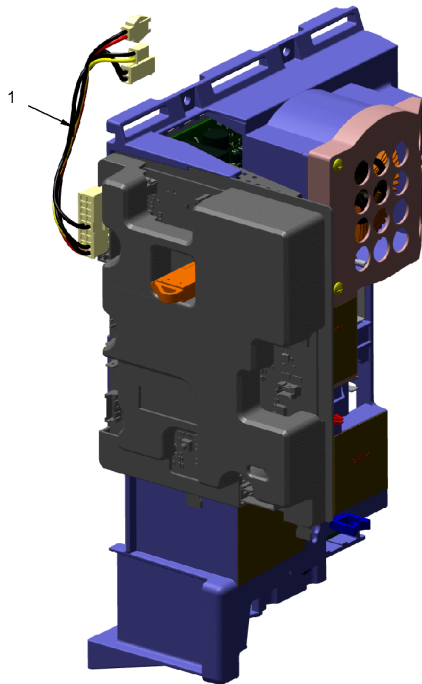
This is a typical illustration. The unit in the field may not appear exactly as shown.

Part No.	Reference No.	Quantity	Description
75012726_4TWL9UP1_159535-P	*		HARNESS-SENSORS PARTS LIST

HARNESS - SENSORS

75012726

RP  
A



This is a typical illustration. The unit in the field may not appear exactly as shown.

Parts List Number :75012699#4TWL9UP1

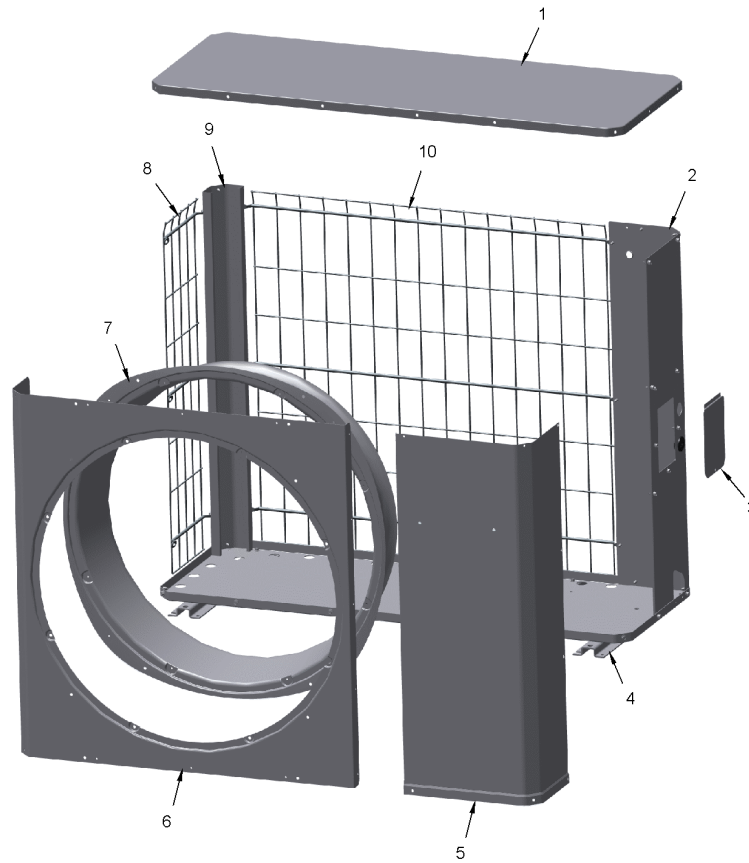
Model Number :4TWL9024A1000AA

<b>Part No.</b>	<b>Reference No.</b>	<b>Quantity</b>	<b>Description</b>
WIR09253	1	1	WIRE; SENSORS, 12 WIRES, 18 PIN PLUG, 5 IN LENGTH, TO CBS, DTS, ODS, STS, SP-TRD

CABINET

75012536

RP  
A



This is a typical illustration. The unit in the field may not appear exactly as shown.

Parts List Number :75012699#4TWL9UP1

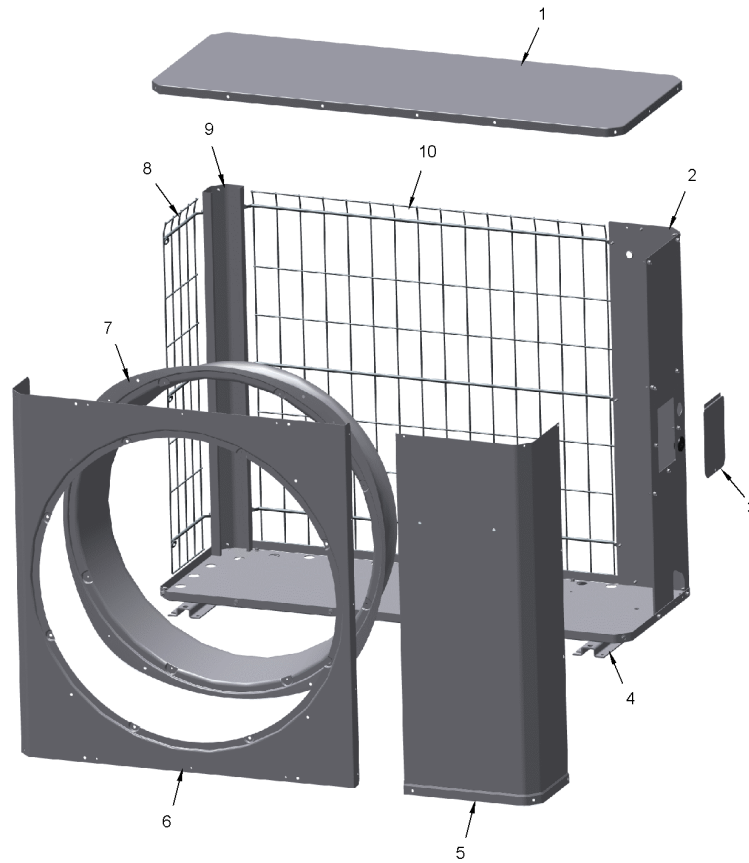
Model Number :4TWL9024A1000AA

Part No.	Reference No.	Quantity	Description
75012536_4TWL9UP1_159529~P	*		CABINET PARTS LIST

CABINET

75012536

RP  
A



This is a typical illustration. The unit in the field may not appear exactly as shown.

Parts List Number :75012699#4TWL9UP1

Model Number :4TWL9024A1000AA

Part No.	Reference No.	Quantity	Description
PAI00246	*	1	PAINT; SPRAY, TARPAULIN GRAY (SHIPPING UOM 12 OZ HAZ)
COV05328	1	1	COVER; TOP, 47.00 X 17.50
PNL35590	2	1	PANEL; SERVICE 4.3 TR
DOR04389	3	1	DOOR; SERVICE PANEL, 5.75 X 4.25
RAL01194	4	3	RAIL; BASE, 20.50 X 2.65 X 0.65
PNL34721	5	1	PANEL; ACCESS, 35.81 H
PNL35668	6	1	PANEL; FRONT, 34.62 X 36.00 X 29.70 DIA OPENING
ORF02011	7	1	ORIFICE; BASE, 39.5 ID DIA
GRL02168	8	1	GRILLE; WIRE ZLL SIDE 4.3
RAL01204	9	1	RAIL; POST-CORNER 3.3/4.3 TR
GRL02164	10	1	GRILLE; WIRE ZLL BACK 4.3

**MODEL NUMBER DESCRIPTION**  
**OUTDOOR UNITS**

75005586

REV  
E

*Example Model Number:*

**4 TWV 0 0 3 6 A 1 0 0 0 AA**  
1 - - - - 5 - - - - 10 - - - - 15

**Digit 1 – Refrigerant Type**

2 = R-22  
4 = R-410A

**Digit 2 – Trane**

**Digit 3 – Product Type**

W = Split Heat Pump  
T = Split Cooling

**Digit 4 – Product Family**

V = Variable Speed  
Z = Leadership - Two Stage  
X = Leadership  
R = Replacement/Retail  
M or B = Basic  
A = Light Commercial  
L = Side Discharge  
S = Side Discharge 3 Phase

**Digit 5 – Family SEER**

3 = 13    7 = 17  
4 = 14    8 = 18  
5 = 15    9 = 19  
6 = 16    0 = 20

**Digits 6 – Split System Connections 1-6 Tons**

0 = Brazed

**Digits 7,8 – Nominal Capacity in 000s BTUs**

**Digit 9 – Major Design Modifications**

**Digit 10 – Power Supply**

1 = 200-230/1/60 or 208-230/1/60  
3 = 200-230/3/60  
4 = 460/3/60  
5 = 400/3/60  
A = 220-240/1/50  
D = 380-415/3/50

**Digit 11,12,13 – Secondary Function**

**Digit 14 – Minor Design Modifications**

**Digit 15 – Unit Parts Identifier**

Part No.	Reference No.	Quantity	Description
75005586_4TWL9UP1_159527~P	*		MODEL NUMBER DESCRIPTION PARTS LIST

MODEL NUMBER DESCRIPTION

75005586

REV  
D

OUTDOOR UNITS

*Example Model Number:*

**4 TWV 00 3 6 A 1 0 0 0 A A**  
1 - - - 5 - - - 10 - - - 15

**Digit 1 – Refrigerant Type**

2 = R-22  
4 = R-410A

**Digit 2 – Trane**

**Digit 3 – Product Type**

W = Split Heat Pump  
T = Split Cooling

**Digit 4 – Product Family**

V = Variable Speed  
Z = Leadership - Two Stage  
X = Leadership  
R = Replacement/Retail  
M or B = Basic  
A = Light Commercial  
L = Side Discharge

**Digit 5 – Family SEER**

3 = 13      7 = 17  
4 = 14      9 = 19  
5 = 15      9 = 19  
6 = 16      0 = 20

**Digits 6 – Split System Connections 1-6 Tons**

0 = Brazed

**Digits 7,8 – Nominal Capacity in 000s BTUs**

**Digit 9 – Major Design Modifications**

**Digit 10 – Power Supply**

1 = 200-230/1/60 or 208-230/1/60  
3 = 200-230/3/60  
4 = 460/3/60

**Digit 11,12,13 – Secondary Function**

**Digit 14 – Minor Design Modifications**

**Digit 15 – Unit Parts Identifier**

OPTIONAL ACCESSORIES

Parts List Number :75012699#4TWL9UP1

Model Number :4TWL9024A1000AA

Part No.	Reference No.	Quantity	Description
ZZOPTIONS_4TWL9UP1_15953 8-P	*		OPTIONAL ACCESSORIES PARTS LIST

<b>Part No.</b>	<b>Reference No.</b>	<b>Quantity</b>	<b>Description</b>
BAYISLT101	*	1	KIT; ISOLATOR (BAYISLT101) (CONTAINS A QTY OF 5 ISOLATORS)
BAYLEGS004	*	1	KIT; SNOW LEGS, CONTAINS (4) 4" MOUNTING LEGS
BAYLEGS007	*	1	KIT; SNOW LEGS, CONTAINS (4) 7" MOUNTING LEGS
BAYWIND101	*	1	WIND BAFFLE ASM
BRK05033	*	1	BRACKET; LARGE WALL BRACKET WITH RAIL AND 3 ARMS UP TO 350 LBS
PAI00309	*	1	PAINT; DARK BROWN, 12 OZ SPRAY CAN, HERESITE AIR DRY PHENOLIC COATING, VR-554T