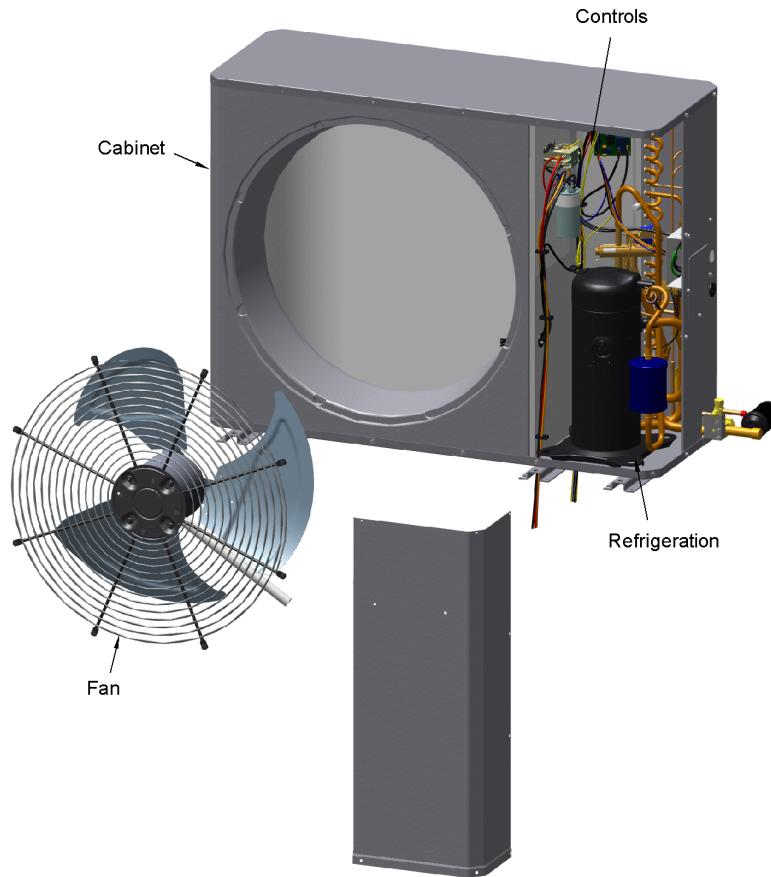


XR16 LOW PROFILE HEAT PUMP

75012531

RP
A



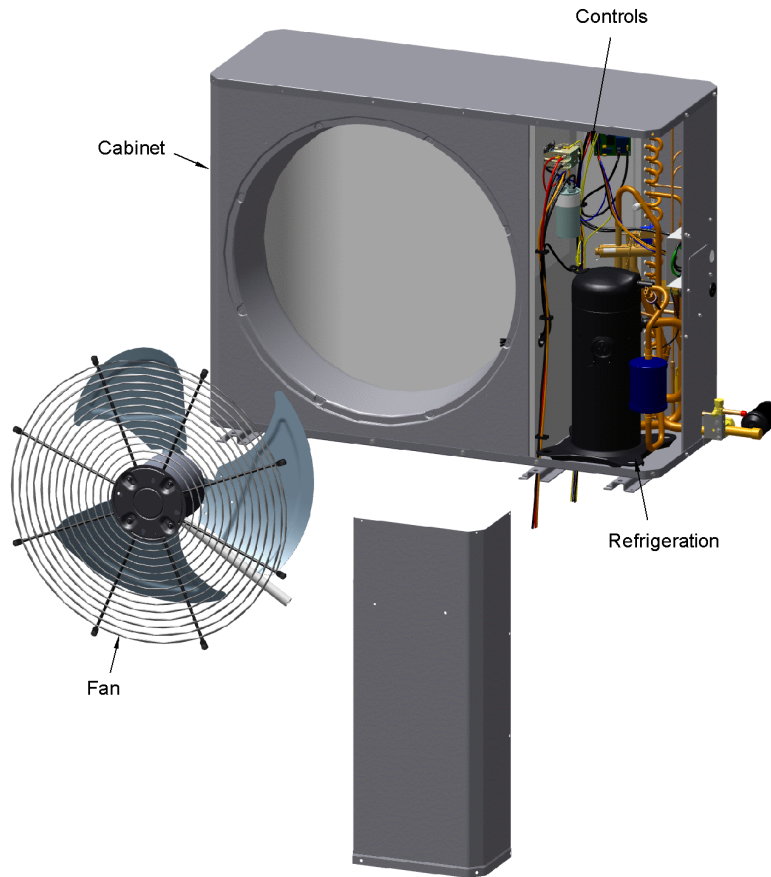
This is a typical illustration. The unit in the field may not appear exactly as shown.

Part No.	Reference No.	Quantity	Description
75012536#4TWL6UP1~S	*		CABINET
75012533#4TWL6UP1~S	*		CONTROLS
75012081#4TWL6UP1~S	*		FAN
75005586#4TWL6UP1~S	*		MODEL NUMBER DESCRIPTION
ZZOPTIONS#4TWL6UP1~S	*		OPTIONAL ACCESSORIES
75012535#4TWL6UP1~S	*		REFRIGERATION
75012531_4TWL6UP1_183353~P	*		XR16 LOW PROFILE SIDE DISCHARGE HEAT PUMP PARTS LIST

XR16 LOW PROFILE HEAT PUMP

75012531

RP
A

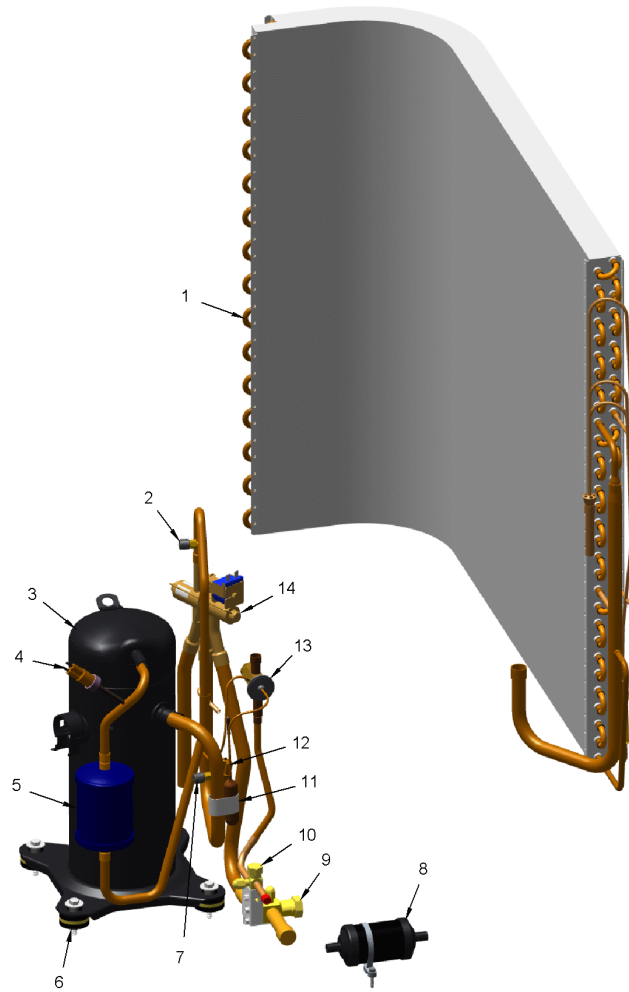


This is a typical illustration. The unit in the field may not appear exactly as shown.

REFRIGERATION

75012535

RP
A



This is a typical illustration. The unit in the field may not appear exactly as shown.

Parts List Number :75012531#4TWL6UP1

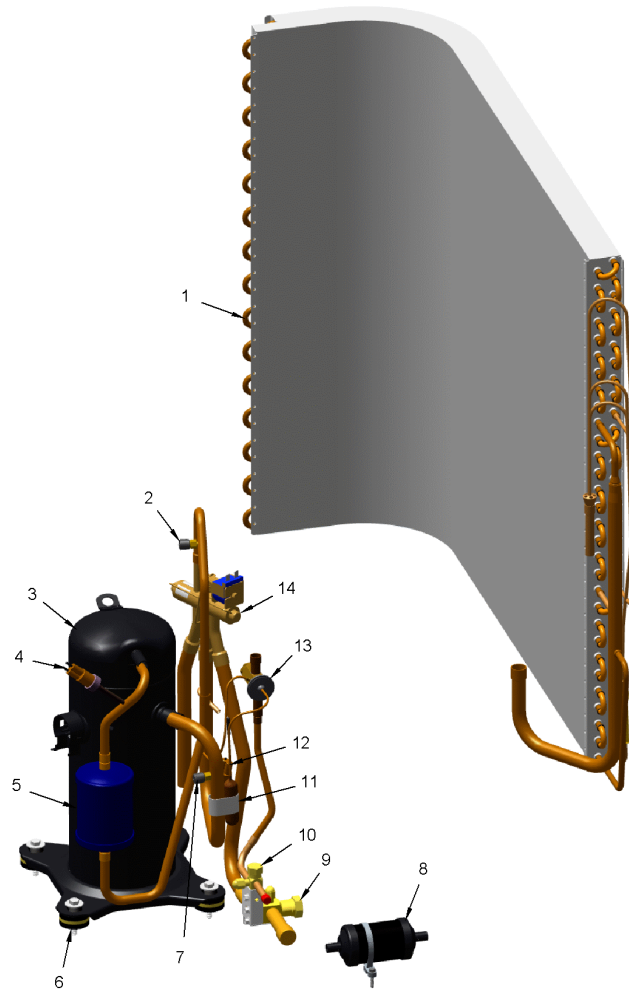
Model Number :4TWL6036A1000AA

Part No.	Reference No.	Quantity	Description
75012535_4TWL6UP1_329338-P	*		REFRIGERATION PARTS LIST

REFRIGERATION

75012535

RP
A



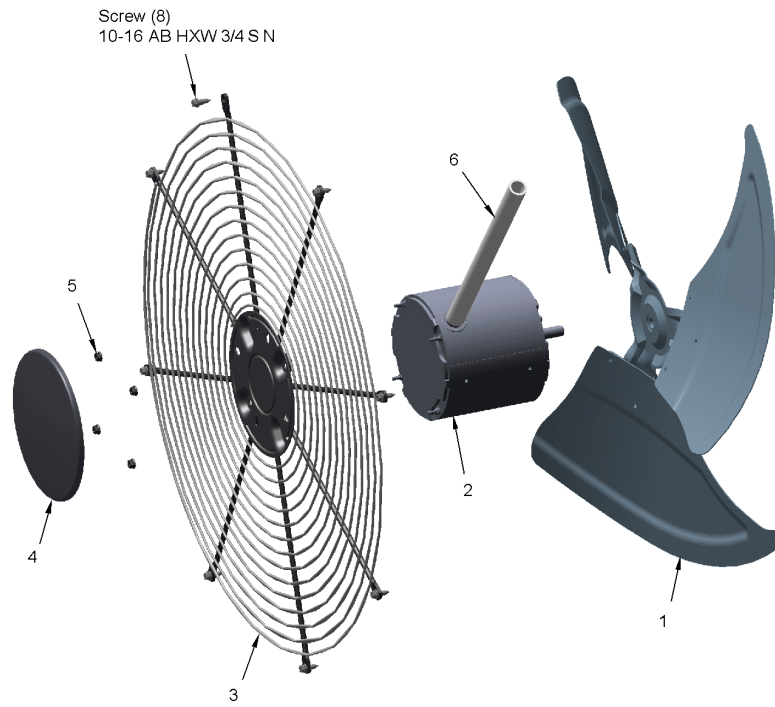
This is a typical illustration. The unit in the field may not appear exactly as shown.

Part No.	Reference No.	Quantity	Description
PLU01299	*	1	PLUG; SCROLL COMPRESSOR HARNESS, BK/BL, OR, RD WIRES, 46 IN LENGTH
COL28280	1	1	COIL; OUTDOOR, PLATE FIN
BOD00114	2a	1	BODY; VALVE, BRASS, 7/16 HEX, 7/16 -20 UNF-2A
CAP00455	2b	1	CAP; HUB, 7/16-20 STRAIGHT
COR00103	2c	1	CORE; VALVE, .79 LENGTH, .206-36 UNS-1 MOD. THD
COM11968	3	1	COMPRESSOR; SCROLL; LG; LBA031C1CLA; 3 TON; 30,800 BTUH; 208/230-60-1; R-410A; BRAZED; SUCTION 3/4; DISCHARGE 1/2
SWT04140	4	1	SWITCH; HIGH PRESSURE, SPST, OPEN AT 650 PSIG, CLOSE AT 500 PSIG, 36 IN YELLOW/RED LEADS
MFL00806	5	1	MUFFLER; 1/2 ODF CONNECTION (DRIER COULD BE PAINTED EITHER SMOKE GRAY OR NAVY BLUE)
SCR01914	6	4	SCREW, ASSEMBLY COMPRESSOR, 5/16-12 TYPE B, W/WASHER & SLEEVE
BOD00114	7a	1	BODY; VALVE, BRASS, 7/16 HEX, 7/16 -20 UNF-2A
CAP00455	7b	1	CAP; HUB, 7/16-20 STRAIGHT
COR00103	7c	1	CORE; VALVE, .79 LENGTH, .206-36 UNS-1 MOD. THD
DHY01452	8	1	DRIER; BI-FLOW; SERVICE FIRST; 16 CU. IN; DCB163S, 3/8 ODF CONNECTIONS; 5.7 TON CAPACITY; APPROVED FOR MINERAL OIL AND POE OIL REFRIGERANTS; MANUFACTU
VAL11773	9	1	VALVE; SERVICE GAS ASSEMBLY, 0.88 ODS X 0.88 ODS, WITH 0.25 SAE SERVICE PORT SERVICE
VAL09302	10a	1	VALVE, SERVICE LIQUID, .31 ODF X .38 ODF
CAP01336	10b	1	CAP; SERVICE LIQUID VALVE, BRASS, 0.75 OD X 0.57 ID X 11/16-28UN-2B
CLP00223	11	1	CLIP; BULB
SWT04148	12	1	SWITCH; LOW PRESSURE BZ
VAL18679	13	1	VALVE; EXPANSION, 1 TON, 3/8 IN ODF INLET X 1/2 IN ODF OUTLET, 84/126 PSIG
VAL08957	14	1	VALVE; SWITCHOVER, 6 TON, .75 ID X .50 OD, (INCLUDES SOLENOID COIL)

FAN

75012081

REV.
A



This is a typical illustration. The unit in the field may not appear exactly as shown.

Parts List Number :75012531#4TWL6UP1

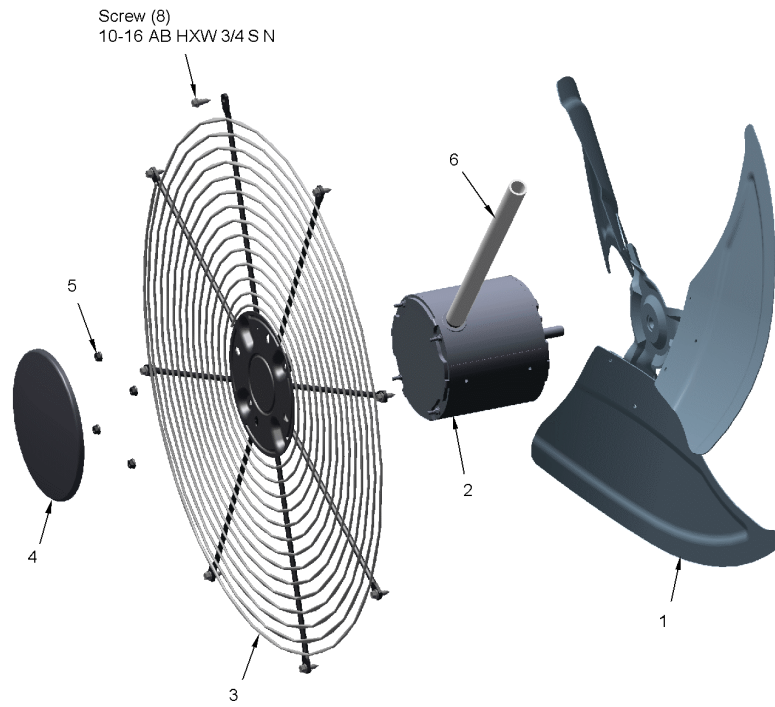
Model Number :4TWL6036A1000AA

Part No.	Reference No.	Quantity	Description
75012081_4TWL6UP1_248684-P	*		FAN PARTS LIST

FAN

75012081

REV.
A



This is a typical illustration. The unit in the field may not appear exactly as shown.

Parts List Number :75012531#4TWL6UP1

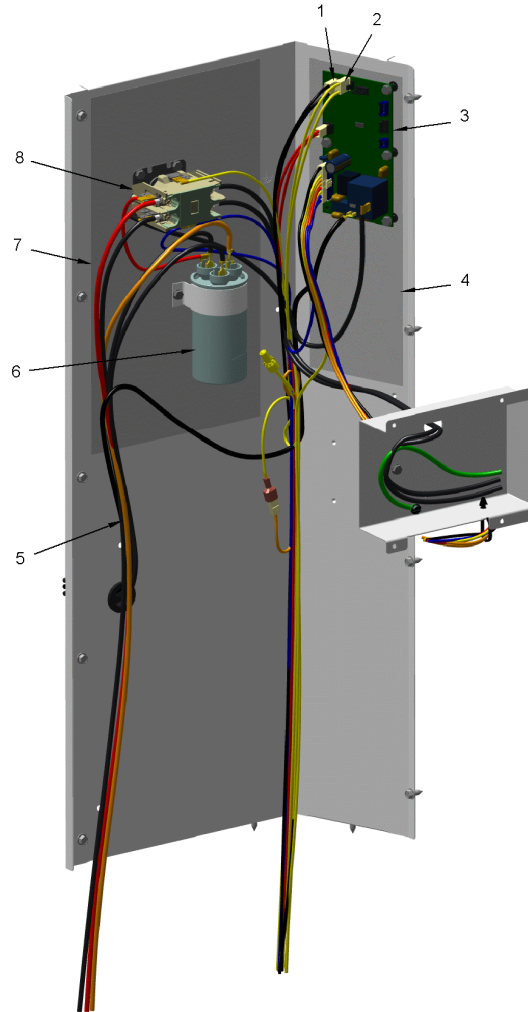
Model Number :4TWL6036A1000AA

Part No.	Reference No.	Quantity	Description
FAN06039	1	1	FAN; SWEPT BLADE, 3 BLADE, ALUMINUM, 27.30 IN DIA, 19 DEG PITCH, 0.50 IN BORE, CCW, 1 SET SCREW-STEEL
MOT17988	2	1	MOTOR; 1/12 HP FAN MOTOR (ALUMINUM)
GRL01348	3	1	GRILLE; FAN, 29 IN DIA, SPIRAL WIRE, BASALT GREY
COV03250	4	1	COVER; MOTOR, 6.86 DIA
NUT00845	5	4	NUT; FLANGE NIBBED
GRD01633	6	1	GUARD; TROUGH-LEAD

CONTROLS

75012533

RP
A



This is a typical illustration. The unit in the field may not appear exactly as shown.

Parts List Number :75012531#4TWL6UP1

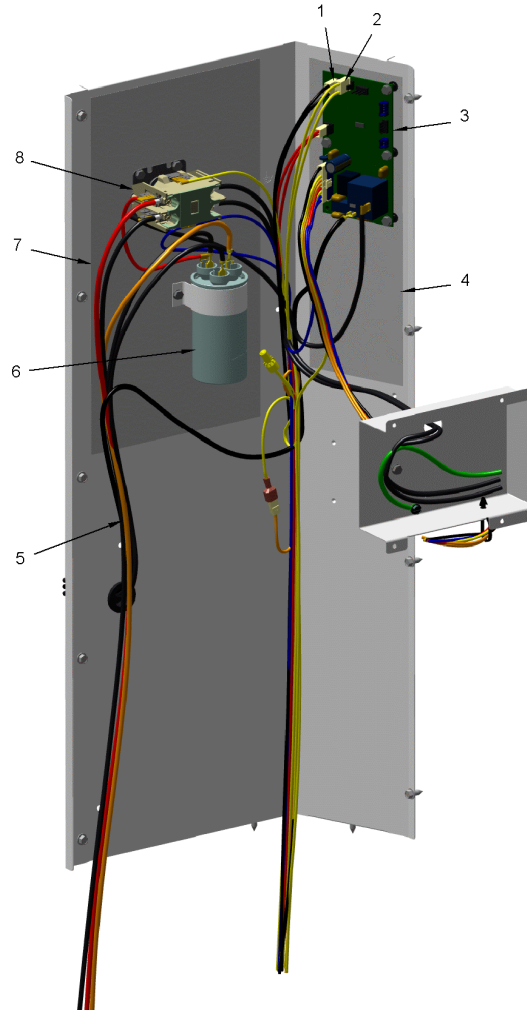
Model Number :4TWL6036A1000AA

Part No.	Reference No.	Quantity	Description
75012533_4TWL6UP1_250514-P	*		CONTROLS PARTS LIST

CONTROLS

75012533

RP
A



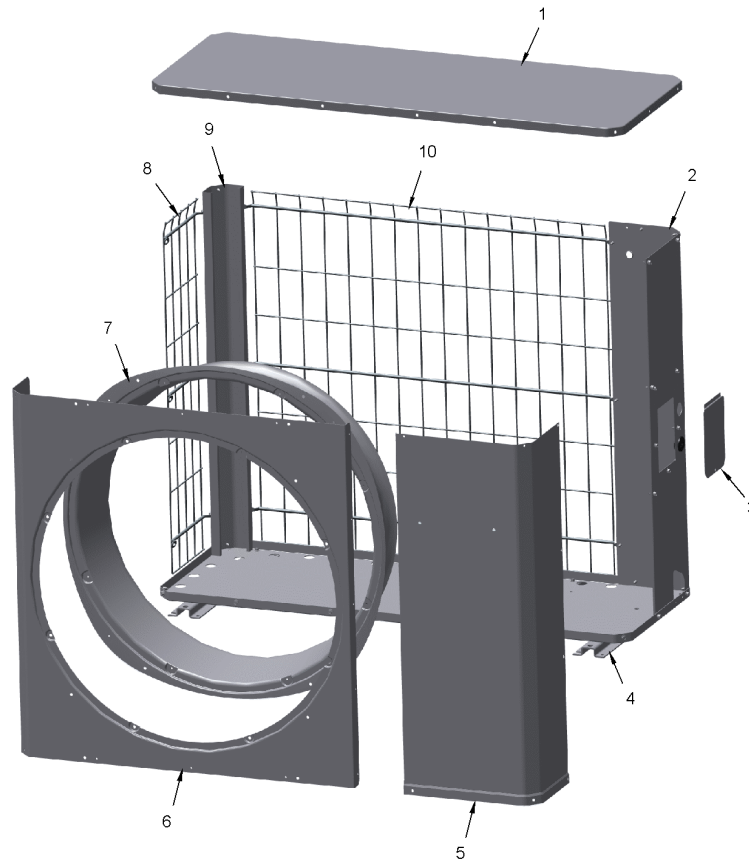
This is a typical illustration. The unit in the field may not appear exactly as shown.

Part No.	Reference No.	Quantity	Description
SCR01918	*	5	SCREW, 10-24 THREAD ROLL, INDENT HEX WASHER HD
THT03236	*	1	THERMOSTAT; HIGH TEMP
SEN02689	1	1	SENSOR; AMBIENT, (2) BLACK WIRES, 24AWG, 105C, 40 IN LENGTH
SEN01729	2	1	SENSOR; ASSEMBLY, 9.75K OHMS RESISTANCE AT 75 DEG F, YELLOW LEADS
CNT07824	3	1	CONTROL; DEFROST BOARD
SHD00387	4	1	SHIELD; MOISTURE, 10.25 X 4.00
WIR09140	5	1	WIRE; HARNESS, CONTROL PANEL, 8 PIN, TO: MS-COIL, LPCO, SOV
CPT02380	6	1	CAPACITOR; DUAL, 45/5 MFD, 370V, ROUND, W/O RESISTOR
SRP00269	6	1	STRAP; CAPACITOR
SHD00592	7	1	SHIELD; MOISTURE, 13.88 X 7.50
CTR00845	8	1	CONTACTOR; 30 AMP, 240/480/600V, 24V COIL, 1 POLE

CABINET

75012536

RP
A



This is a typical illustration. The unit in the field may not appear exactly as shown.

Parts List Number :75012531#4TWL6UP1

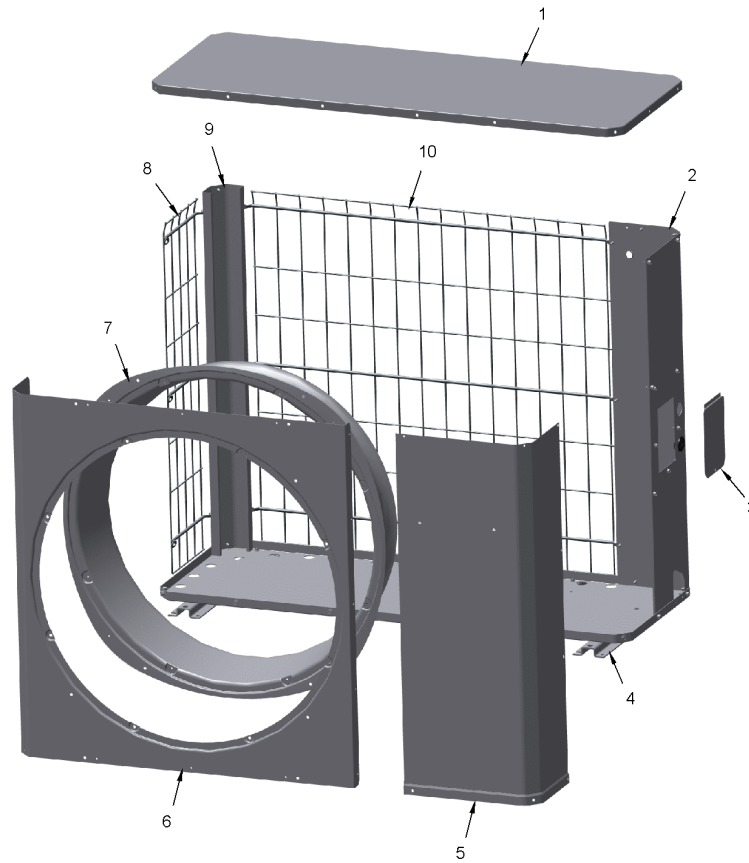
Model Number :4TWL6036A1000AA

Part No.	Reference No.	Quantity	Description
75012536_4TWL6UP1_209513~P	*		CABINET PARTS LIST

CABINET

75012536

RP
A



This is a typical illustration. The unit in the field may not appear exactly as shown.

Part No.	Reference No.	Quantity	Description
PAI00246	*	1	PAINT; SPRAY, TARPAULIN GRAY (SHIPPING UOM 12 OZ HAZ)
COV05328	1	1	COVER; TOP, 47.00 X 17.50
PNL35590	2	1	PANEL; SERVICE 4.3 TR
DOR04389	3	1	DOOR; SERVICE PANEL, 5.75 X 4.25
RAL01194	4	3	RAIL; BASE, 20.50 X 2.65 X 0.65
PNL34721	5	1	PANEL; ACCESS, 35.81 H
PNL35668	6	1	PANEL; FRONT, 34.62 X 36.00 X 29.70 DIA OPENING
ORF02011	7	1	ORIFICE; BASE, 39.5 ID DIA
GRL02168	8	1	GRILLE; WIRE ZLL SIDE 4.3
RAL01204	9	1	RAIL; POST-CORNER 3.3/4.3 TR
GRL02164	10	1	GRILLE; WIRE ZLL BACK 4.3

MODEL NUMBER DESCRIPTION
OUTDOOR UNITS

75005586

REV
E

Example Model Number:

4 TWV 0 0 3 6 A 1 0 0 0 A A
1 - - - - 5 - - - - 10 - - - - 15

Digit 1 – Refrigerant Type

- 2 = R-22
- 4 = R-410A

Digit 2 – Trane

Digit 3 – Product Type

- W = Split Heat Pump
- T = Split Cooling

Digit 4 – Product Family

- V = Variable Speed
- Z = Leadership - Two Stage
- X = Leadership
- R = Replacement/Retail
- M or B = Basic
- A = Light Commercial
- L = Side Discharge
- S = Side Discharge 3 Phase

Digit 5 – Family SEER

- 3 = 13 7 = 17
- 4 = 14 8 = 18
- 5 = 15 9 = 19
- 6 = 16 0 = 20

Digits 6 – Split System Connections 1-6 Tons

- 0 = Brazed

Digits 7,8 – Nominal Capacity in 000s BTUs

Digit 9 – Major Design Modifications

Digit 10 – Power Supply

- 1 = 200-230/1/60 or 208-230/1/60
- 3 = 200-230/3/60
- 4 = 460/3/60
- 5 = 400/3/60
- A = 220-240/1/50
- D = 380-415/3/50

Digit 11,12,13 – Secondary Function

Digit 14 – Minor Design Modifications

Digit 15 – Unit Parts Identifier

Part No.	Reference No.	Quantity	Description
75005586_4TWL6UP1_183354-P	*		MODEL NUMBER DESCRIPTION PARTS LIST

MODEL NUMBER DESCRIPTION

75005586

REV
D

OUTDOOR UNITS

Example Model Number:

4 TWV 00 3 6 A 1 0 0 0 A A
1 - - - 5 - - - 10 - - - 15

Digit 1 – Refrigerant Type

2 = R-22
4 = R-410A

Digit 2 – Trane

Digit 3 – Product Type

W = Split Heat Pump
T = Split Cooling

Digit 4 – Product Family

V = Variable Speed
Z = Leadership - Two Stage
X = Leadership
R = Replacement/Retail
M or B = Basic
A = Light Commercial
L = Side Discharge

Digit 5 – Family SEER

3 = 13 7 = 17
4 = 14 9 = 19
5 = 15 9 = 19
6 = 16 0 = 20

Digits 6 – Split System Connections 1-6 Tons

0 = Brazed

Digits 7,8 – Nominal Capacity in 000s BTUs

Digit 9 – Major Design Modifications

Digit 10 – Power Supply

1 = 200-230/1/60 or 208-230/1/60
3 = 200-230/3/60
4 = 460/3/60

Digit 11,12,13 – Secondary Function

Digit 14 – Minor Design Modifications

Digit 15 – Unit Parts Identifier

OPTIONAL ACCESSORIES

Parts List Number :75012531#4TWL6UP1

Model Number :4TWL6036A1000AA

Part No.	Reference No.	Quantity	Description
ZZOPTIONS_4TWL6UP1_25051 6-P	*		OPTIONAL ACCESSORIES PARTS LIST

Part No.	Reference No.	Quantity	Description
BAYCCHT302RES	*	1	KIT; CRANKCASE HEATER FOR SCROLLS, 40W, 230V (BAYCCHT302RES), 5.5 DIA, 74 IN LENGTH
BAYISLT101	*	1	KIT; ISOLATOR (BAYISLT101) (CONTAINS A QTY OF 5 ISOLATORS)
BAYKSKT263	*	1	KIT; COMPRESSOR START KIT
BAYLEGS004	*	1	KIT; SNOW LEGS, CONTAINS (4) 4" MOUNTING LEGS
BAYLEGS007	*	1	KIT; SNOW LEGS, CONTAINS (4) 7" MOUNTING LEGS
BAYLOAM107A	*	1	LOW AMBIENT KIT
BAYSDEN003	*	1	KIT; SOUND ENCLOSURE, (BAYSDEN003), (MODELS WITH SMALL FRAME (QUANTUM) SCROLL COMPRESSORS NO LARGER THAN 16.4" TALL OR 6.6" IN DIAMETER EXCEPT IN CABI
BRK05033	*	1	BRACKET; LARGE WALL BRACKET WITH RAIL AND 3 ARMS UP TO 350 LBS
KIT06322	*	1	KIT; LOW TEMP COOLING (AY28X079)