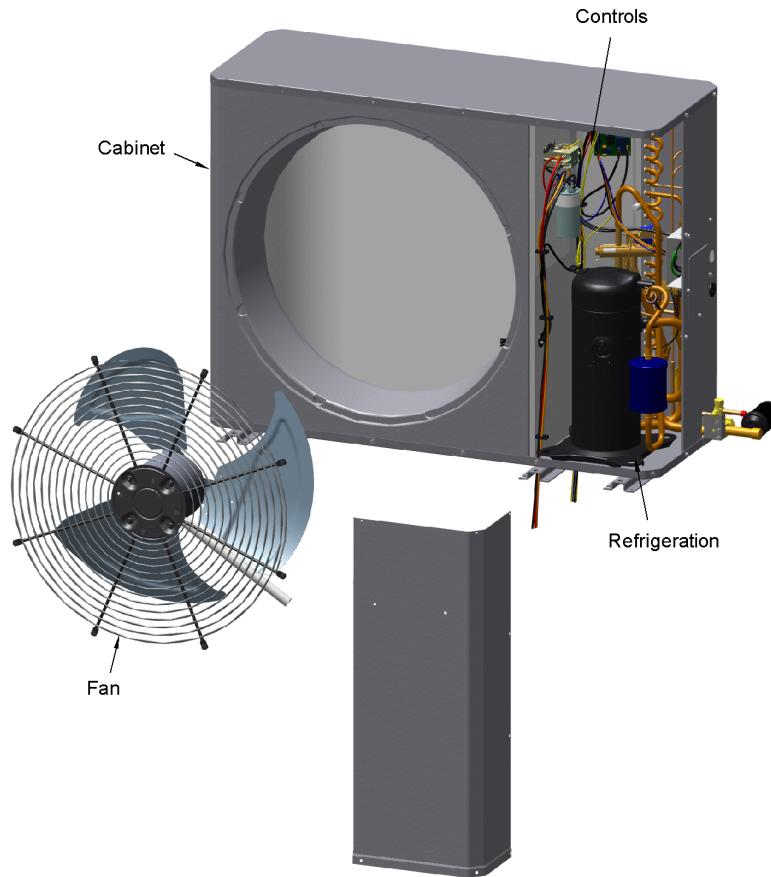


XR16 LOW PROFILE HEAT PUMP

75012531

RP
A



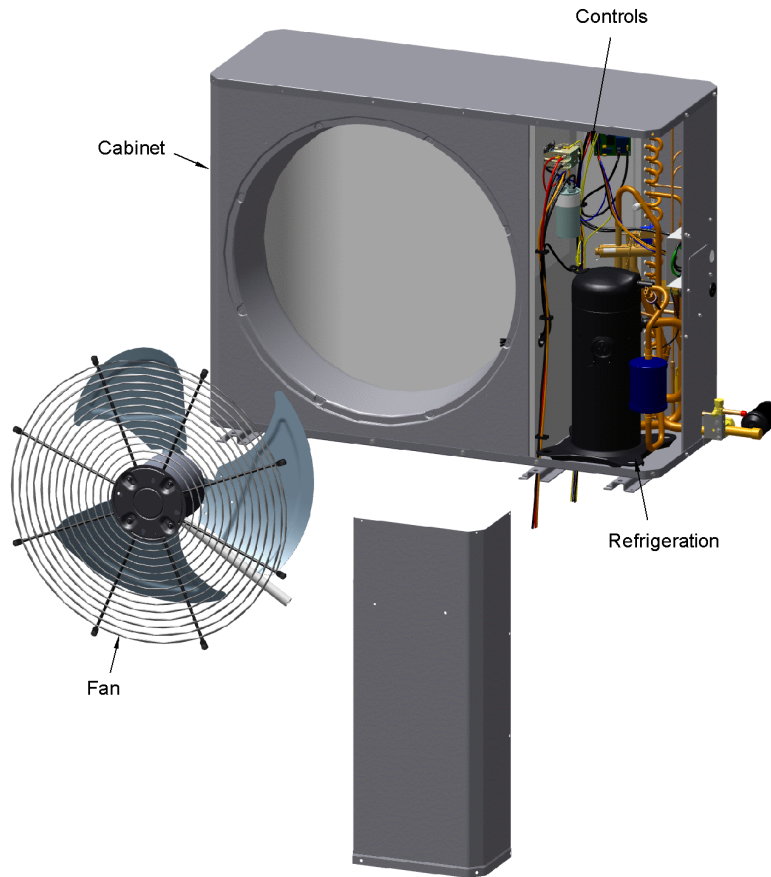
This is a typical illustration. The unit in the field may not appear exactly as shown.

| Part No. | Reference No. | Quantity | Description |
|----------------------------|----------------------|-----------------|--|
| 75012536#4TWL6UP1~S | * | | CABINET |
| 75012533#4TWL6UP1~S | * | | CONTROLS |
| 75012081#4TWL6UP1~S | * | | FAN |
| 75005586#4TWL6UP1~S | * | | MODEL NUMBER DESCRIPTION |
| ZZOPTIONS#4TWL6UP1~S | * | | OPTIONAL ACCESSORIES |
| 75012535#4TWL6UP1~S | * | | REFRIGERATION |
| 75012531_4TWL6UP1_183353~P | * | | XR16 LOW PROFILE SIDE DISCHARGE HEAT PUMP PARTS LIST |

XR16 LOW PROFILE HEAT PUMP

75012531

RP
A

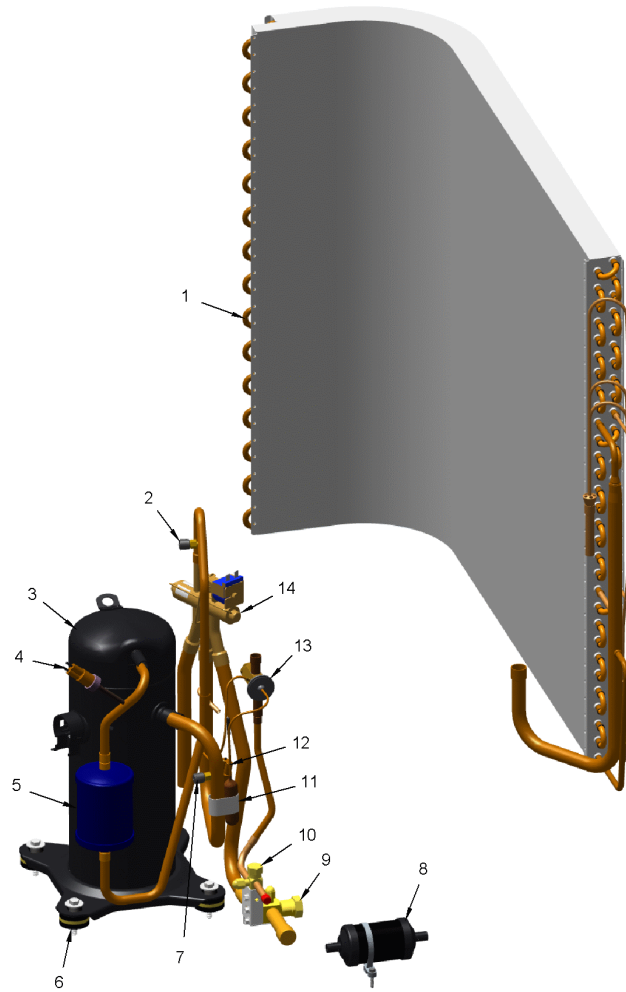


This is a typical illustration. The unit in the field may not appear exactly as shown.

REFRIGERATION

75012535

RP
A



This is a typical illustration. The unit in the field may not appear exactly as shown.

Parts List Number :75012531#4TWL6UP1

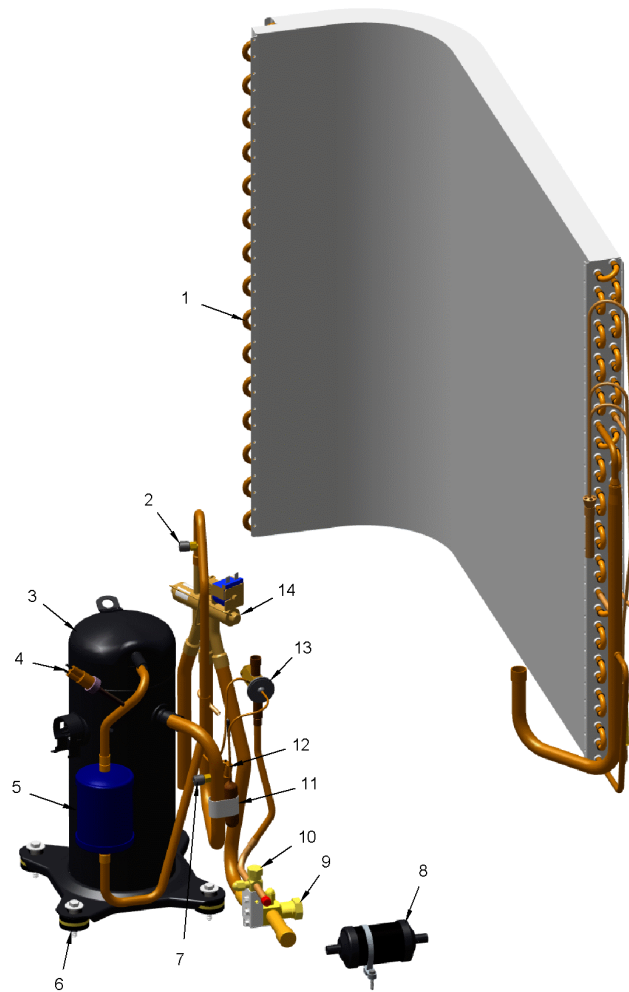
Model Number :4TWL6024A1000AA

| Part No. | Reference No. | Quantity | Description |
|----------------------------|---------------|----------|--------------------------|
| 75012535_4TWL6UP1_277929~P | * | | REFRIGERATION PARTS LIST |

REFRIGERATION

75012535

RP
A



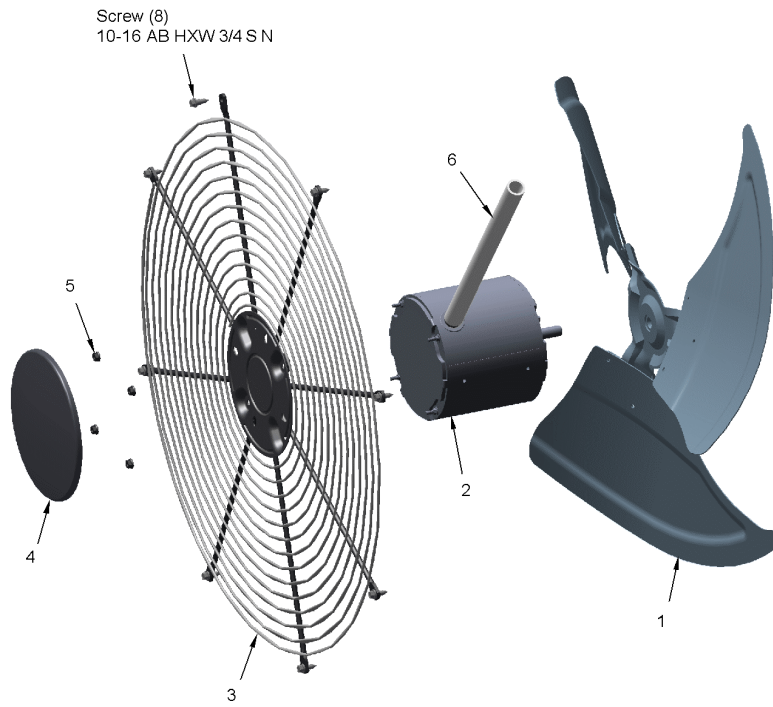
This is a typical illustration. The unit in the field may not appear exactly as shown.

| Part No. | Reference No. | Quantity | Description |
|----------|---------------|----------|--|
| PLU01299 | * | 1 | PLUG; SCROLL COMPRESSOR HARNESS, BK/BL, OR, RD WIRES, 46 IN LENGTH |
| COL28278 | 1 | 1 | COIL; OUTDOOR, PLATE FIN |
| BOD00114 | 2a | 1 | BODY; VALVE, BRASS, 7/16 HEX, 7/16 -20 UNF-2A |
| CAP00455 | 2b | 1 | CAP; HUB, 7/16-20 STRAIGHT |
| COR00103 | 2c | 1 | CORE; VALVE, .79 LENGTH, .206-36 UNS-1 MOD. THD |
| COM11996 | 3 | 1 | COMPRESSOR; SCROLL; LG; LBA020C1CLA; 1.75 TON; 19,500 BTUH; 208/230-60-1; R-410A; BRAZED; SUCTION 3/4; DISCHARGE 1/2 |
| SWT04140 | 4 | 1 | SWITCH; HIGH PRESSURE, SPST, OPEN AT 650 PSIG, CLOSE AT 500 PSIG, 36 IN YELLOW/RED LEADS |
| MFL00806 | 5 | 1 | MUFFLER; 1/2 ODF CONNECTION (DRIER COULD BE PAINTED EITHER SMOKE GRAY OR NAVY BLUE) |
| SCR01914 | 6 | 4 | SCREW, ASSEMBLY COMPRESSOR, 5/16-12 TYPE B, W/WASHER & SLEEVE |
| BOD00114 | 7a | 1 | BODY; VALVE, BRASS, 7/16 HEX, 7/16 -20 UNF-2A |
| CAP00455 | 7b | 1 | CAP; HUB, 7/16-20 STRAIGHT |
| COR00103 | 7c | 1 | CORE; VALVE, .79 LENGTH, .206-36 UNS-1 MOD. THD |
| DHY01451 | 8 | 1 | DRIER; BI-FLOW; SERVICE FIRST; 8 CU. IN; DCB083S, 3/8 ODF CONNECTIONS; 2.3 TON CAPACITY; APPROVED FOR MINERAL OIL AND POE OIL REFRIGERANTS; MANUFACTUR |
| VAL09296 | 9a | 1 | VALVE; SERVICE GAS ASSEMBLY, .75 ODS X .75 ODS, FEMALE BRAZE TO FEMALE BRAZE, LEFT HAND MOUNTING HOLES - D155662P02 |
| CAP01315 | 9b | 1 | CAP; SERVICE LIQUID VALVE, BRASS, 1.06 OD X 0.81 ID X 15/16-20UNEF-2B |
| VAL09302 | 10a | 1 | VALVE, SERVICE LIQUID, .31 ODF X .38 ODF |
| CAP01336 | 10b | 1 | CAP; SERVICE LIQUID VALVE, BRASS, 0.75 OD X 0.57 ID X 11/16-28UN-2B |
| CLP00223 | 11 | 1 | CLIP; BULB |
| SWT04148 | 12 | 1 | SWITCH; LOW PRESSURE BZ |
| VAL18682 | 13 | 1 | VALVE; EXPANSION, 1 TON, 3/8 IN ODF INLET X 1/2 IN ODF OUTLET, 82/123 PSIG |
| VAL08991 | 14 | 1 | VALVE; SWITCHOVER, 3 TON, .50 IDF X .75 OD, W/ 24V SOLENOID COIL |

FAN

75012081

REV.
A



This is a typical illustration. The unit in the field may not appear exactly as shown.

Parts List Number :75012531#4TWL6UP1

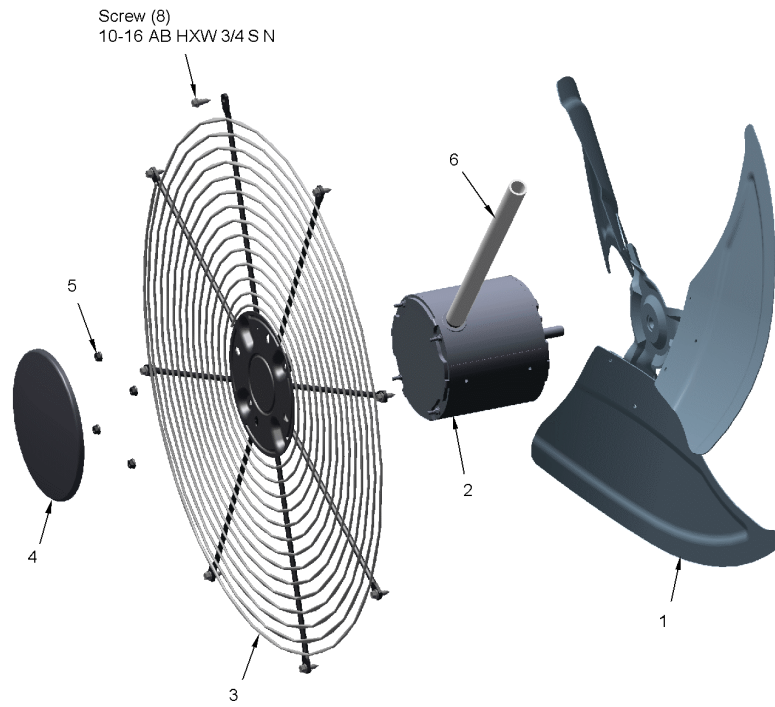
Model Number :4TWL6024A1000AA

| Part No. | Reference No. | Quantity | Description |
|----------------------------|---------------|----------|----------------|
| 75012081_4TWL6UP1_183355~P | * | | FAN PARTS LIST |

FAN

75012081

REV.
A



This is a typical illustration. The unit in the field may not appear exactly as shown.

FAN PARTS LIST

Parts List Number :75012531#4TWL6UP1

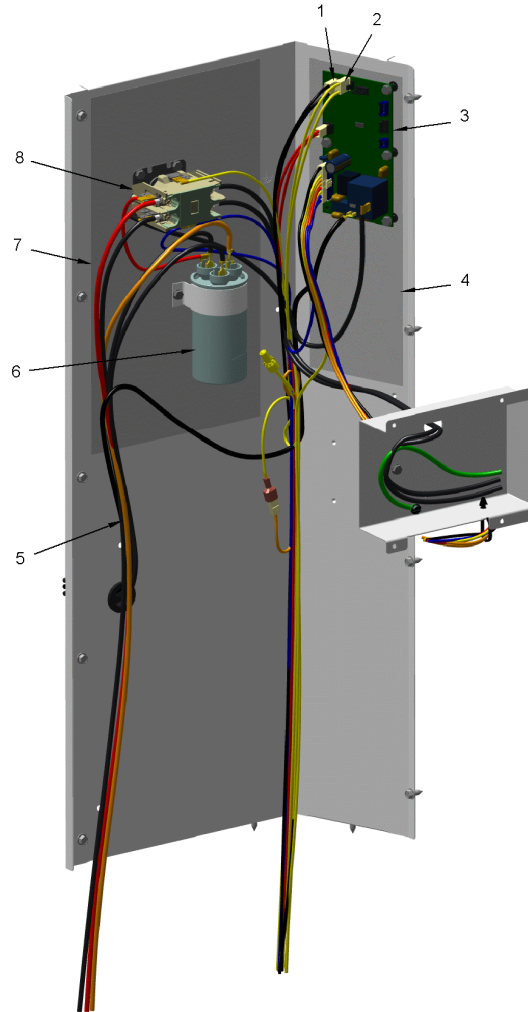
Model Number :4TWL6024A1000AA

| Part No. | Reference No. | Quantity | Description |
|-----------------|----------------------|-----------------|---------------------------------------|
| FAN05905 | 1 | 1 | FAN; BLADE (20 DEG 3 SWEPT) |
| MOT17988 | 2 | 1 | MOTOR; 1/12 HP FAN MOTOR (ALUMINUM) |
| GRL01347 | 3 | 1 | GRILLE; FAN, 25.51 MOUNTING DIA |
| COV03250 | 4 | 1 | COVER; MOTOR, 6.86 DIA |
| NUT00845 | 5 | 4 | NUT; FLANGE NIBBED |
| GRD01715 | 6 | 1 | GUARD; TROUGH-LEAD, 11 IN L X 0.83 OD |

CONTROLS

75012533

RP
A



This is a typical illustration. The unit in the field may not appear exactly as shown.

Parts List Number :75012531#4TWL6UP1

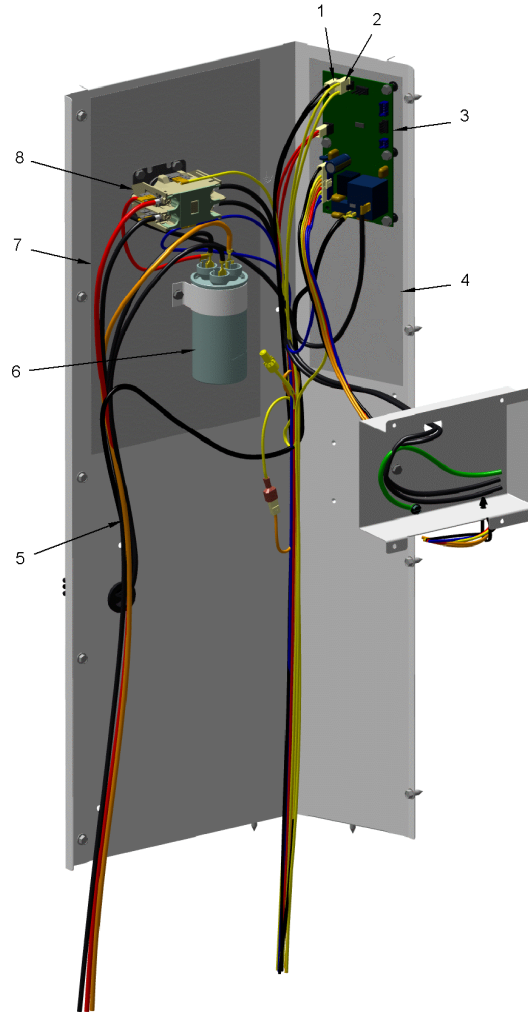
Model Number :4TWL6024A1000AA

| Part No. | Reference No. | Quantity | Description |
|----------------------------|---------------|----------|---------------------|
| 75012533_4TWL6UP1_277928-P | * | | CONTROLS PARTS LIST |

CONTROLS

75012533

RP
A



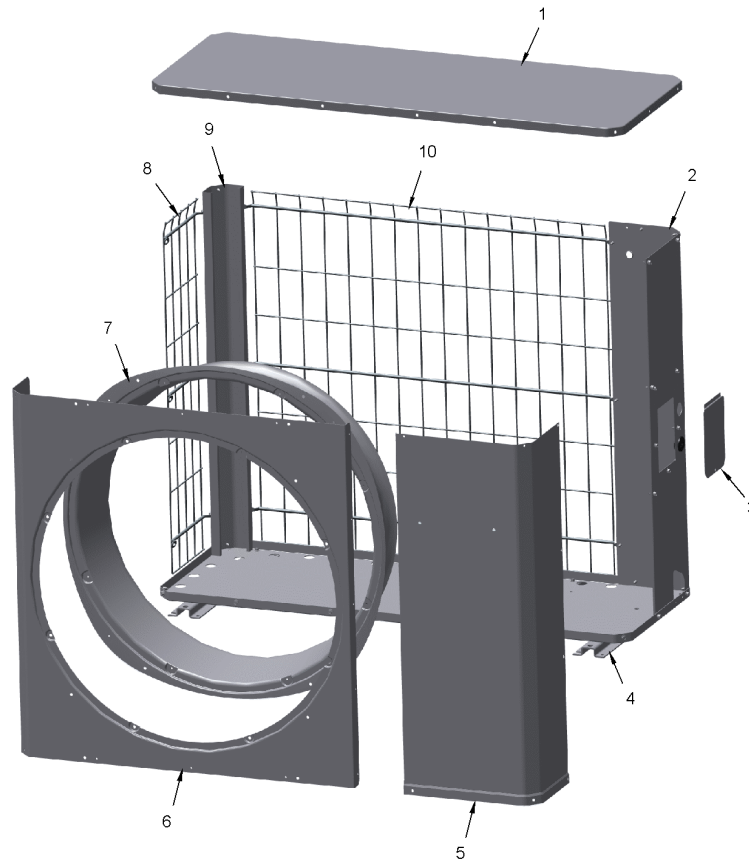
This is a typical illustration. The unit in the field may not appear exactly as shown.

| Part No. | Reference No. | Quantity | Description |
|----------|---------------|----------|---|
| SCR01918 | * | 5 | SCREW, 10-24 THREAD ROLL, INDENT HEX WASHER HD |
| THT03236 | * | 1 | THERMOSTAT; HIGH TEMP |
| SEN02689 | 1 | 1 | SENSOR; AMBIENT, (2) BLACK WIRES, 24AWG, 105C, 40 IN LENGTH |
| SEN01729 | 2 | 1 | SENSOR; ASSEMBLY, 9.75K OHMS RESISTANCE AT 75 DEG F, YELLOW LEADS |
| CNT07824 | 3 | 1 | CONTROL; DEFROST BOARD |
| SHD00387 | 4 | 1 | SHIELD; MOISTURE, 10.25 X 4.00 |
| WIR09140 | 5 | 1 | WIRE; HARNESS, CONTROL PANEL, 8 PIN, TO: MS-COIL, LPCO, SOV |
| CPT00977 | 6 | 1 | CAPACITOR; DUAL, 35/5 MFD, 440V, ROUND, W/O RESISTOR |
| SRP00269 | 6 | 1 | STRAP; CAPACITOR |
| SHD00592 | 7 | 1 | SHIELD; MOISTURE, 13.88 X 7.50 |
| CTR00845 | 8 | 1 | CONTACTOR; 30 AMP, 240/480/600V, 24V COIL, 1 POLE |

CABINET

75012536

RP
A



This is a typical illustration. The unit in the field may not appear exactly as shown.

Parts List Number :75012531#4TWL6UP1

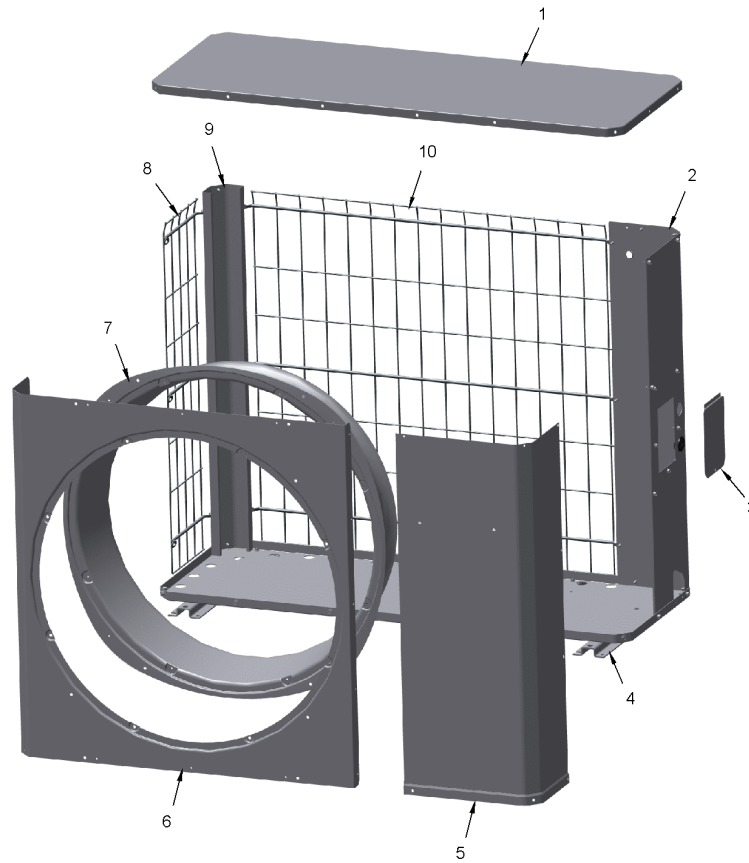
Model Number :4TWL6024A1000AA

| Part No. | Reference No. | Quantity | Description |
|----------------------------|---------------|----------|--------------------|
| 75012536_4TWL6UP1_183363~P | * | | CABINET PARTS LIST |

CABINET

75012536

RP
A



This is a typical illustration. The unit in the field may not appear exactly as shown.

Parts List Number :75012531#4TWL6UP1

Model Number :4TWL6024A1000AA

| Part No. | Reference No. | Quantity | Description |
|----------|---------------|----------|---|
| PAI00246 | * | 1 | PAINT; SPRAY, TARPAULIN GRAY (SHIPPING UOM 12 OZ HAZ) |
| COV05326 | 1 | 1 | COVER; TOP, 40.00 X 14.50 |
| PNL35594 | 2 | 1 | PANEL; SERVICE 3.2 TR |
| DOR04389 | 3 | 1 | DOOR; SERVICE PANEL, 5.75 X 4.25 |
| RAL01193 | 4 | 3 | RAIL; BASE, 17.50 X 2.65 X 0.65 |
| PNL35672 | 5 | 1 | PANEL; ACCESS, 29.80 H |
| PNL35666 | 6 | 1 | PANEL; FRONT, 28.64 X 30.00 X 25.11 DIA OPENING |
| ORF02009 | 7 | 1 | ORIFICE; BASE, 36.0 ID DIA |
| GRL02166 | 8 | 1 | GRILLE; WIRE ZLL SIDE 3.2 |
| RAL01203 | 9 | 1 | RAIL; POST-CORNER 3.2 TR |
| GRL02162 | 10 | 1 | GRILLE; WIRE ZLL BACK 3.2 |

MODEL NUMBER DESCRIPTION
OUTDOOR UNITS

75005586

REV
E

Example Model Number:

4 TWV 0 0 3 6 A 1 0 0 0 A A
1 - - - - 5 - - - - 10 - - - - 15

Digit 1 – Refrigerant Type

2 = R-22
4 = R-410A

Digit 2 – Trane

Digit 3 – Product Type

W = Split Heat Pump
T = Split Cooling

Digit 4 – Product Family

V = Variable Speed
Z = Leadership - Two Stage
X = Leadership
R = Replacement/Retail
M or B = Basic
A = Light Commercial
L = Side Discharge
S = Side Discharge 3 Phase

Digit 5 – Family SEER

3 = 13 7 = 17
4 = 14 8 = 18
5 = 15 9 = 19
6 = 16 0 = 20

Digits 6 – Split System Connections 1-6 Tons

0 = Brazed

Digits 7,8 – Nominal Capacity in 000s BTUs

Digit 9 – Major Design Modifications

Digit 10 – Power Supply

1 = 200-230/1/60 or 208-230/1/60
3 = 200-230/3/60
4 = 460/3/60
5 = 400/3/60
A = 220-240/1/50
D = 380-415/3/50

Digit 11,12,13 – Secondary Function

Digit 14 – Minor Design Modifications

Digit 15 – Unit Parts Identifier

| Part No. | Reference No. | Quantity | Description |
|----------------------------|---------------|----------|-------------------------------------|
| 75005586_4TWL6UP1_183354-P | * | | MODEL NUMBER DESCRIPTION PARTS LIST |

MODEL NUMBER DESCRIPTION

75005586

REV
D

OUTDOOR UNITS

Example Model Number:

4 TWV 00 3 6 A 1 0 0 0 A A
1 - - - 5 - - - 10 - - - 15

Digit 1 – Refrigerant Type

2 = R-22
4 = R-410A

Digit 2 – Trane

Digit 3 – Product Type

W = Split Heat Pump
T = Split Cooling

Digit 4 – Product Family

V = Variable Speed
Z = Leadership - Two Stage
X = Leadership
R = Replacement/Retail
M or B = Basic
A = Light Commercial
L = Side Discharge

Digit 5 – Family SEER

3 = 13 7 = 17
4 = 14 9 = 19
5 = 15 9 = 19
6 = 16 0 = 20

Digits 6 – Split System Connections 1-6 Tons

0 = Brazed

Digits 7,8 – Nominal Capacity in 000s BTUs

Digit 9 – Major Design Modifications

Digit 10 – Power Supply

1 = 200-230/1/60 or 208-230/1/60
3 = 200-230/3/60
4 = 460/3/60

Digit 11,12,13 – Secondary Function

Digit 14 – Minor Design Modifications

Digit 15 – Unit Parts Identifier

OPTIONAL ACCESSORIES

Parts List Number :75012531#4TWL6UP1

Model Number :4TWL6024A1000AA

| Part No. | Reference No. | Quantity | Description |
|---------------------------------|---------------|----------|---------------------------------|
| ZZOPTIONS_4TWL6UP1_18336 4-P | * | | OPTIONAL ACCESSORIES PARTS LIST |

| Part No. | Reference No. | Quantity | Description |
|---------------|---------------|----------|--|
| BAYCCHT302RES | * | 1 | KIT; CRANKCASE HEATER FOR SCROLLS, 40W, 230V (BAYCCHT302RES), 5.5 DIA, 74 IN LENGTH |
| BAYISLT101 | * | 1 | KIT; ISOLATOR (BAYISLT101) (CONTAINS A QTY OF 5 ISOLATORS) |
| BAYKSKT263 | * | 1 | KIT; COMPRESSOR START KIT |
| BAYLEGS004 | * | 1 | KIT; SNOW LEGS, CONTAINS (4) 4" MOUNTING LEGS |
| BAYLEGS007 | * | 1 | KIT; SNOW LEGS, CONTAINS (4) 7" MOUNTING LEGS |
| BAYLOAM107A | * | 1 | LOW AMBIENT KIT |
| BAYSDEN003 | * | 1 | KIT; SOUND ENCLOSURE, (BAYSDEN003), (MODELS WITH SMALL FRAME (QUANTUM) SCROLL COMPRESSORS NO LARGER THAN 16.4" TALL OR 6.6" IN DIAMETER EXCEPT IN CABI |
| BAYWIND100 | * | 1 | WIND BAFFLE ASM |
| BRK05033 | * | 1 | BRACKET; LARGE WALL BRACKET WITH RAIL AND 3 ARMS UP TO 350 LBS |
| KIT06322 | * | 1 | KIT; LOW TEMP COOLING (AY28X079) |