

<b>Part No.</b>	<b>Reference No.</b>	<b>Quantity</b>	<b>Description</b>
0000138272~S	*		CABINET
0000138271~S	*		CONTROLS
0000138270~S	*		FAN
0000138268~S	*		GENERAL ASSEMBLY
0000138273~S	*		MODEL NUMBER DESCRIPTION
0000138274~S	*		OPTIONAL ACCESSORIES
0000138269~S	*		REFRIGERATION

Part No.	Reference No.	Quantity	Description
0000017456~P	*		CABINET PARTS LIST

CABINET

75010774

REV.  
A

TYPICAL ILLUSTRATION



Part No.	Reference No.	Quantity	Description
PAI00246	*	1	PAINT; SPRAY, TARPAULIN GRAY (SHIPPING UOM 12 OZ HAZ)
PLT04086	*	1	PLATE; NAMEPLATE-TRANE LOGO, 9.0 X 1.82. THIS BADGE DOES NOT INCLUDE THE XR1# INSERT. FOR COMPLETE BADGE ORDER PLT03603, PLT04109 OR PLT04079.
SCR02010	*	19	SCREW; 12-18 AB HXW 1/2 SN
COV03396	1	1	COVER; TOP
PNL25809	2	1	PANEL; WRAPPER, 23 X 41
PNL25807	3	1	PANEL; CORNER POST, 3.57 X 41.33
PNL25809	4	1	PANEL; WRAPPER, 23 X 41
COV03399	5	1	COVER; CONTROLS, 26.11 X 11.32
BAS01834	6	1	BASE; 41.78 X 41.81 DIAGONALLY
COV03228	7	1	COVER, CONTROL BOTTOM
PNL25810	8	1	PANEL; ACCESS, 19.84 X 40.65
PNL25807	9	1	PANEL; CORNER POST, 3.57 X 41.33
PNL25808	10	1	PANEL; WRAPPER, 27 X 41.33
PNL25807	11	1	PANEL; CORNER POST, 3.57 X 41.33

Parts List Number :0000130318

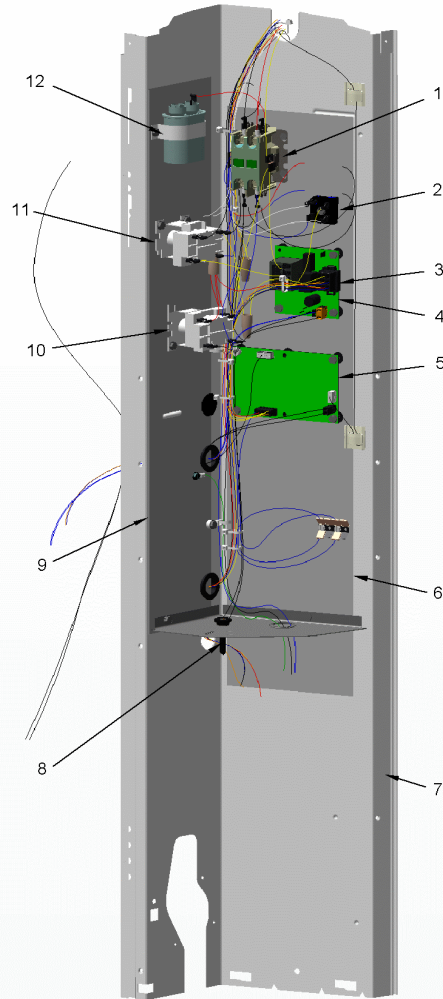
Model Number :4TWA7060A4000AB

Part No.	Reference No.	Quantity	Description
0000022279~P	*		CONTROLS PARTS LIST

CONTROLS

75011427

REV.  
A



This is a typical illustration. The unit in the field may not appear exactly as shown.

Part No.	Reference No.	Quantity	Description
CLP00185	*	1	CLIP; TDL
CON00241	*	2	CONNECTOR; WIRE
PAI00248	*	1	PAINT; 12 OZ SPRAY, ANTHRACITE GRAY (SHIPPING UOM 12 OZ HAZ)
SEN02907	*	1	SENSOR; COIL, 5/16 CLIP, YELLOW WIRES, 54 IN LENGTH
THT03183	*	1	THERMOSTAT; TERMINATOR, 240V, SPST, OPEN AT 105F, CLOSE AT 73F, PR/WH WIRES, 89 IN LENGTH
CTR01038	1	1	CONTACTOR, 30 AMP, 240/277/480/600V, 24V COIL, 2 POLE
RTF00058	2	1	RECTIFIER; BRIDGE
SCR01089	2a	1	SCREW; 10-24C HXW 3/4 S N
WIR08459	3	1	WIRE; HARNESS, CONTROLS
CNT05010	4	1	CONTROL; DEFROST
SCR01924	4a	2	SCREW; 6-32 X .75, THREAD ROLLING SCREWS-ZINC PLATED, HEX WASHER
CNT07029	5	1	CONTROL; EEV BOARD ASSEMBLY
SCR01924	5a	3	SCREW; 6-32 X .75, THREAD ROLLING SCREWS-ZINC PLATED, HEX WASHER
SHD00386	6	2	SHIELD; MOISTURE, 12.75 X 5.00
PNL25790	7	1	PANEL, CONTROL PANEL BASE, 39.14 HEIGHT
SEN02352	8	1	SENSOR; ASSEMBLY, AMBIENT, 19 IN WIRE LENGTH, -40C TO 105C OP TEMP RANGE, 14 IN WIRE LENGTH, BLACK WIRES
SHD00387	9	2	SHIELD; MOISTURE, 10.25 X 4.00
RLY00969	10	1	RELAY; POWER DUTY, SWITCHING, DPDT, 6A AT 240V, 24V COIL
RLY00969	11	1	RELAY; POWER DUTY, SWITCHING, DPDT, 6A AT 240V, 24V COIL
CPT00266	12	1	CAPACITOR; RUN, 5 MFD, 370V, OVAL, W/O RESISTOR

Part No.	Reference No.	Quantity	Description
000022182~P	*		FAN PARTS LIST

FAN

75010673

REV  
A

TYPICAL ILLUSTRATION



<b>Part No.</b>	<b>Reference No.</b>	<b>Quantity</b>	<b>Description</b>
COV03250	*	1	COVER; MOTOR, 6.86 DIA
FAN04368	1	1	FAN, 3 SWEPT BLADE, 27.5" DIA, 26 DEG PITCH, 0.50" BORE, CCW, ALUMINUM
MOT17602	2	1	MOTOR; 1/4 HP, 460/60/1, 830 RPM, 48 FRAME, PSC, SLEEVE BEARINGS, CCW, 5 MFD CPT AT 370V
GRL01348	3	1	GRILLE; FAN, 29 IN DIA, SPIRAL WIRE, BASALT GREY
SCR02086	4	4	SCREW; 10-32 TR-3 HXW 3/8 S
GRD01416	5	1	GUARD, TROUGH-LEAD

Part No.	Reference No.	Quantity	Description
000006174~P	*		GENERAL ASSEMBLY GRAPHIC

SPLIT SYSTEM HEAT PUMP

75010773

REV.  
A

TYPICAL ILLUSTRATION



Part No.	Reference No.	Quantity	Description
000006277~P	*		MODEL NUMBER GRAPHIC

MODEL NUMBER DESCRIPTION

75005586

REV  
D

OUTDOOR UNITS

*Example Model Number:*

**4 TWV 00 3 6 A 1 0 0 0 A A**  
1 - - - 5 - - - 10 - - - 15

**Digit 1 – Refrigerant Type**

2 = R-22  
4 = R-410A

**Digit 2 – Trane**

**Digit 3 – Product Type**

W = Split Heat Pump  
T = Split Cooling

**Digit 4 – Product Family**

V = Variable Speed  
Z = Leadership - Two Stage  
X = Leadership  
R = Replacement/Retail  
M or B = Basic  
A = Light Commercial  
L = Side Discharge

**Digit 5 – Family SEER**

3 = 13      7 = 17  
4 = 14      9 = 19  
5 = 15      9 = 19  
6 = 16      0 = 20

**Digits 6 – Split System Connections 1-6 Tons**

0 = Brazed

**Digits 7,8 – Nominal Capacity in 000s BTUs**

**Digit 9 – Major Design Modifications**

**Digit 10 – Power Supply**

1 = 200-230/1/60 or 208-230/1/60  
3 = 200-230/3/60  
4 = 460/3/60

**Digit 11,12,13 – Secondary Function**

**Digit 14 – Minor Design Modifications**

**Digit 15 – Unit Parts Identifier**

Part No.	Reference No.	Quantity	Description
0000022184~P	*		OPTIONAL ACCESSORIES LIST

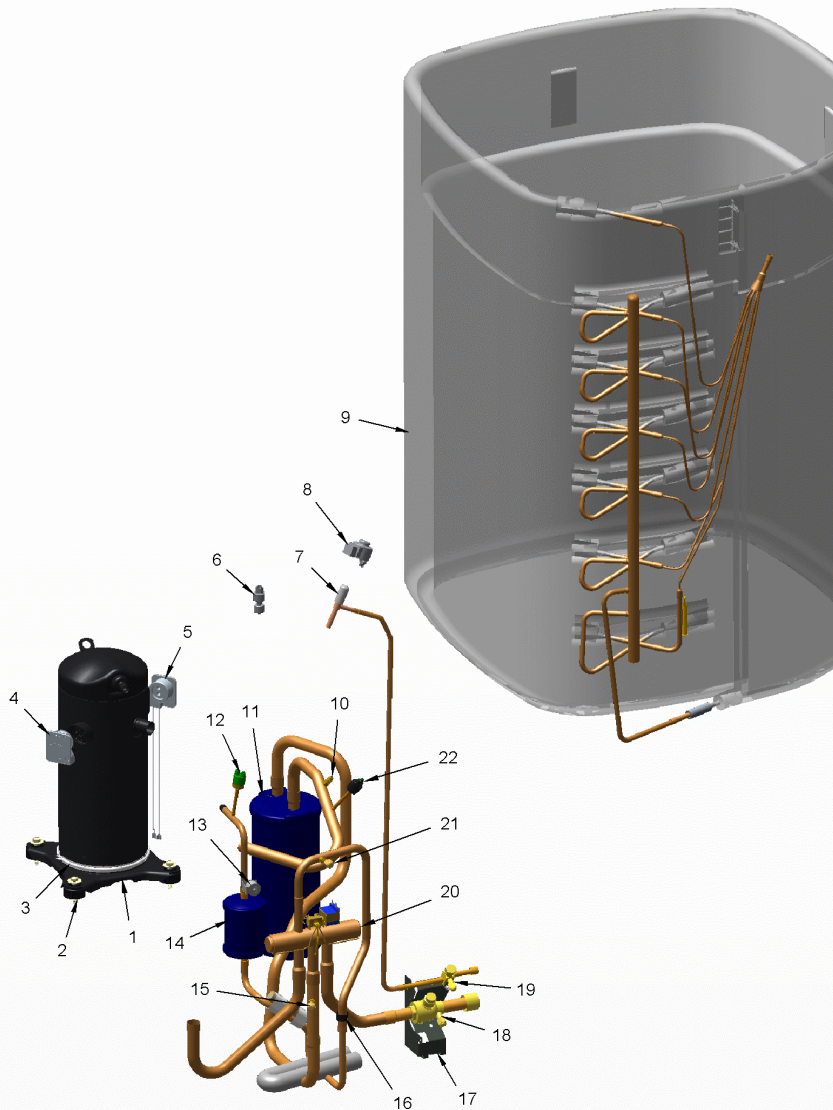
Part No.	Reference No.	Quantity	Description
AY28X084	*	1	KIT; LOW TEMPERATURE COOLING (AY28X084)
BAYAWGR0004	*	1	KIT; ALL WEATHER TOP (FITS BASE SIZES 37W X 34D)
BAYECMT004	*	1	KIT; EXTREME MOUNTING CONDITION (BAYECMT004)
BAYISLT101	*	1	KIT; ISOLATOR (BAYISLT101) (CONTAINS A QTY OF 5 ISOLATORS)
BAYLEGS004	*	1	KIT; SNOW LEGS, CONTAINS (4) 4" MOUNTING LEGS
BAYLEGS007	*	1	KIT; SNOW LEGS, CONTAINS (4) 7" MOUNTING LEGS
BAYLOAM107	*	1	LOW AMBIENT KIT
BAYSEAC001	*	1	KIT; SEA COAST (BAYSEAC001)
PAI00309	*	1	PAINT; DARK BROWN, 12 OZ SPRAY CAN, HERESITE AIR DRY PHENOLIC COATING, VR-554T
TAYASCT501A	*	1	KIT; TIME DELAY (TAYASCT501A) - 5 MINUTE RELAY ONLY IS RLY01343
TAYSVPANL0044A	*	1	PANEL; SERVICE PANEL (TAYSVPANL0044A)
BAYSDEN004		1	KIT; SOUND ENCLOSURE, (BAYSDEN004), (MODELS WITH LARGE FRAME (QUEST) SCROLL COMPRESSORS NO LARGER THAN 17.3" TALL OR 7.3" IN DIAMETER

Part No.	Reference No.	Quantity	Description
0000022180~P	*		REFRIGERATION PARTS LIST

REFRIGERATION

75011504

REV.  
A



This is a typical illustration. The unit in the field may not appear exactly as shown.

Part No.	Reference No.	Quantity	Description
DHY01452	*	1	DRIER; BI-FLOW; SERVICE FIRST; 16 CU. IN; DCB163S, 3/8 ODF CONNECTIONS; 5.7 TON CAPACITY; APPROVED FOR MINERAL OIL AND POE OIL REFRIGERANTS; MANUFACTU
SPC00386	*	1	SPACER; BASE, 5.50 X 1.00 X 0.50
SPC00512	*	3	SPACER; TUBING
SPC00513	*	12	SPACER; COIL
COM12029	1	1	COMPRESSOR; SCROLL, ALLIANCE, TXA049B4CTA, 4.0 TON, 460V/60/3, R-410A, 7/8 SUCTION, 1/2 DISCHARGE, STUB TUBE
ISR00007	2a	4	ISOLATOR; VIBRATION
SCR01914	2b	4	SCREW, ASSEMBLY COMPRESSOR, 5/16-12 TYPE B, W/WASHER & SLEEVE
HTR16543	3	1	HEATER; SUMP, BELLY BAND, 460V, 40W, 6.5 DIA, 78 IN LENGTH
PLU01289	4	1	PLUG; SCROLL COMPRESSOR
PLU01057	5	1	PLUG; COMPRESSOR SOLENOID, 2 LEADS, WHITE WIRES, 85 IN LENGTH
TDR00365	6	1	TRANSDUCER, FOUR PIN OUTDOOR PRESSURE SENSOR, SUCTION LINE
VAL11170	7	1	VALVE; EEV, 1.8 MM, FOR 4 TON
COL15628	8	1	COIL; MOTOR ASM-EEV, STATOR (SC)
COL30303	9	1	COIL; ASM-REPL PACKOUT
BOD00114	10a	1	BODY; VALVE, BRASS, 7/16 HEX, 7/16 -20 UNF-2A
COR00103	10b	1	CORE; VALVE, .79 LENGTH, .206-36 UNS-1 MOD. THD
ACC00168	11	1	ACCUMULATOR; .877 INLET, 13.13 L
SWT03273	12	1	SWITCH, HIGH PRESSURE, SPST, OPEN @ 650 PSIG, CLOSE @ 500 PSIG, 88° YELLOW LEAD
CLP00185	13	1	CLIP; TDL
THT03183	13a	1	THERMOSTAT; TERMINATOR, 240V, SPST, OPEN AT 105F, CLOSE AT 73F, PR/WH WIRES, 89 IN LENGTH
CLP01101	14	1	CLIP; TUBE, BLACK PLASTIC
MFL00806	14a	1	MUFFLER; 1/2 ODF CONNECTION (DRIER COULD BE PAINTED EITHER SMOKE GRAY OR NAVY BLUE)
BOD00114	15a	1	BODY; VALVE, BRASS, 7/16 HEX, 7/16 -20 UNF-2A
COR00103	15b	1	CORE; VALVE, .79 LENGTH, .206-36 UNS-1 MOD. THD
SEN02892	16	1	SENSOR; SUCTION
BRK03020	17	1	BRACKET; VALVE
VAL11774	18	1	VALVE; SERVICE GAS ASSEMBLY, 0.88 ODS X 0.88 ODS, WITH 0.25 SAE SERVICE PORT SERVICE
CAP01412	18a	1	CAP; SERVICE VALVE, BRASS, 1.00 OD X 0.57 ID X M18 X 1-6H
VAL09293	19	1	VALVE, SERVICE LIQUID, .38 OD X .38 OD, VALVE ASSY
CAP01336	19a	1	CAP; SERVICE LIQUID VALVE, BRASS, 0.75 OD X 0.57 ID X 11/16-28UN-2B
VAL08884	20	1	VALVE; SWITCHOVER, 6 TON, 5/8 IN ODF X 7/8 IDF CONNECTION (INCLUDES SOLENOID COIL)
BOD00114	21a	1	BODY; VALVE, BRASS, 7/16 HEX, 7/16 -20 UNF-2A
COR00103	21b	1	CORE; VALVE, .79 LENGTH, .206-36 UNS-1 MOD. THD
SWT04455	22	1	SWITCH; LOW PRESSURE BZ