

SPLIT SYSTEM HEAT PUMP

75010773

REV.  
A

TYPICAL ILLUSTRATION



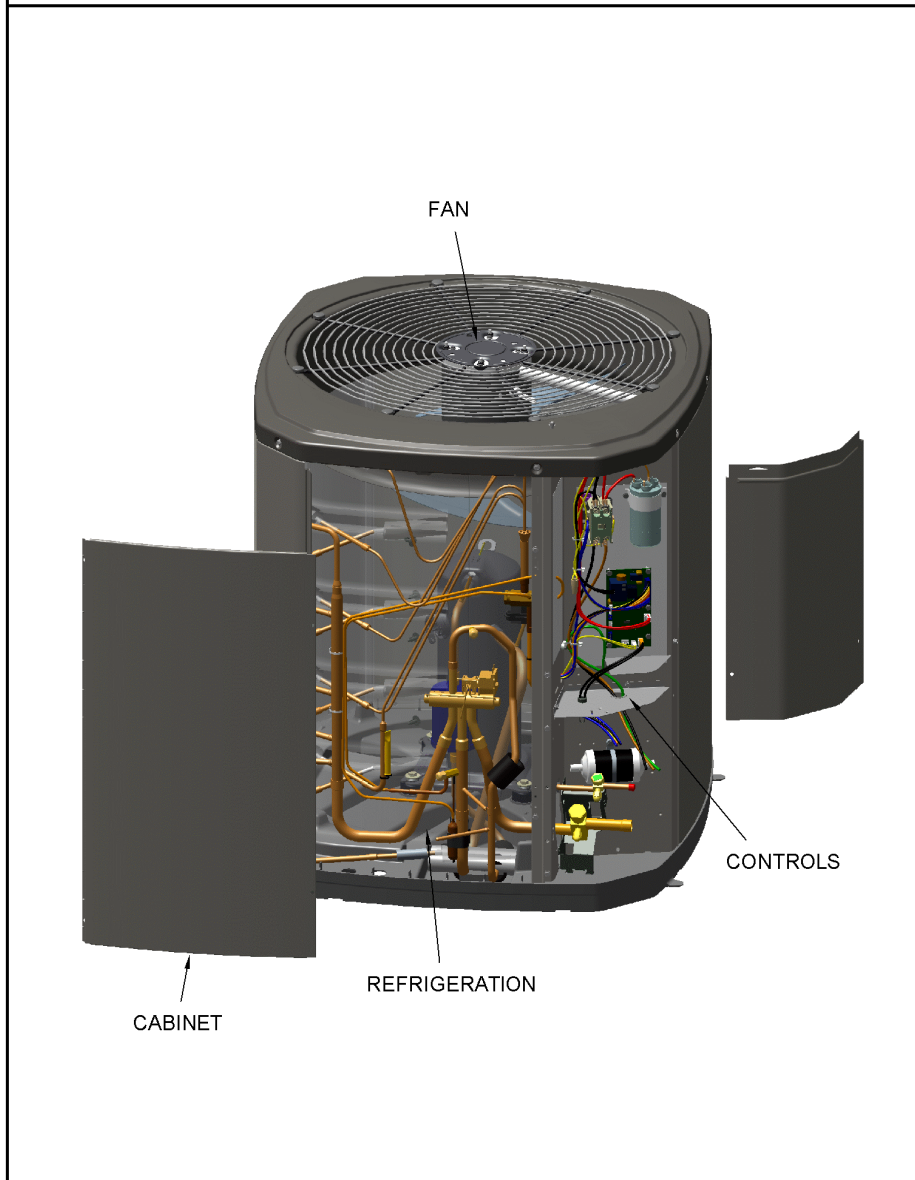
<b>Part No.</b>	<b>Reference No.</b>	<b>Quantity</b>	<b>Description</b>
75010774#4TWA7UP1~S	*		CABINTRY
75011426#4TWA7UP1~S	*		CONTROLS
75010673#4TWA7UP1~S	*		FAN
75005586#4TWA7UP1~S	*		MODEL NUMBER DESCRIPTION
OPTIONS#4TWA7UP1~S	*		OPTIONAL FIELD INSTALLED ACCESSORIES
75011504#4TWA7UP1~S	*		REFRIGERATION
75010773_4TWA7UP1_185841~P	*		SPLIT SYSTEM HEAT PUMP PARTS LIST

SPLIT SYSTEM HEAT PUMP

75010773

REV.  
A

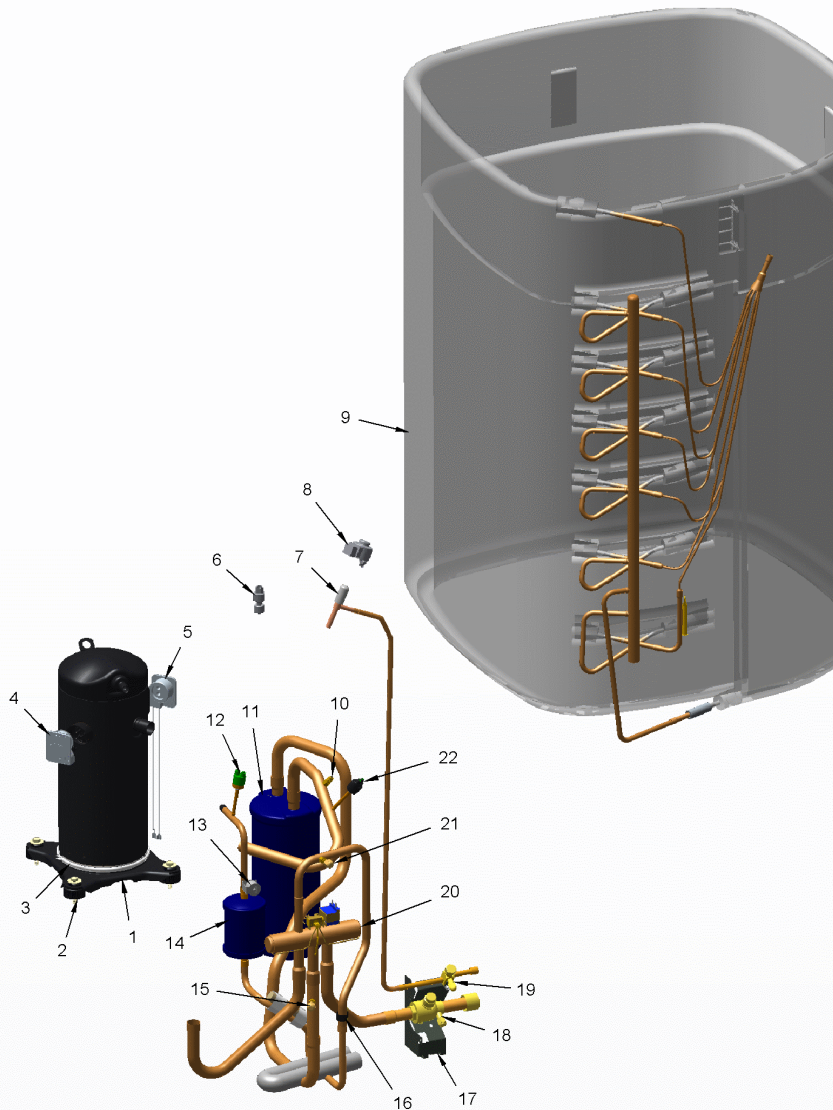
TYPICAL ILLUSTRATION



REFRIGERATION

75011504

REV.  
A



This is a typical illustration. The unit in the field may not appear exactly as shown.

Parts List Number :75010773#4TWA7UP1

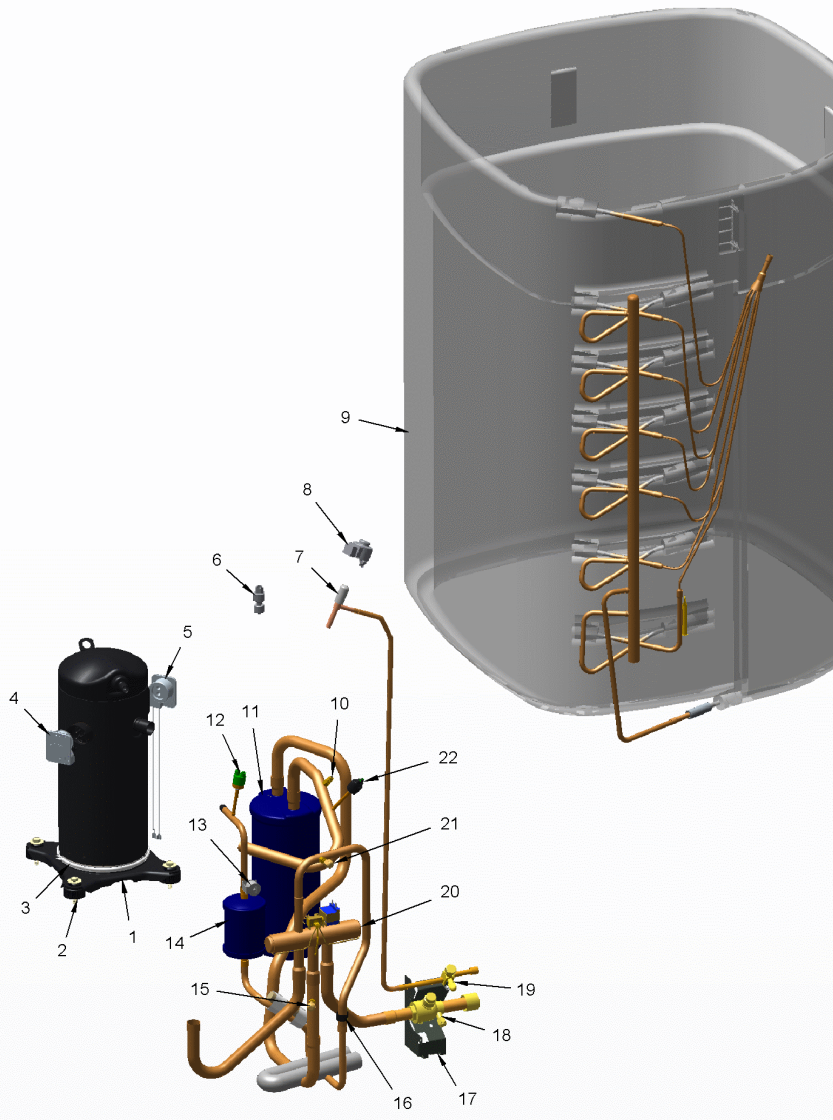
Model Number :4TWA7060A3000AB

Part No.	Reference No.	Quantity	Description
75011504_4TWA7UP1_238054-P	*		REFRIGERATION PARTS LIST

REFRIGERATION

75011504

REV.  
A



This is a typical illustration. The unit in the field may not appear exactly as shown.

Part No.	Reference No.	Quantity	Description
DHY01452	*	1	DRIER; BI-FLOW; SERVICE FIRST; 16 CU. IN; DCB163S, 3/8 ODF CONNECTIONS; 5.7 TON CAPACITY; APPROVED FOR MINERAL OIL AND POE OIL REFRIGERANTS; MANUFACTU
SPC00386	*	1	SPACER; BASE, 5.50 X 1.00 X 0.50
SPC00512	*	3	SPACER; TUBING
SPC00513	*	12	SPACER; COIL
COM12028	1	1	COMPRESSOR; SCROLL, ALLIANCE, TXA049B3CTA, 4.0 TON, 200V-230V/60/3, R-410A, 7/8 SUCTION, 1/2 DISCHARGE, STUB TUBE
ISR00007	2	4	ISOLATOR; VIBRATION
SCR01914	2	4	SCREW, ASSEMBLY COMPRESSOR, 5/16-12 TYPE B, W/WASHER & SLEEVE
HTR12895	3	1	HEATER; CRANKCASE, 40 WATT, 230V, 6.5 DIA
PLU01289	4	1	PLUG; SCROLL COMPRESSOR
PLU01057	5	1	PLUG; COMPRESSOR SOLENOID, 2 LEADS, WHITE WIRES, 85 IN LENGTH
TDR00365	6	1	TRANSDUCER, FOUR PIN OUTDOOR PRESSURE SENSOR, SUCTION LINE
VAL11170	7	1	VALVE; EEV, 1.8 MM, FOR 4 TON
COL15628	8	1	COIL; MOTOR ASM-EEV, STATOR (SC)
COL28483	9	1	COIL; SPINE FIN-5 SIDED
BOD00114	10	1	BODY; VALVE, BRASS, 7/16 HEX, 7/16 -20 UNF-2A
COR00103	10	1	CORE; VALVE, .79 LENGTH, .206-36 UNS-1 MOD. THD
ACC00168	11	1	ACCUMULATOR; .877 INLET, 13.13 L
SWT03273	12	1	SWITCH, HIGH PRESSURE, SPST, OPEN @ 650 PSIG, CLOSE @ 500 PSIG, 88" YELLOW LEAD
CLP00185	13	1	CLIP; TDL
THT02681	13	1	THERMOSTAT; TERMINATOR, 240V, SPST, OPEN AT 105F, CLOSE AT 73F, PR/WH WIRES, 89 IN LENGTH
CLP01101	14	1	CLIP; TUBE, BLACK PLASTIC
MFL00806	14	1	MUFFLER; 1/2 ODF CONNECTION (DRIER COULD BE PAINTED EITHER SMOKE GRAY OR NAVY BLUE)
BOD00114	15	1	BODY; VALVE, BRASS, 7/16 HEX, 7/16 -20 UNF-2A
COR00103	15	1	CORE; VALVE, .79 LENGTH, .206-36 UNS-1 MOD. THD
SEN01588	16	1	SENSOR; EEV, 0.875 TUBE, SUCTION LINE TEMPERATURE SENSOR, 32 IN BLACK WIRES
BRK03020	17	1	BRACKET; VALVE
VAL11774	18	1	VALVE; SERVICE GAS ASSEMBLY, 0.88 ODS X 0.88 ODS, WITH 0.25 SAE SERVICE PORT SERVICE
VAL09293	19	1	VALVE, SERVICE LIQUID, .38 OD X .38 OD, VALVE ASSY
VAL08884	20	1	VALVE; SWITCHOVER, 6 TON, 5/8 IN ODF X 7/8 IDF CONNECTION (INCLUDES SOLENOID COIL)
BOD00114	21	1	BODY; VALVE, BRASS, 7/16 HEX, 7/16 -20 UNF-2A
COR00103	21	1	CORE; VALVE, .79 LENGTH, .206-36 UNS-1 MOD. THD
SWT03375	22	1	SWITCH; LOW PRESSURE, OPEN @ 35 PSIG CLOSE @ 55 PSIG

FAN

75010673

REV  
A

TYPICAL ILLUSTRATION



Parts List Number :75010773#4TWA7UP1

Model Number :4TWA7060A3000AB

Part No.	Reference No.	Quantity	Description
75010673_4TWA7UP1_278069-P	*		FAN PARTS LIST

FAN

75010673

REV  
A

TYPICAL ILLUSTRATION



Parts List Number :75010773#4TWA7UP1

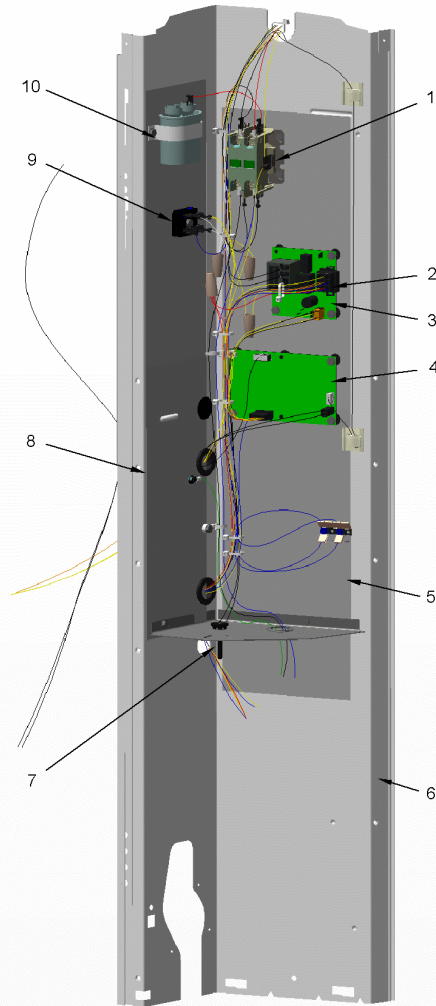
Model Number :4TWA7060A3000AB

<b>Part No.</b>	<b>Reference No.</b>	<b>Quantity</b>	<b>Description</b>
COV03250	*	1	COVER; MOTOR, 6.86 DIA
FAN04368	1	1	FAN, 3 SWEPT BLADE, 27.5" DIA, 26 DEG PITCH, 0.50" BORE, CCW, ALUMINUM
MOT19414	2	1	MOTOR; 1/4 HP 48 FRAME PSC
GRL01348	3	1	GRILLE; FAN, 29 IN DIA, SPIRAL WIRE, BASALT GREY
SCR02086	4	4	SCREW; 10-32 TR-3 HXW 3/8 S
GRD01416	5	1	GUARD, TROUGH-LEAD

CONTROLS

75011426

REV.  
A



This is a typical illustration. The unit in the field may not appear exactly as shown.

Parts List Number :75010773#4TWA7UP1

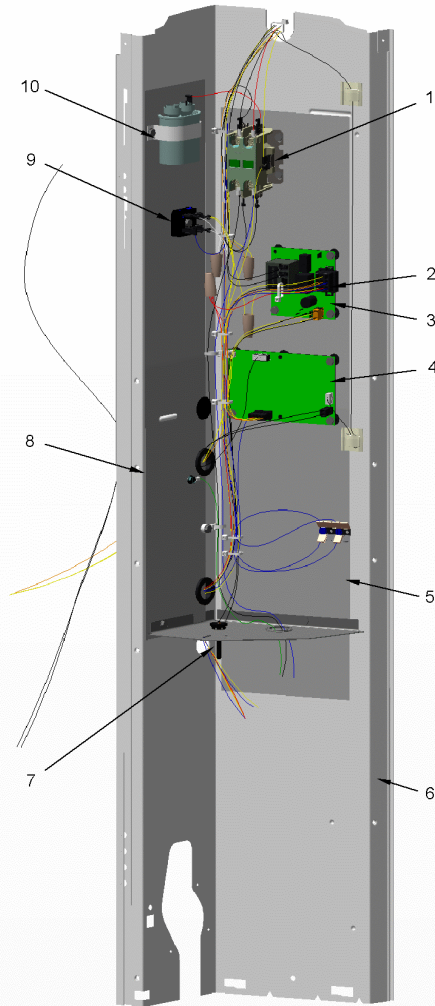
Model Number :4TWA7060A3000AB

Part No.	Reference No.	Quantity	Description
75011426_4TWA7UP1_278070-P	*		CONTROLS PARTS LIST

CONTROLS

75011426

REV.  
A



This is a typical illustration. The unit in the field may not appear exactly as shown.

Part No.	Reference No.	Quantity	Description
CLP00185	*	1	CLIP; TDL
CON00241	*	3	CONNECTOR; WIRE
PAI00248	*	1	PAINT; 12 OZ SPRAY, ANTHRACITE GRAY (SHIPPING UOM 12 OZ HAZ)
RES00118	*	1	RESISTOR; THERMISTOR , 260 OHMS AT 75 DEGREE F
SEN01541	*	1	SENSOR; ASSEMBLY, 9.75K OHMS AT 75F, YELLOW LEADS (CBS-COIL SENSOR)
THT02681	*	1	THERMOSTAT; TERMINATOR, 240V, SPST, OPEN AT 105F, CLOSE AT 73F, PR/WH WIRES, 89 IN LENGTH
CTR01028	1	1	CONTACTOR; 2P, 40A 600V CONTACTS, 24 CV, 60HZ
WIR08458	2	1	WIRE; HARNESS, CONTROLS
CNT05010	3	1	CONTROL; DEFROST
SCR01924	3	3	SCREW; 6-32 X .75, THREAD ROLLING SCREWS-ZINC PLATED, HEX WASHER
CNT07029	4	1	CONTROL; EEV BOARD ASSEMBLY
SCR01924	4	4	SCREW; 6-32 X .75, THREAD ROLLING SCREWS-ZINC PLATED, HEX WASHER
SHD00386	5	2	SHIELD; MOISTURE, 12.75 X 5.00
PNL25790	6	1	PANEL, CONTROL PANEL BASE, 39.14 HEIGHT
SEN02352	7	1	SENSOR; ASSEMBLY, AMBIENT, 19 IN WIRE LENGTH, -40C TO 105C OP TEMP RANGE, 14 IN WIRE LENGTH, BLACK WIRES
SHD00387	8	2	SHIELD; MOISTURE, 10.25 X 4.00
RTF00058	9	1	RECTIFIER; BRIDGE
SCR01089	9	1	SCREW; 10-24C HXW 3/4 S N
CPT00477	10	1	CAPACITOR; RUN, 7.5 MFD, 370VAC, OVAL, W/O RESISTOR
SRP00091	10	1	STRAP, CAPACITOR
SRP00091	12	1	STRAP, CAPACITOR

CABINET

75010774

REV.  
A

TYPICAL ILLUSTRATION



Parts List Number :75010773#4TWA7UP1

Model Number :4TWA7060A3000AB

Part No.	Reference No.	Quantity	Description
75010774_4TWA7UP1_185844-P	*		CABINERY PARTS LIST

CABINET

75010774

REV.  
A

TYPICAL ILLUSTRATION



Parts List Number :75010773#4TWA7UP1

Model Number :4TWA7060A3000AB

Part No.	Reference No.	Quantity	Description
PAI00246	*	1	PAINT; SPRAY, TARPAULIN GRAY (SHIPPING UOM 12 OZ HAZ)
SCR02010	*	19	SCREW; 12-18 AB HXW 1/2 SN
COV03396	1	1	COVER; TOP
PNL25809	2	1	PANEL; WRAPPER, 23 X 41
PNL25807	3	1	PANEL; CORNER POST, 3.57 X 41.33
PNL25809	4	1	PANEL; WRAPPER, 23 X 41
COV03399	5	1	COVER; CONTROLS, 26.11 X 11.32
BAS01834	6	1	BASE; 41.78 X 41.81 DIAGONALLY
COV03228	7	1	COVER, CONTROL BOTTOM
PNL25810	8	1	PANEL; ACCESS, 19.84 X 40.65
PNL25807	9	1	PANEL; CORNER POST, 3.57 X 41.33
PNL25808	10	1	PANEL; WRAPPER, 27 X 41.33
PNL25807	11	1	PANEL; CORNER POST, 3.57 X 41.33

**MODEL NUMBER DESCRIPTION**  
**OUTDOOR UNITS**

75005586

REV  
E

*Example Model Number:*

**4 T W V 0 0 3 6 A 1 0 0 0 A A**  
1 - - - - 5 - - - - 10 - - - - 15

**Digit 1 – Refrigerant Type**

- 2 = R-22
- 4 = R-410A

**Digit 2 – Trane**

**Digit 3 – Product Type**

- W = Split Heat Pump
- T = Split Cooling

**Digit 4 – Product Family**

- V = Variable Speed
- Z = Leadership - Two Stage
- X = Leadership
- R = Replacement/Retail
- M or B = Basic
- A = Light Commercial
- L = Side Discharge
- S = Side Discharge 3 Phase

**Digit 5 – Family SEER**

- 3 = 13      7 = 17
- 4 = 14      8 = 18
- 5 = 15      9 = 19
- 6 = 16      0 = 20

**Digits 6 – Split System Connections 1-6 Tons**

- 0 = Brazed

**Digits 7,8 – Nominal Capacity in 000s BTUs**

**Digit 9 – Major Design Modifications**

**Digit 10 – Power Supply**

- 1 = 200-230/1/60 or 208-230/1/60
- 3 = 200-230/3/60
- 4 = 460/3/60
- 5 = 400/3/60
- A = 220-240/1/50
- D = 380-415/3/50

**Digit 11,12,13 – Secondary Function**

**Digit 14 – Minor Design Modifications**

**Digit 15 – Unit Parts Identifier**

Part No.	Reference No.	Quantity	Description
75005586_4TWA7UP1_185842-P	*		MODEL NUMBER DESCRIPTION PARTS LIST

MODEL NUMBER DESCRIPTION

75005586

REV  
D

OUTDOOR UNITS

*Example Model Number:*

**4 TWV 00 3 6 A 1 0 0 0 A A**  
1 - - - 5 - - - 10 - - - 15

**Digit 1 – Refrigerant Type**

2 = R-22  
4 = R-410A

**Digit 2 – Trane**

**Digit 3 – Product Type**

W = Split Heat Pump  
T = Split Cooling

**Digit 4 – Product Family**

V = Variable Speed  
Z = Leadership - Two Stage  
X = Leadership  
R = Replacement/Retail  
M or B = Basic  
A = Light Commercial  
L = Side Discharge

**Digit 5 – Family SEER**

3 = 13      7 = 17  
4 = 14      9 = 19  
5 = 15      9 = 19  
6 = 16      0 = 20

**Digits 6 – Split System Connections 1-6 Tons**

0 = Brazed

**Digits 7,8 – Nominal Capacity in 000s BTUs**

**Digit 9 – Major Design Modifications**

**Digit 10 – Power Supply**

1 = 200-230/1/60 or 208-230/1/60  
3 = 200-230/3/60  
4 = 460/3/60

**Digit 11,12,13 – Secondary Function**

**Digit 14 – Minor Design Modifications**

**Digit 15 – Unit Parts Identifier**

Parts List Number :75010773#4TWA7UP1

Model Number :4TWA7060A3000AB

Part No.	Reference No.	Quantity	Description
OPTIONS_4TWA7UP1_185851-P	*		OPTIONAL FIELD INSTALLED ACCESSORIES PARTS LIST

NO GRAPHIC AVAILABLE

75013702

REV  
A

**NO  
GRAPHIC  
AVAILABLE**

Parts List Number :75010773#4TWA7UP1

Model Number :4TWA7060A3000AB

Part No.	Reference No.	Quantity	Description
BAYLOAM107	*	1	LOW AMBIENT KIT
KIT05354	*	1	KIT; TIME DELAY (TAYASCT501A) - 5 MINUTE RELAY ONLY IS RLY01343
KIT07731	*	1	KIT; SNOW LEGS, CONTAINS (4) 6" MOUNTING LEGS (BAYLEGS002)
KIT07732	*	1	KIT; SNOW LEGS, (4" EXTENSION KIT) (BAYLEGS003)
KIT07908	*	1	KIT; START ASSEMBLY (BAYKSKT260)
KIT08036	*	1	KIT; SEA COAST (BAYSEAC001)
KIT08413	*	1	KIT; SOUND ENCLOSURE, (BAYSDEN004), (MODELS WITH LARGE FRAME (QUEST) SCROLL COMPRESSORS NO LARGER THAN 17.3" TALL OR 7.3" IN DIAMETER EXCEPT IN CABINET HEIGHTS 32.7" OR SHORTER)
KIT09425	*	1	KIT; ISOLATOR (BAYISLT101) (CONTAINS A QTY OF 5 ISOLATORS)
KIT15190	*	1	KIT; EXTREME MOUNTING CONDITION (BAYECMT004).
PAI00309	*	1	PAINT; DARK BROWN, 12 OZ SPRAY CAN, HERESITE AIR DRY PHENOLIC COATING, VR-554T
TAYSVPANL0044A	*	1	PANEL; SERVICE PANEL (TAYSVPANL0044A)