

Part No.	Reference No.	Quantity	Description
0000138272~S	*		CABINET
0000138271~S	*		CONTROLS
0000138270~S	*		FAN
0000138268~S	*		GENERAL ASSEMBLY
0000138273~S	*		MODEL NUMBER DESCRIPTION
0000138274~S	*		OPTIONAL ACCESSORIES
0000138269~S	*		REFRIGERATION

Part No.	Reference No.	Quantity	Description
0000017456~P	*		CABINET PARTS LIST

CABINET

75010774

REV.
A

TYPICAL ILLUSTRATION



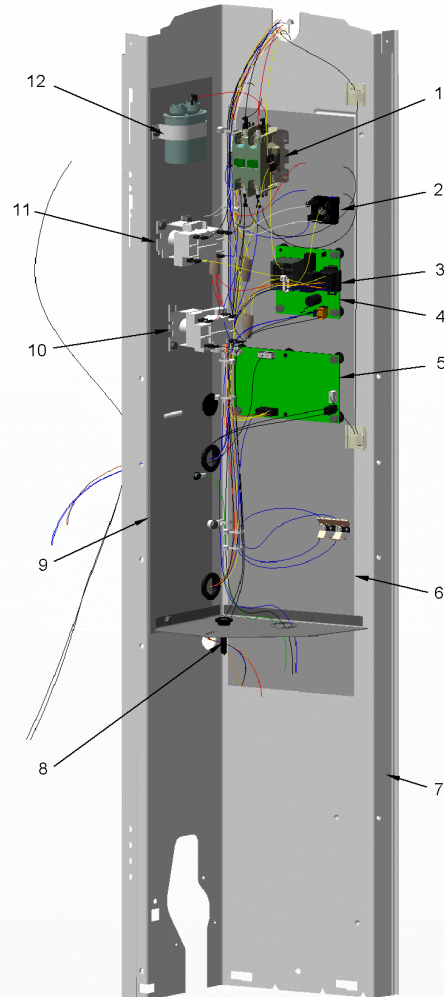
Part No.	Reference No.	Quantity	Description
PAI00246	*	1	PAINT; SPRAY, TARPAULIN GRAY (SHIPPING UOM 12 OZ HAZ)
PLT04086	*	1	PLATE; NAMEPLATE-TRANE LOGO, 9.0 X 1.82. THIS BADGE DOES NOT INCLUDE THE XR1# INSERT. FOR COMPLETE BADGE ORDER PLT03603, PLT04109 OR PLT04079.
SCR02010	*	19	SCREW; 12-18 AB HXW 1/2 SN
COV03396	1	1	COVER; TOP
PNL25809	2	1	PANEL; WRAPPER, 23 X 41
PNL25807	3	1	PANEL; CORNER POST, 3.57 X 41.33
PNL25809	4	1	PANEL; WRAPPER, 23 X 41
COV03399	5	1	COVER; CONTROLS, 26.11 X 11.32
BAS01834	6	1	BASE; 41.78 X 41.81 DIAGONALLY
COV03228	7	1	COVER, CONTROL BOTTOM
PNL25810	8	1	PANEL; ACCESS, 19.84 X 40.65
PNL25807	9	1	PANEL; CORNER POST, 3.57 X 41.33
PNL25808	10	1	PANEL; WRAPPER, 27 X 41.33
PNL25807	11	1	PANEL; CORNER POST, 3.57 X 41.33

Part No.	Reference No.	Quantity	Description
0000022276~P	*		CONTROLS PARTS LIST

CONTROLS

75011427

REV.
A



This is a typical illustration. The unit in the field may not appear exactly as shown.

Part No.	Reference No.	Quantity	Description
CLP00185	*	1	CLIP; TDL
CON00241	*	2	CONNECTOR; WIRE
PAI00248	*	1	PAINT; 12 OZ SPRAY, ANTHRACITE GRAY (SHIPPING UOM 12 OZ HAZ)
SEN02907	*	1	SENSOR; COIL, 5/16 CLIP, YELLOW WIRES, 54 IN LENGTH
THT03183	*	1	THERMOSTAT; TERMINATOR, 240V, SPST, OPEN AT 105F, CLOSE AT 73F, PR/WH WIRES, 89 IN LENGTH
CTR01038	1	1	CONTACTOR, 30 AMP, 240/277/480/600V, 24V COIL, 2 POLE
RTF00058	2	1	RECTIFIER; BRIDGE
SCR01089	2a	1	SCREW; 10-24C HXW 3/4 S N
WIR08459	3	1	WIRE; HARNESS, CONTROLS
CNT05010	4	1	CONTROL; DEFROST
SCR01924	4a	3	SCREW; 6-32 X .75, THREAD ROLLING SCREWS-ZINC PLATED, HEX WASHER
CNT07029	5	1	CONTROL; EEV BOARD ASSEMBLY
SCR01924	5a	4	SCREW; 6-32 X .75, THREAD ROLLING SCREWS-ZINC PLATED, HEX WASHER
SHD00386	6	2	SHIELD; MOISTURE, 12.75 X 5.00
PNL25790	7	1	PANEL, CONTROL PANEL BASE, 39.14 HEIGHT
SEN02352	8	1	SENSOR; ASSEMBLY, AMBIENT, 19 IN WIRE LENGTH, -40C TO 105C OP TEMP RANGE, 14 IN WIRE LENGTH, BLACK WIRES
SHD00387	9	2	SHIELD; MOISTURE, 10.25 X 4.00
RLY00969	10	1	RELAY; POWER DUTY, SWITCHING, DPDT, 6A AT 240V, 24V COIL
RLY00969	11	1	RELAY; POWER DUTY, SWITCHING, DPDT, 6A AT 240V, 24V COIL
CPT00266	12	1	CAPACITOR; RUN, 5 MFD, 370V, OVAL, W/O RESISTOR

Part No.	Reference No.	Quantity	Description
000022181~P	*		FAN PARTS LIST

FAN

75010673

REV
A

TYPICAL ILLUSTRATION



Part No.	Reference No.	Quantity	Description
COV03250	*	1	COVER; MOTOR, 6.86 DIA
FAN04321	1	1	FAN; 2 SWEPT BLADE, 27.5" DIA, 21 DEGREES PITCH, .50" BORE, CCW, ALUMINUM, 1 SET SCREW-STEEL
MOT17512	2	1	MOTOR; 1/8 HP, 460/60/1, 825 RPM, 48 FRAME, PSC, SLEEVE BEARINGS, CCW, 5 MFD CPT AT 370V
GRL01348	3	1	GRILLE; FAN, 29 IN DIA, SPIRAL WIRE, BASALT GREY
SCR02086	4	4	SCREW; 10-32 TR-3 HXW 3/8 S
GRD01416	5	1	GUARD, TROUGH-LEAD

Part No.	Reference No.	Quantity	Description
000006174~P	*		GENERAL ASSEMBLY GRAPHIC

SPLIT SYSTEM HEAT PUMP

75010773

REV.
A

TYPICAL ILLUSTRATION



Part No.	Reference No.	Quantity	Description
000006277~P	*		MODEL NUMBER GRAPHIC

MODEL NUMBER DESCRIPTION

75005586

REV
D

OUTDOOR UNITS

Example Model Number:

4 TWV 00 3 6 A 1 0 0 0 A A
1 - - - 5 - - - 10 - - - 15

Digit 1 – Refrigerant Type

2 = R-22
4 = R-410A

Digit 2 – Trane

Digit 3 – Product Type

W = Split Heat Pump
T = Split Cooling

Digit 4 – Product Family

V = Variable Speed
Z = Leadership - Two Stage
X = Leadership
R = Replacement/Retail
M or B = Basic
A = Light Commercial
L = Side Discharge

Digit 5 – Family SEER

3 = 13 7 = 17
4 = 14 9 = 19
5 = 15 9 = 19
6 = 16 0 = 20

Digits 6 – Split System Connections 1-6 Tons

0 = Brazed

Digits 7,8 – Nominal Capacity in 000s BTUs

Digit 9 – Major Design Modifications

Digit 10 – Power Supply

1 = 200-230/1/60 or 208-230/1/60
3 = 200-230/3/60
4 = 460/3/60

Digit 11,12,13 – Secondary Function

Digit 14 – Minor Design Modifications

Digit 15 – Unit Parts Identifier

Part No.	Reference No.	Quantity	Description
0000022183~P	*		OPTIONAL ACCESSORIES LIST

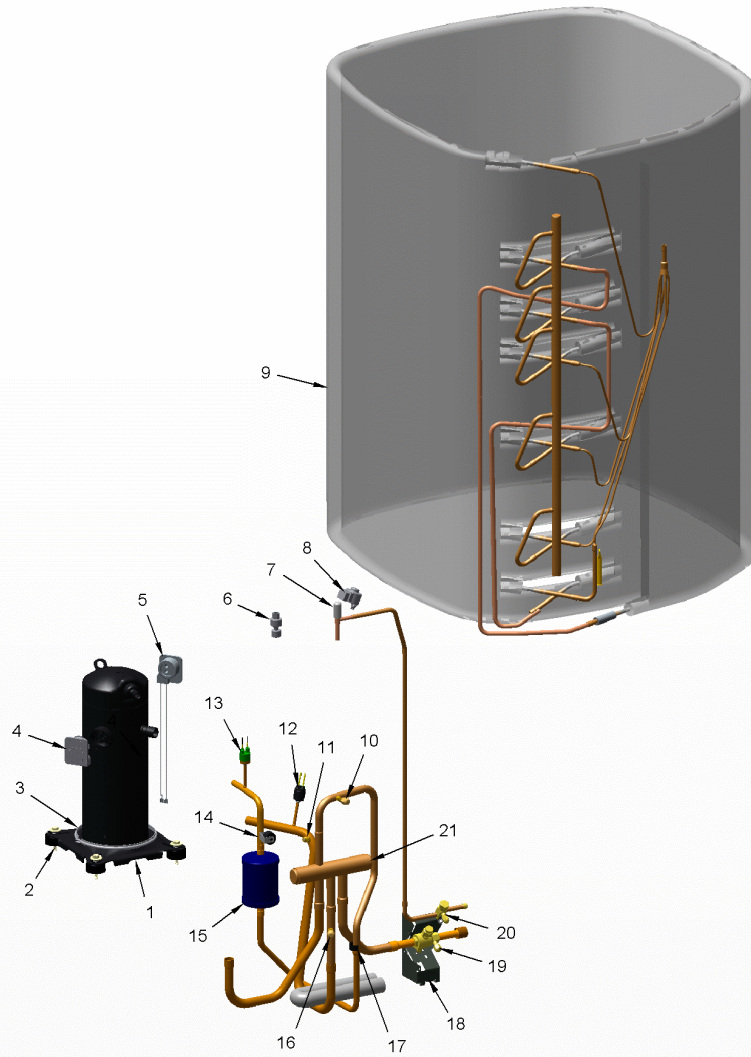
Part No.	Reference No.	Quantity	Description
AY28X084	*	1	KIT; LOW TEMPERATURE COOLING (AY28X084)
BAYAWGR0004	*	1	KIT; ALL WEATHER TOP (FITS BASE SIZES 37W X 34D)
BAYECMT004	*	1	KIT; EXTREME MOUNTING CONDITION (BAYECMT004)
BAYISLT101	*	1	KIT; ISOLATOR (BAYISLT101) (CONTAINS A QTY OF 5 ISOLATORS)
BAYLEGS004	*	1	KIT; SNOW LEGS, CONTAINS (4) 4" MOUNTING LEGS
BAYLEGS007	*	1	KIT; SNOW LEGS, CONTAINS (4) 7" MOUNTING LEGS
BAYLOAM107	*	1	LOW AMBIENT KIT
BAYSDEN003	*	1	KIT; SOUND ENCLOSURE, (BAYSDEN003), (MODELS WITH SMALL FRAME (QUANTUM) SCROLL COMPRESSORS NO LARGER THAN 16.4" TALL OR 6.6" IN DIAMETER EXCEPT IN CABI)
BAYSEAC001	*	1	KIT; SEA COAST (BAYSEAC001)
PAI00309	*	1	PAINT; DARK BROWN, 12 OZ SPRAY CAN, HERESITE AIR DRY PHENOLIC COATING, VR-554T
TAYASCT501A	*	1	KIT; TIME DELAY (TAYASCT501A) - 5 MINUTE RELAY ONLY IS RLY01343
TAYVSPANL0044A	*	1	PANEL; SERVICE PANEL (TAYVSPANL0044A)

Part No.	Reference No.	Quantity	Description
000022105~P	*		REFRIGERATION PARTS LIST

REFRIGERATION

75011428

REV.
A



This is a typical illustration. The unit in the field may not appear exactly as shown.

Part No.	Reference No.	Quantity	Description
DHY01452	*	1	DRIER; BI-FLOW; SERVICE FIRST; 16 CU. IN; DCB163S, 3/8 ODF CONNECTIONS; 5.7 TON CAPACITY; APPROVED FOR MINERAL OIL AND POE OIL REFRIGERANTS; MANUFACTU
SPC00386	*	1	SPACER; BASE, 5.50 X 1.00 X 0.50
SPC00512	*	4	SPACER; TUBING
SPC00513	*	6	SPACER; COIL
COM12025	1	1	COMPRESSOR; SCROLL, ALLIANCE, TXA030C4CTA, 2.5 TON, 460V/60/3, R-410A, 3/4 SUCTION, 1/2 DISCHARGE, STUB TUBE
ISR00007	2a	4	ISOLATOR; VIBRATION
SCR01914	2b	4	SCREW, ASSEMBLY COMPRESSOR, 5/16-12 TYPE B, W/WASHER & SLEEVE
HTR16586	3	1	HEATER; SUMP, BELLY BAND, 460V, 40W, 5.5 DIA, 70 IN LENGTH
PLU01289	4	1	PLUG; SCROLL COMPRESSOR
PLU01057	5	1	PLUG; COMPRESSOR SOLENOID, 2 LEADS, WHITE WIRES, 85 IN LENGTH
TDR00365	6	1	TRANSDUCER, FOUR PIN OUTDOOR PRESSURE SENSOR, SUCTION LINE
VAL11169	7	1	VALVE; EEV, 1.6 MM, FOR 3 TON
COL15628	8	1	COIL; MOTOR ASM-EEV, STATOR (SC)
COL30302	9	1	COIL; ASM-REPL PACKOUT
BOD00114	10a	1	BODY; VALVE, BRASS, 7/16 HEX, 7/16 -20 UNF-2A
COR00103	10b	1	CORE; VALVE, .79 LENGTH, .206-36 UNS-1 MOD. THD
BOD00114	11a	1	BODY; VALVE, BRASS, 7/16 HEX, 7/16 -20 UNF-2A
COR00103	11b	1	CORE; VALVE, .79 LENGTH, .206-36 UNS-1 MOD. THD
SWT04455	12	1	SWITCH; LOW PRESSURE BZ
SWT03273	13	1	SWITCH, HIGH PRESSURE, SPST, OPEN @ 650 PSIG, CLOSE @ 500 PSIG, 88° YELLOW LEAD
THT03183	14	1	THERMOSTAT; TERMINATOR, 240V, SPST, OPEN AT 105F, CLOSE AT 73F, PR/WH WIRES, 89 IN LENGTH
CLP00185	14a	1	CLIP; TDL
MFL00806	15	1	MUFFLER; 1/2 ODF CONNECTION (DRIER COULD BE PAINTED EITHER SMOKE GRAY OR NAVY BLUE)
CLP01101	15a	1	CLIP; TUBE, BLACK PLASTIC
COR00103	16	1	CORE; VALVE, .79 LENGTH, .206-36 UNS-1 MOD. THD
BOD00114	16a	1	BODY; VALVE, BRASS, 7/16 HEX, 7/16 -20 UNF-2A
SEN02930	17	1	SENSOR; SUCTION LINE
BRK03020	18	1	BRACKET; VALVE
VAL11186	19	1	VALVE; SERVICE GAS
CAP01337	19a	1	CAP; SERVICE SUCTION VALVE
VAL09302	20	1	VALVE, SERVICE LIQUID, .31 ODF X .38 ODF
CAP01336	20a	1	CAP; SERVICE LIQUID VALVE, BRASS, 0.75 OD X 0.57 ID X 11/16-28UN-2B
VAL08882	21	1	VALVE; SWITCHOVER, 4 TON (INCLUDES SOLENOID COIL)