

Part No.	Reference No.	Quantity	Description
4TVDUP1_4TVDUP1_180875~P	*		4TVDUP1 PARTS LIST
75011332#4TVDUP1~S	*		ACCESSORY BAG KITS
75011009#4TVDUP1~S	*		CABINET PARTS
75011011#4TVDUP1~S	*		COIL & DRAIN PAN
75011012#4TVDUP1~S	*		CONTROLS
75011010#4TVDUP1~S	*		FAN
75011014#4TVDUP1~S	*		MODEL NOMENCLATURE
75011013#4TVDUP1~S	*		RH CABINET SIDE & DRAIN PUMP

NO GRAPHIC AVAILABLE

75013702

REV
A

**NO
GRAPHIC
AVAILABLE**

MODEL NUMBER DESCRIPTION
Variant Refrigerant Flow Mid-Static Duct (MSP)

75011014

REV.
A

Example Model Number:

4 T V D 0 0 1 2 C 1 0 0 N A A
1 - - - - 5 - - - - 10 - - - - 15

Digit 1 – Refrigerant

4 = R-410a

Digit 2 – Brand Name

T = Trane

Digit 3 – System Type

V = Variable Refrigerant Flow

Digit 4 – Configuration Type

D = Mid-Static Duct (MSP)

Digit 5 – Reserved for Future Use

0 = Not Currently Used

Digit 6, 7, 8 – Nominal Capacity (Btu/h x 1,000)

007 = 7,500 Btu/h

009 = 9,500 Btu/h

012 = 12,000 Btu/h

015 = 15,000 Btu/h

018 = 18,000 Btu/h

024 = 24,000 Btu/h

027 = 27,000 Btu/h

030 = 30,000 Btu/h

036 = 36,000 Btu/h

048 = 48,000 Btu/h

Digit 9 – Major Development Sequence

C = Third Development Sequence

Digit 10 – Electric Power Supply Characteristics

1 = 208-230/3 ϕ

Digit 11, 12 – Reserved for Future Use

0 = Not Currently Used

Digit 13 – Region of Sale

N = North America (UL or ETL)

Digit 14 – Minor Design Sequence

A = First Design Sequence

Digit 15 – Service Digit (Not Used for Ordering)

A = First Sequence

Part No.	Reference No.	Quantity	Description
75011014_4TVDUP1_180882~P	*		MODEL NOMENCLATURE PARTS LIST

MODEL NUMBER DESCRIPTION
Variant Refrigerant Flow Mid-Static Duct (MSP)

75011014

REV.
A

Example Model Number:

4 T V D 0 0 1 2 C 1 0 0 N A A
1 - - - 5 - - - 10 - - - 15

Digit 1 – Refrigerant

4 = R-410a

Digit 2 – Brand Name

T = Trane

Digit 3 – System Type

V = Variable Refrigerant Flow

Digit 4 – Configuration Type

D = Mid-Static Duct (MSP)

Digit 5 – Reserved for Future Use

0 = Not Currently Used

Digit 6, 7, 8 – Nominal Capacity (Btu/h x 1,000)

007 = 7,500 Btu/h

009 = 9,500 Btu/h

012 = 12,000 Btu/h

015 = 15,000 Btu/h

018 = 18,000 Btu/h

024 = 24,000 Btu/h

027 = 27,000 Btu/h

030 = 30,000 Btu/h

036 = 36,000 Btu/h

048 = 48,000 Btu/h

Digit 9 – Major Development Sequence

C = Third Development Sequence

Digit 10 – Electric Power Supply Characteristics

1 = 208-230/3 ϕ

Digit 11, 12 – Reserved for Future Use

0 = Not Currently Used

Digit 13 – Region of Sale

N = North America (UL or ETL)

Digit 14 – Minor Design Sequence

A = First Design Sequence

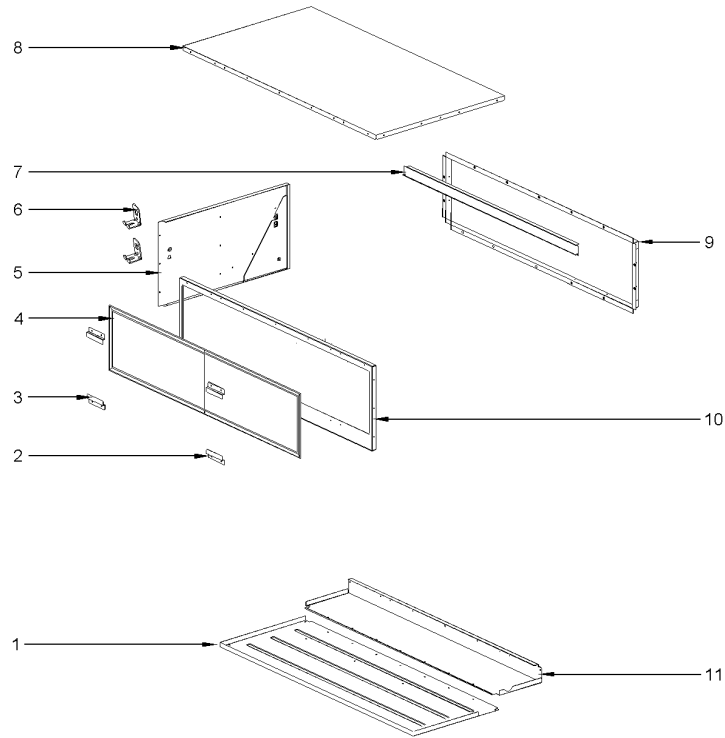
Digit 15 – Service Digit (Not Used for Ordering)

A = First Sequence

CABINET PARTS
024, 027, 030, 036 & 048 UNITS

75011009

REV.
A



This is a typical illustration. The unit in the field may not appear exactly as shown.

CABINET PARTS

Parts List Number :4TVDUP1#4TVDUP1

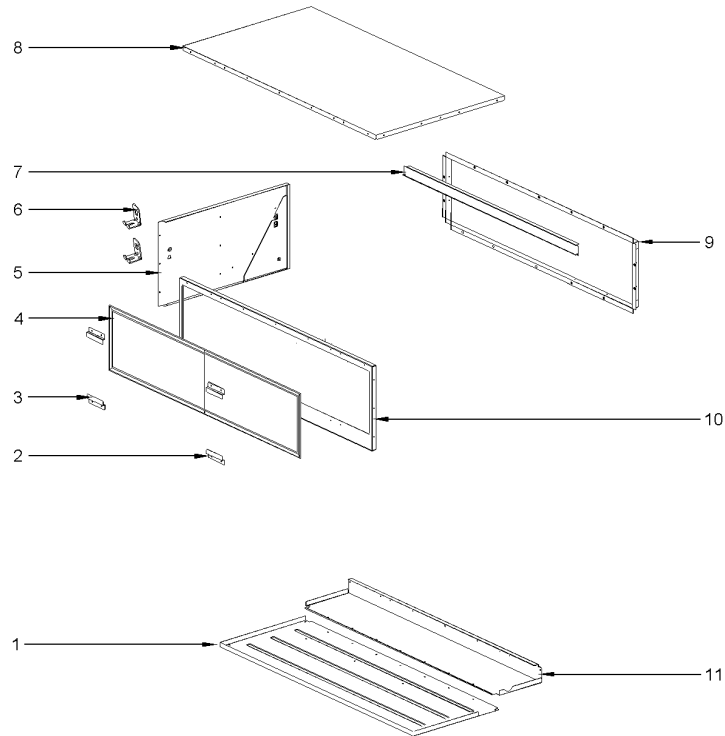
Model Number :4TVD0048C100NDA

Part No.	Reference No.	Quantity	Description
75011009_4TVDUP1_214952~P	*		CABINET PARTS PARTS LIST

CABINET PARTS
024, 027, 030, 036 & 048 UNITS

75011009

REV.
A



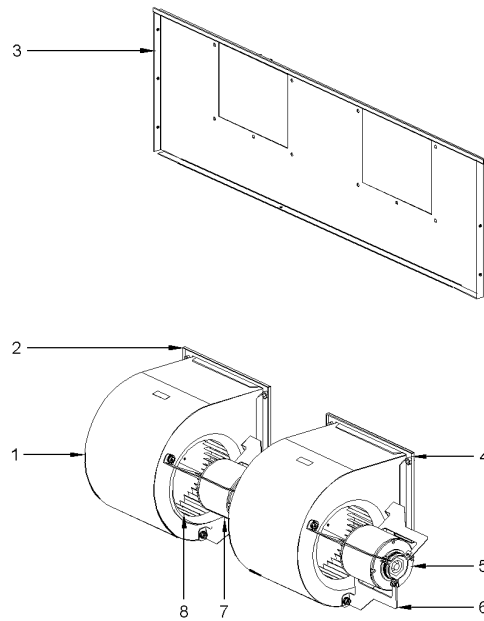
This is a typical illustration. The unit in the field may not appear exactly as shown.

Part No.	Reference No.	Quantity	Description
PNL32744	1	1	PANEL; CABINET, BASE ASSEMBLY CONDENSATE SECTION
BRK04615	2	2	BRACKET; FILTER
BRK04615	3	2	BRACKET; FILTER
FLR07751	4	1	FILTER; AIR WASHABLE FILTER
PNL32751	5	1	PANEL; LEFT HAND CABINET PANEL WITH BRACKETS, OPPOSITE SIDE OF CONTROL PANEL IF BRACKETS ARE NEEDED ORDER HLD00643
HLD00643	6	2	HOLDER; SIDE CABI
PLT05746	7	1	PLATE; ASSY PLATE / INTERNAL TO UNIT
PNL32750	8	1	PANEL; CABINET TOP
BRK04614	9	1	BRACKET; ASSY BRACKET-INLET
CBT01843	10	1	CABINIT; ASSY CABI FRONT
PNL32820	11	1	PANEL; ASSY CABI BOTTOM

FAN SECTION
024, 027, 030, 036 & 048 UNITS

75011010

REV.
A



This is a typical illustration. The unit in the field may not appear exactly as shown.

Parts List Number :4TVDUP1#4TVDUP1

Model Number :4TVD0048C100NDA

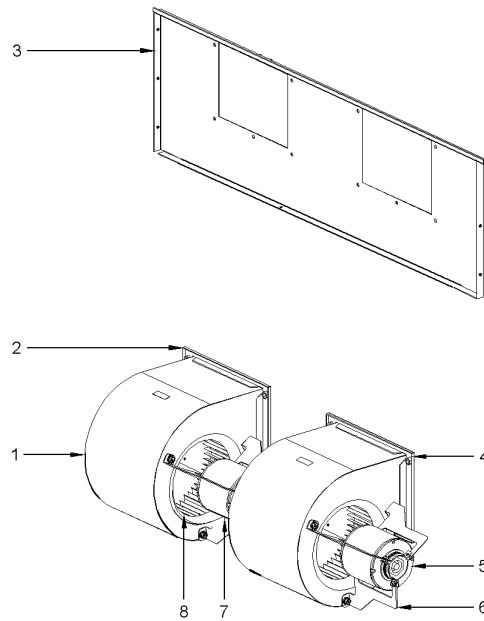
Part No.	Reference No.	Quantity	Description
75011010_4TVDUP1_214953~P	*		FAN PARTS LIST

FAN SECTION

75011010

REV.
A

024, 027, 030, 036 & 048 UNITS



This is a typical illustration. The unit in the field may not appear exactly as shown.

Parts List Number :4TVDUP1#4TVDUP1

Model Number :4TVD0048C100NDA

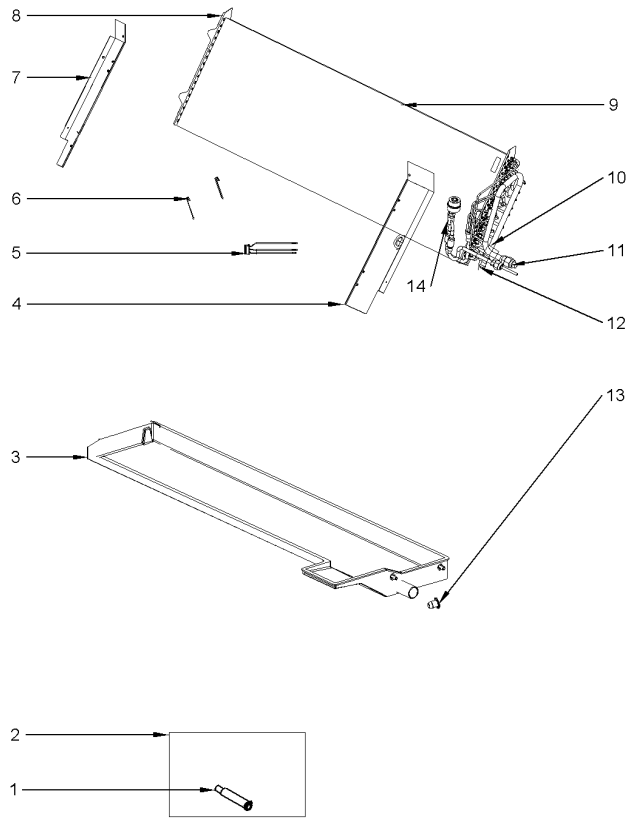
Part No.	Reference No.	Quantity	Description
FAN05515	1	2	FAN; BLOWER SQUIRREL CAGE HOUSING
MOT16319	2	1	MOTOR; ASSY, BLOWER, NS140HHXEB/XSA, SSEC
PNL32700	3	1	PANEL; ASSY PARTITION
MOT16320	4	1	MOTOR; ASSY, BLOWER, NS140HHXEB/XSA, SSEC
MOT17172	5	1	MOTOR; FAN WITH SHAFT, 3 PH, 1450 RPM, DC310V, 183W(0.245HP)
BRK04620	6	6	BRACKET; FAN MOTOR
MOT17171	7	1	MOTOR; FAN WITH SHAFT, 3 PH, 1450 RPM, DC310V, 183W(0.245HP)
FAN05514	8	2	FAN; BLOWER ASSEMBLY

COIL & DRAIN PAN SECTION

75011011

REV
A

024, 027, 030, 036 & 048 UNITS



This is a typical illustration. The unit in the field may not appear exactly as shown.

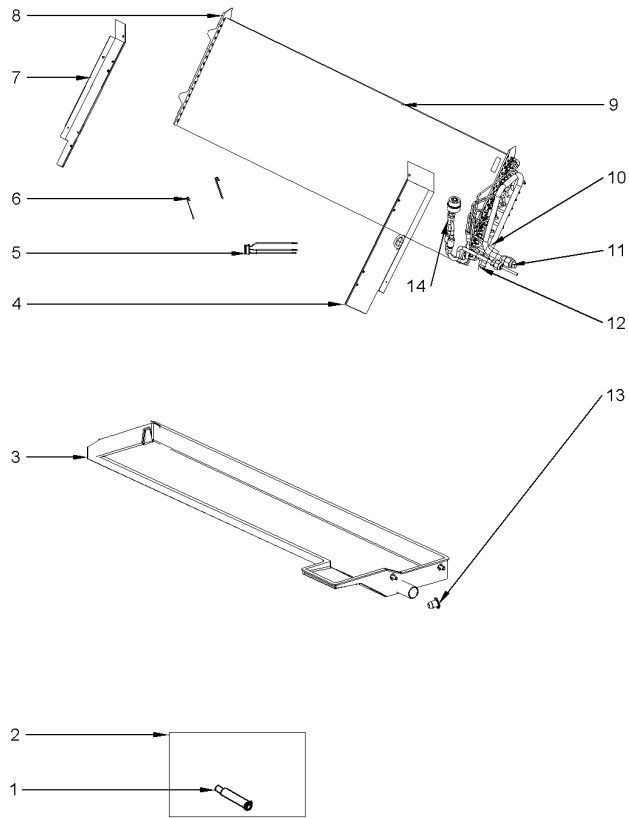
Part No.	Reference No.	Quantity	Description
75011011_4TVDUP1_249223~P	*		COIL & DRAIN PAN PARTS LIST

COIL & DRAIN PAN SECTION

75011011

REV.
A

024, 027, 030, 036 & 048 UNITS



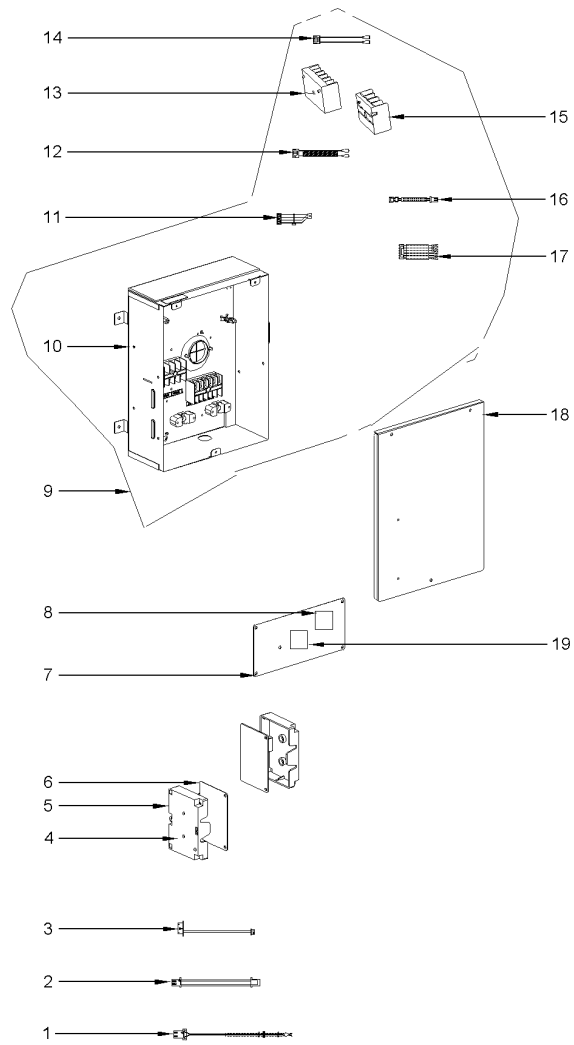
This is a typical illustration. The unit in the field may not appear exactly as shown.

Part No.	Reference No.	Quantity	Description
TUB13599	1	1	TUBE; DRAIN ADAPTER WITH PIPE INSULATION
KIT16603	2	1	ADAPTER; DRAIN PAN ADAPTER, CONDENSATE DRAIN
PAN03908	3	1	PAN; DRAIN WITH RUBBER PLUG (PLUG NOT AVAILABLE SEPARATELY)
SEN02428	5	1	SENSOR; TEMP
SPG01139	6	2	SPRING; THERMISTOR CLIP, ETC-SENSOR, DVM-SYSTEM,STS304,R2.5
BRK04613	7	1	BRACKET; EVAP-LEFT
COL25754	8	1	COIL; EVAPORATOR ASSEMBLY IF THIS FAILS CUSTOMER TO REPLACE THE UNIT
COL25757	9	1	COIL; EVAP ASSEMBLY
SEL01277	10	1	SEAL; ASSY SEAL-PIPE COVER/ PART ON COIL PIPING ASSEMBLY
NUT01313	11	1	NUT; ETC
SEL01276	12	1	SEAL; ASSY SEAL-PIPE COVER
CAP01314	13	1	CAP; DRAIN PAN CAP-RUBBER
VAL12078	14	1	VALVE; EXPANSION GEAR VALVE

CONTROLS SECTION
024, 027, 030, 036 & 048 UNITS

75011012

REV.
A



This is a typical illustration. The unit in the field may not appear exactly as shown.

CONTROLS

Parts List Number :4TVDUP1#4TVDUP1

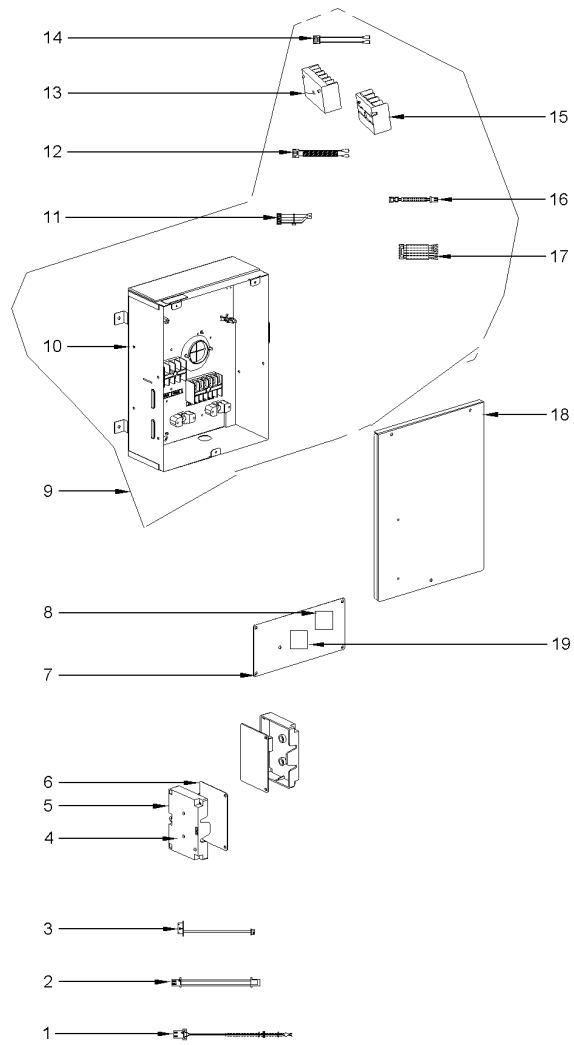
Model Number :4TVD0048C100NDA

Part No.	Reference No.	Quantity	Description
75011012_4TVDUP1_214955~P	*		CONTROLS PARTS LIST

CONTROLS SECTION
024, 027, 030, 036 & 048 UNITS

75011012

REV.
A



This is a typical illustration. The unit in the field may not appear exactly as shown.

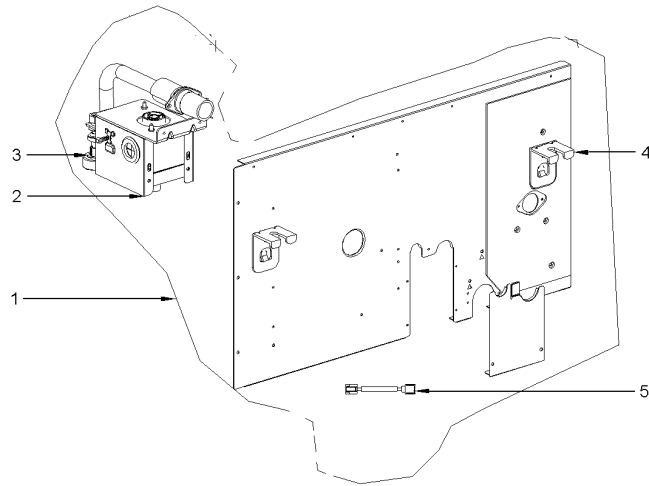
Part No.	Reference No.	Quantity	Description
SEN02165	1	1	THERMISTOR; RETURN AIR
WIR08031	2	1	WIRE HARNESS; FAN
WIR08029	3	1	WIRE HARNESS; CONNECTOR FOR THERMAL FUSE
CNT07523	4	2	CONTROL; ASSY CONTROL IN-BLDC
BOX02795	5	2	NO DESCRIPTION AVAILABLE
COV04985	6	2	COVER; SUB CONTROL BOX
BRD04825	7	1	BOARD; PCB MAIN ASSY, MAIN, AM280FNHDEH/EU, 190*90
CNT07011	8	1	BOARD; SUB PCB BOARD
CNT07524	9	1	CONTROL; ASSY CONTROL IN
BOX02796	10	1	CONTROL BOX; BACK ENCLOSURE
WIR08032	11	1	WIRE HARNESS; POWER FROM MAIN TO PCB BOARD TO TERMINAL BLOCK
WIR08030	12	1	WIRE HARNESS; POWER FROM MAIN TO PCB BOARD TO TERMINAL BLOCK
BLK01463	13	1	TERMINAL BLOCK; COMMUNICATION AND WIRED REMOTE CONTROL
WIR08028	14	1	WIRE HARNESS; HOT WATER COIL (FROM MAIN PCB BOARD TO TERMINAL BLOCK)
BLK01426	15	1	TERMINAL BLOCK; HIGH VOLTAGE, MAIN POWER, WITH THERMAL FUSE, THERMAL FUSE NOT AVAILABLE SEPARATELY
WIR08034	16	1	WIRE HARNESS; CONNECTOR FOR THERMAL FUSE
WIR08035	17	1	WIRE HARNESS; COMM AND REMOTE CONTROL FROM MAIN PCB TO TERMINAL BLOCK
COV04984	18	1	COVER; CONTROL BOX
BRD04834	19	1	BOARD; EEPROM BOARD ASSEMBLY WITH EEPROM CHIP

RH CABINET SIDE & DRAIN PUMP

75011013

REV.
A

024, 027, 030, 036 & 048 UNITS



This is a typical illustration. The unit in the field may not appear exactly as shown.

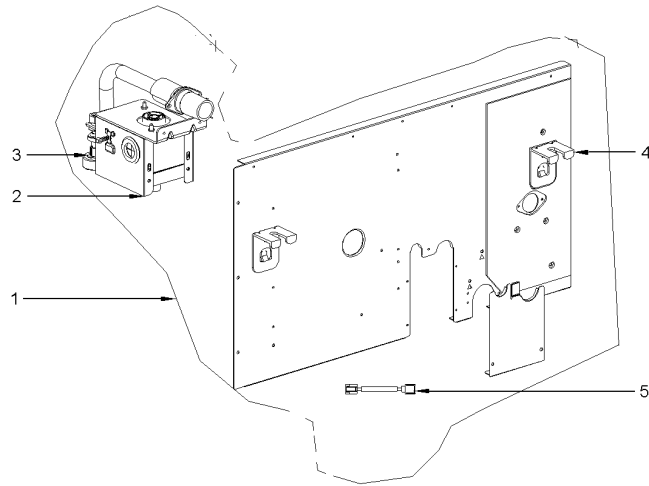
Part No.	Reference No.	Quantity	Description
75011013_4TVDUP1_214956~P	*		RH CABINET SIDE & DRAIN PUMP PARTS LIST

RH CABINET SIDE & DRAIN PUMP

75011013

REV.
A

024, 027, 030, 036 & 048 UNITS



This is a typical illustration. The unit in the field may not appear exactly as shown.

Parts List Number :4TVDUP1#4TVDUP1

Model Number :4TVD0048C100NDA

Part No.	Reference No.	Quantity	Description
PNL32752	1	1	PANEL; ASSEMBLY END, CONTROL BOX SIDE, DRAIN PUMP AND FLOAT SWITCH AND BRACKETS, IF BRACKET IS NEEDED ORDER HLD00643
PMP02213	2	1	PUMP; DRAIN
SWT03942	3	1	SWITCH ; FLOAT
HLD00643	4	2	HOLDER; SIDE CABI
WIR08038	5	1	NO DESCRIPTION AVAILABLE

ACCESSORIES

75011332

REV.
A

BAG KITS

Accessory Bag Kits Contain:

1. Drain Adapter.
2. Rubber Washers.
3. Insulation Wraps.
4. Plastic Ties.

All orderable Service Parts are identified for this product.

Parts that are not identified, will not be available to order.

This is a typical illustration. The unit in the field may not appear exactly as shown.

Part No.	Reference No.	Quantity	Description
75011332_4TVDUP1_180883~P	*		ACCESSORY BAG KITS PARTS LIST

ACCESSORIES

75011332

REV.
A

BAG KITS

Accessory Bag Kits Contain:

1. Drain Adapter.
2. Rubber Washers.
3. Insulation Wraps.
4. Plastic Ties.

All orderable Service Parts are identified for this product.

Parts that are not identified, will not be available to order.

This is a typical illustration. The unit in the field may not appear exactly as shown.

Part No.	Reference No.	Quantity	Description
KIT17949	*	1	KIT; ACCESSORY BAG