

Part No.	Reference No.	Quantity	Description
4TVEUP1_4TVEUP1_179538~P	*		4TVEUP1 PARTS LIST
75011332#4TVEUP1~S	*		ACCESSORY BAG KITS
75010160#4TVEUP1~S	*		GENERAL ASSEMBLY MSP DUCT (MID PRESSURE) UNITS
75010050#4TVEUP1~S	*		MODEL NOMENCLATURE VRF INDOOR UNITS
75013030#4TVEUP1~S	*		SPECIAL NOTE FOR COVER MODELS

NO GRAPHIC AVAILABLE

75013702

REV
A

**NO
GRAPHIC
AVAILABLE**

MODEL NOMENCLATURE

75010050

REV
B

VRF Indoor Unit

Model Number Example

4 T V D 0 0 1 8 B 1 0 0 N A
1 2 3 4 5 6 7 8 9 10 11 12 13 14

Digit 1 = Refrigerant
4 = R-410a

Digit 2 = Brand Name
T = Trane

Digit 3 = System Type
V = Variable Refrigerant Flow

Digit 4 = Configuration Type
B = Mini 4-Way Cassette
C = 4-Way Cassette
D = MSP Duct Type (Mid Pressure)
E = 1-Way Cassette
L = Slim Duct Type (Low Pressure)
A = HSP Duct Type (High Pressure)
X = Ceiling
W = High Wall

Digit 5 = Reserved for Future Use
0 = Not Currently Used

Digit 6,7,8 = Nominal Capacity
(Btu/h x 1,000)

005 = 5,000 Btu/h
006 = 6,000 Btu/h
007 = 7,000 Btu/h
009 = 9,000 Btu/h
012 = 12,000 Btu/h
018 = 18,000 Btu/h
020 = 20,000 Btu/h
024 = 24,000 Btu/h
030 = 30,000 Btu/h
036 = 36,000 Btu/h
048 = 48,000 Btu/h

Digit 9 = Major Development Sequence
B = Second Development Sequence

Digit 10 = Electric Power Supply Characteristics
1 = 208-230/60/1

Digit 11, 12 = Reserved for Future Use
00 = Not Currently Used

Digit 13 = Region of Sale
N = North America (UL or ETL)

Digit 14 = Minor Design Sequence
B = Second Design Sequence

Parts List Number :4TVEUP1#4TVEUP1

Model Number :4TVD0036B100NB

Part No.	Reference No.	Quantity	Description
75010050_4TVEUP1_180302~P	*		MODEL NOMENCLATURE VRF INDOOR UNITS PARTS LIST

<p>MODEL NOMENCLATURE</p> <p>VRF Indoor Unit</p>	<p>75010050</p> <div style="border: 1px solid black; padding: 2px; display: inline-block;">REV B</div>
<p>Model Number Example</p> <p>4 T V D 0 0 1 8 B 1 0 0 N A</p> <p>1 2 3 4 5 6 7 8 9 10 11 12 13 14</p>	
<p>Digit 1 = Refrigerant 4 = R-410a</p>	<p>Digit 10 = Electric Power Supply Characteristics 1 = 208-230/60/1</p>
<p>Digit 2 = Brand Name T = Trane</p>	<p>Digit 11, 12 = Reserved for Future Use 00 = Not Currently Used</p>
<p>Digit 3 = System Type V = Variable Refrigerant Flow</p>	<p>Digit 13 = Region of Sale N = North America (UL or ETL)</p>
<p>Digit 4 = Configuration Type B = Mini 4-Way Cassette C = 4-Way Cassette D = MSP Duct Type (Mid Pressure) E = 1-Way Cassette L = Slim Duct Type (Low Pressure) A = HSP Duct Type (High Pressure) X = Ceiling W = High Wall</p>	<p>Digit 14 = Minor Design Sequence B = Second Design Sequence</p>
<p>Digit 5 = Reserved for Future Use 0 = Not Currently Used</p>	
<p>Digit 6,7,8 = Nominal Capacity (Btu/h x 1,000)</p> <p>005 = 5,000 Btu/h 006 = 6,000 Btu/h 007 = 7,000 Btu/h 009 = 9,000 Btu/h 012 = 12,000 Btu/h 018 = 18,000 Btu/h 020 = 20,000 Btu/h 024 = 24,000 Btu/h 030 = 30,000 Btu/h 036 = 36,000 Btu/h 048 = 48,000 Btu/h</p>	
<p>Digit 9 = Major Development Sequence B = Second Development Sequence</p>	

COVER MODELS

75013030

REV. A

EXAMPLES SHOWN BELOW

Below are some examples of 4TVB (Mini 4-Way Cassette), & 4TVC (4-Way Cassette) units which are the body (the model numbers that start with 4TVB, 4TVC etc), and their are also Cover units (cover model numbers examples are shown below) that are used with the body units. When certain parts; like filters, are not found in CATS for the 4TVB & 4TVC models (and similar), remember to put the Cover model number into CATS for those part numbers. Also remember to look at the literature found in Parts & Supply for these models for further details.



4TVB00



TVEPANPC4

Table DU-12-B ? R-410A VRF Mini Four-Way Cassette

Indoor Model Number	Power Supply (Volts/Phase/Hz)	Nom Cap. Cooling (BTUH)	Unrated Dimensions (in) W D H (lbs)	Shipping Weight Level	Sound Pressure 2	Max. Fuse	Line Size (in) OD OD
4TVB0005B100NC	208-230/1/60	5,000	22.8 22.8 9.8	30.9	26-34 0.22 15		1/2 1/4
4TVB0007B100NC	208-230/1/60	7,500	22.8 22.8 9.8	30.9	26-34 0.22 15		1/2 1/4
4TVB0009B100NC	208-230/1/60	9,500	22.8 22.8 9.8	30.9	26-34 0.22 15		1/2 1/4
4TVB0012B100NC	208-230/1/60	12,000	22.8 22.8 9.8	30.9	31-36 0.24 15		1/2 1/4
4TVB0018B100NC	208-230/1/60	18,000	22.8 22.8 9.8	30.9	34-40 0.34 15		1/2 1/4
4TVB0020B100NC	208-230/1/60	20,000	22.8 22.8 9.8	30.9	35-41 0.38 15		1/2 1/4

Cassette Cover Panels

Model Number	Description	Matches Cassette	HP Model(s)
PNL4WAYMINI23A	Cover Panel 23.3 x 23.3 x 1.97	4TVB0005B	4TVB0020B



4TVC00



TVEPANPC4

Table DU-12-C ? R-410A VRF Four-Way Cassette

Indoor Model Number	Power Supply (Volts/Phase/Hz)	Nom Cap. Cooling (BTUH)	Unrated Dimensions (in) W D H (lbs)	Shipping Weight Level	Sound Pressure 2	Max. Fuse (A)	Line Size (in) OD OD LG
4TVC0009B100ND	208-230/1/60	9,000	33 33 8 40.8	31-34	0.32 15		1/2 1/4
4TVC0012B100ND	208-230/1/60	12,000	33 33 8 40.8	31-34	0.32 15		1/2 1/4
4TVC0018B100ND	208-230/1/60	18,000	33 33 8 40.8	31-34	0.32 15		1/2 1/4
4TVC0024B100ND	208-230/1/60	24,000	33 33 8 40.8	34-36	0.38 15		1/2 1/4
4TVC0030B100ND	208-230/1/60	30,000	33 33 11.3 50.7	30-39	0.63 15		5/8 3/8
4TVC0036B100ND	208-230/1/60	36,000	33 33 11.3 50.7	33-40	0.70 15		5/8 3/8
4TVC0048B100ND	208-230/1/60	48,000	33 33 11.3 50.7	39-44	0.94 15		5/8 3/8

Cassette Cover Panels

Model Number	Description	Matches Cassette	HP Model(s)
TVEPANPC4NUSET	Cover Panel 37.4 x 37.4 x 1.8	4TVC009B, 0018B, 0024B, 0030B, 00036B & 0048B	

All orderable Service Parts are identified for this product.

Parts that are not identified, will not be available to order.

This is a typical illustration. The unit in the field may not appear exactly as shown.

Part No.	Reference No.	Quantity	Description
75013030_4TVEUP1_179543~P	*		SPECIAL NOTE FOR COVER MODELS PARTS LIST

COVER MODELS
 EXAMPLES SHOWN BELOW

75013030

REV. A

Below are some examples of 4TVB (Mini 4-Way Cassette), & 4TVC (4-Way Cassette) units which are the body (the model numbers that start with 4TVB, 4TVC etc), and their are also Cover units (cover model numbers examples are shown below) that are used with the body units. When certain parts; like filters, are not found in CATS for the 4TVB & 4TVC models (and similar), remember to put the Cover model number into CATS for those part numbers. Also remember to look at the literature found in Parts & Supply for these models for further details.



4TVB00



TVEPANPC4

Table DU-12-B ? R-410A VRF Mini Four-Way Cassette

Indoor Model Number	Power Supply (Volts/Phase/Hz)	Nom Cap. Cooling (BTUH)	Unrated Dimensions (in) W D H	Shipping Weight Level (lbs)	Sound Pressure 2	Max. Fuse	Line Size (in) OD OD
4TVB0005B100NC	208-230/1/60	5,000	22.8 22.8 9.8	30.9	26-34 0.22 15		1/2 1/4
4TVB0007B100NC	208-230/1/60	7,500	22.8 22.8 9.8	30.9	26-34 0.22 15		1/2 1/4
4TVB0009B100NC	208-230/1/60	9,500	22.8 22.8 9.8	30.9	26-34 0.22 15		1/2 1/4
4TVB0012B100NC	208-230/1/60	12,000	22.8 22.8 9.8	30.9	31-36 0.24 15		1/2 1/4
4TVB0018B100NC	208-230/1/60	18,000	22.8 22.8 9.8	30.9	34-40 0.34 15		1/2 1/4
4TVB0020B100NC	208-230/1/60	20,000	22.8 22.8 9.8	30.9	35-41 0.38 15		1/2 1/4

Cassette Cover Panels

Model Number	Description	Matches Cassette	HP Model(s)
PNL4WAYMINI23A	Cover Panel 23.3 x 23.3 x 1.97	4TVB0005B	4TVB0020B



4TVC00



TVEPANPC4

Table DU-12-C ? R-410A VRF Four-Way Cassette

Indoor Model Number	Power Supply (Volts/Phase/Hz)	Nom Cap. Cooling (BTUH)	Unrated Dimensions (in) W D H	Shipping Weight Level (lbs)	Sound Pressure 2	Max. Fuse (A)	Line Size (in) OD OD LG
4TVC0009B100ND	208-230/1/60	9,000	33 33 8	40.8	31-34 0.32 15		1/2 1/4
4TVC0012B100ND	208-230/1/60	12,000	33 33 8	40.8	31-34 0.32 15		1/2 1/4
4TVC0018B100ND	208-230/1/60	18,000	33 33 8	40.8	31-34 0.32 15		1/2 1/4
4TVC0024B100ND	208-230/1/60	24,000	33 33 8	40.8	34-36 0.38 15		1/2 1/4
4TVC0030B100ND	208-230/1/60	30,000	33 33 11.3	50.7	30-39 0.63 15		5/8 3/8
4TVC0036B100ND	208-230/1/60	36,000	33 33 11.3	50.7	33-40 0.70 15		5/8 3/8
4TVC0048B100ND	208-230/1/60	48,000	33 33 11.3	50.7	39-44 0.94 15		5/8 3/8

Cassette Cover Panels

Model Number	Description	Matches Cassette	HP Model(s)
TVEPANPC4NUSET	Cover Panel 37.4 x 37.4 x 1.8	4TVC009B, 0018B, 0024B, 0030B, 00036B & 0048B	

All orderable Service Parts are identified for this product.

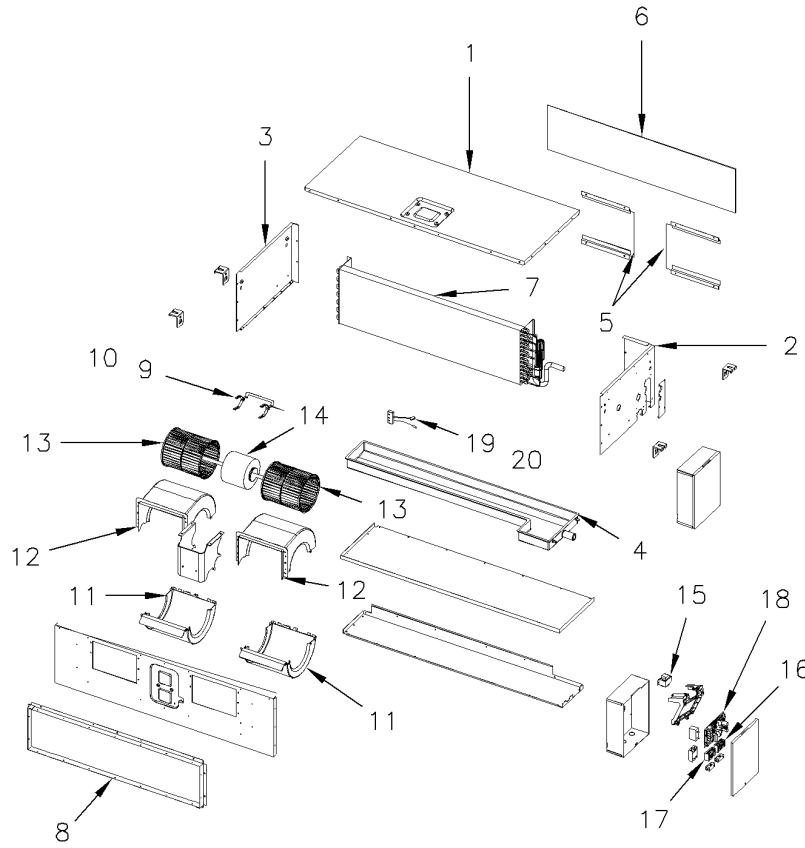
Parts that are not identified, will not be available to order.

This is a typical illustration. The unit in the field may not appear exactly as shown.

GENERAL ASSEMBLY
INDOOR MSP DUCT I

75010160

REV
A



TYPICAL ILLUSTRATION
* NOT ILLUSTRATED

Parts List Number :4TVEUP1#4TVEUP1

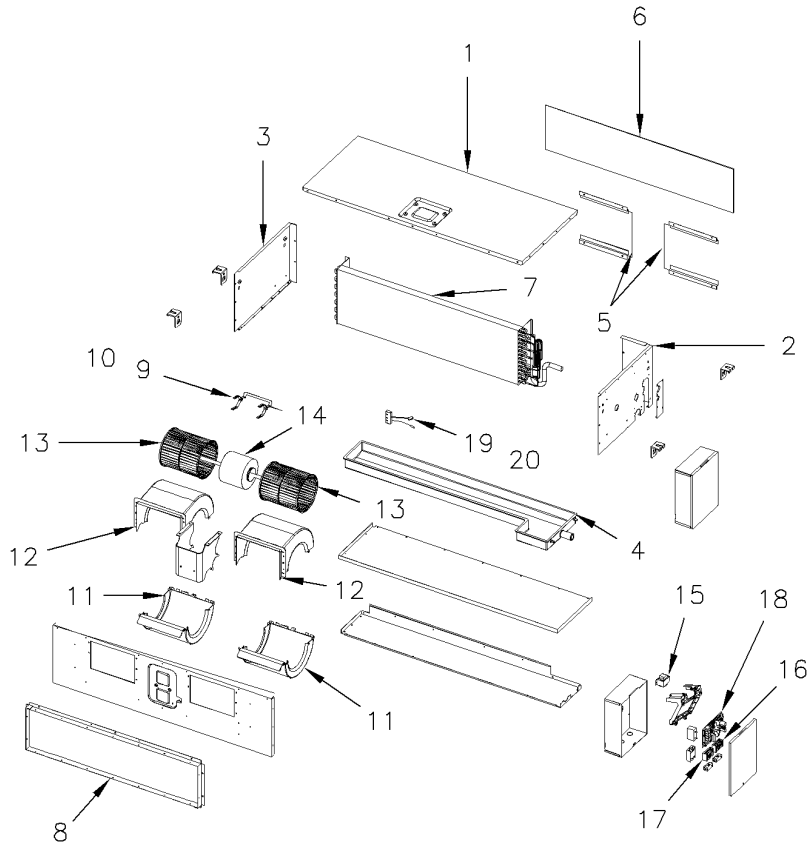
Model Number :4TVD0036B100NB

Part No.	Reference No.	Quantity	Description
75010160_4TVEUP1_180303~P	*		GENERAL ASSEMBLY MSP DUCT (MID PRESSURE)

GENERAL ASSEMBLY
INDOOR MSP DUCT I

75010160

REV
A



TYPICAL ILLUSTRATION
* NOT ILLUSTRATED

Parts List Number :4TVEUP1#4TVEUP1

Model Number :4TVD0036B100NB

Part No.	Reference No.	Quantity	Description
VAL12078	*	1	VALVE; EXPANSION GEAR VALVE
PNL29715	2	1	PANEL; CABINET, ASSY, SIDE RH, MA1, SSEC
PNL29716	3	1	PANEL; CABINET, ASSY, SIDE LF, MA1, SSEC
PAN03393	4	1	PAN; DRAIN ASSY, DH42BTA, SSEC
FLR07752	6	1	FILTER; AIR WASHABLE FILTER
COL19902	7	1	COIL; ASSY EVAP, AM110FNMDBH1, SSEC
PNL29714	8	1	PANEL; CABINET, ASSY FRONT, MA1, SSEC
HUS04108	11	1	HOUSING; BLOWER-UPPER, SLIM 3ANDMA 1, HIPS, T2.0,
WHL03160	13	2	WHEEL; BLOWER, EH140EZMC, ABS+GF20 PRECENT, OD175
MOT15365	14	1	MOTOR; CIRCUIT, YSK140-200-4A, MA I, -, 60HZ,
BRD04825	18	1	BOARD; PCB MAIN ASSY, MAIN, AM280FNHDEH/EU, 190*90
SEN02172	19	1	SENSOR; ASSY THERMISTOR IN, DVM NASA MSP DUCT, 103
SEN02166	20	1	SENSOR; ASSY THEMISTOR, DVM NASA MSP DUCT, 103AT

ACCESSORIES

75011332

REV.
A

BAG KITS

Accessory Bag Kits Contain:

1. Drain Adapter.
2. Rubber Washers.
3. Insulation Wraps.
4. Plastic Ties.

All orderable Service Parts are identified for this product.

Parts that are not identified, will not be available to order.

This is a typical illustration. The unit in the field may not appear exactly as shown.

Part No.	Reference No.	Quantity	Description
75011332_4TVEUP1_180304~P	*		ACCESSORY BAG KITS PARTS LIST

ACCESSORIES

75011332

REV.
A

BAG KITS

Accessory Bag Kits Contain:

1. Drain Adapter.
2. Rubber Washers.
3. Insulation Wraps.
4. Plastic Ties.

All orderable Service Parts are identified for this product.

Parts that are not identified, will not be available to order.

This is a typical illustration. The unit in the field may not appear exactly as shown.

Part No.	Reference No.	Quantity	Description
KIT17949	*	1	KIT; ACCESSORY BAG