

<b>Part No.</b>	<b>Reference No.</b>	<b>Quantity</b>	<b>Description</b>
4TVDUP1_4TVDUP1_180875~P	*		4TVDUP1 PARTS LIST
75011332#4TVDUP1~S	*		ACCESSORY BAG KITS
75011004#4TVDUP1~S	*		CABINET PARTS
75011006#4TVDUP1~S	*		COIL & DRAIN PAN
75011007#4TVDUP1~S	*		CONTROLS
75011005#4TVDUP1~S	*		FAN
75011014#4TVDUP1~S	*		MODEL NOMENCLATURE
75011008#4TVDUP1~S	*		RH CABINET SIDE & DRAIN PUMP

NO GRAPHIC AVAILABLE

75013702

REV  
A

**NO  
GRAPHIC  
AVAILABLE**

MODEL NUMBER DESCRIPTION  
Variant Refrigerant Flow Mid-Static Duct (MSP)

75011014

REV.  
A

*Example Model Number:*

**4 T V D 0 0 1 2 C 1 0 0 N A A**  
1 - - - 5 - - - 10 - - - 15

**Digit 1 – Refrigerant**

4 = R-410a

**Digit 2 – Brand Name**

T = Trane

**Digit 3 – System Type**

V = Variable Refrigerant Flow

**Digit 4 – Configuration Type**

D = Mid-Static Duct (MSP)

**Digit 5 – Reserved for Future Use**

0 = Not Currently Used

**Digit 6, 7, 8 – Nominal Capacity (Btu/h x 1,000)**

007 = 7,500 Btu/h

009 = 9,500 Btu/h

012 = 12,000 Btu/h

015 = 15,000 Btu/h

018 = 18,000 Btu/h

024 = 24,000 Btu/h

027 = 27,000 Btu/h

030 = 30,000 Btu/h

036 = 36,000 Btu/h

048 = 48,000 Btu/h

**Digit 9 – Major Development Sequence**

C = Third Development Sequence

**Digit 10 – Electric Power Supply Characteristics**

1 = 208-230/3 $\phi$

**Digit 11, 12 – Reserved for Future Use**

0 = Not Currently Used

**Digit 13 – Region of Sale**

N = North America (UL or ETL)

**Digit 14 – Minor Design Sequence**

A = First Design Sequence

**Digit 15 – Service Digit (Not Used for Ordering)**

A = First Sequence

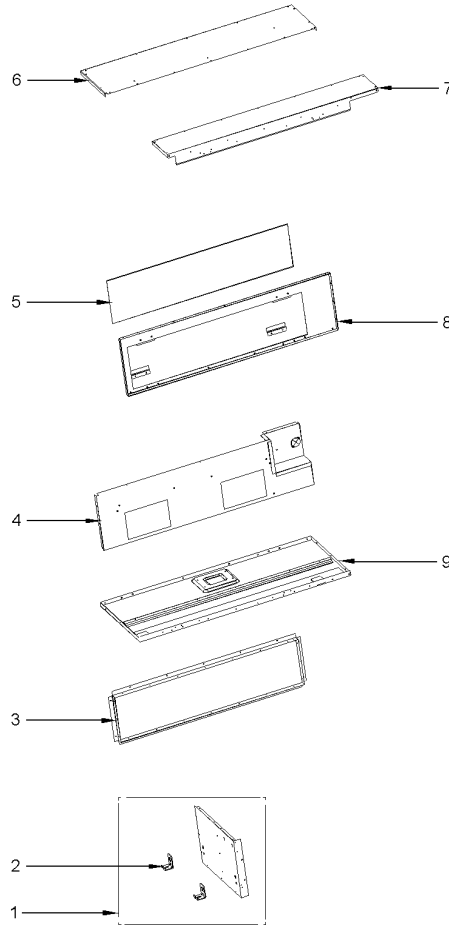
Part No.	Reference No.	Quantity	Description
75011014_4TVDUP1_180882~P	*		MODEL NOMENCLATURE PARTS LIST

<b>MODEL NUMBER DESCRIPTION</b>	75011014	REV. A
Variant Refrigerant Flow Mid-Static Duct (MSP)		
<i>Example Model Number:</i> <b>4 T V D 0 0 1 2 C 1 0 0 N A A</b> <small>1 - - - - 5 - - - - 10 - - - - 15</small>		
<b>Digit 1 – Refrigerant</b> 4 = R-410a		
<b>Digit 2 – Brand Name</b> T = Trane		
<b>Digit 3 – System Type</b> V = Variable Refrigerant Flow		
<b>Digit 4 – Configuration Type</b> D = Mid-Static Duct (MSP)		
<b>Digit 5 – Reserved for Future Use</b> 0 = Not Currently Used		
<b>Digit 6, 7, 8 – Nominal Capacity (Btu/h x 1,000)</b> 007 = 7,500 Btu/h 009 = 9,500 Btu/h 012 = 12,000 Btu/h 015 = 15,000 Btu/h 018 = 18,000 Btu/h 024 = 24,000 Btu/h 027 = 27,000 Btu/h 030 = 30,000 Btu/h 036 = 36,000 Btu/h 048 = 48,000 Btu/h		
<b>Digit 9 – Major Development Sequence</b> C = Third Development Sequence		
<b>Digit 10 – Electric Power Supply Characteristics</b> 1 = 208-230/3 $\phi$		
<b>Digit 11, 12 – Reserved for Future Use</b> 0 = Not Currently Used		
<b>Digit 13 – Region of Sale</b> N = North America (UL or ETL)		
<b>Digit 14 – Minor Design Sequence</b> A = First Design Sequence		
<b>Digit 15 – Service Digit (Not Used for Ordering)</b> A = First Sequence		
1 of 1		

CABINET PARTS  
007, 009, 012, 015 & 018 UNITS

75011004

REV.  
A



This is a typical illustration. The unit in the field may not appear exactly as shown.

CABINET PARTS

Parts List Number :4TVDUP1#4TVDUP1

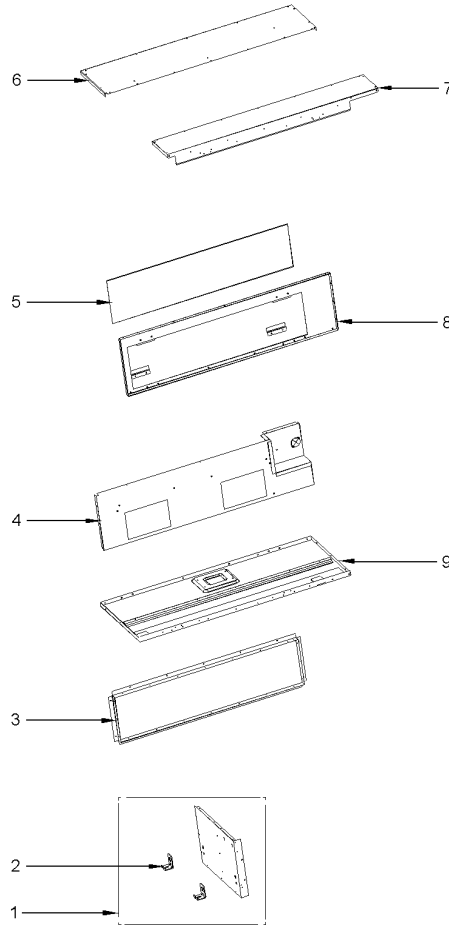
Model Number :4TVD0018C100NDA

Part No.	Reference No.	Quantity	Description
75011004_4TVDUP1_180876~P	*		CABINET PARTS

CABINET PARTS  
007, 009, 012, 015 & 018 UNITS

75011004

REV.  
A



This is a typical illustration. The unit in the field may not appear exactly as shown.

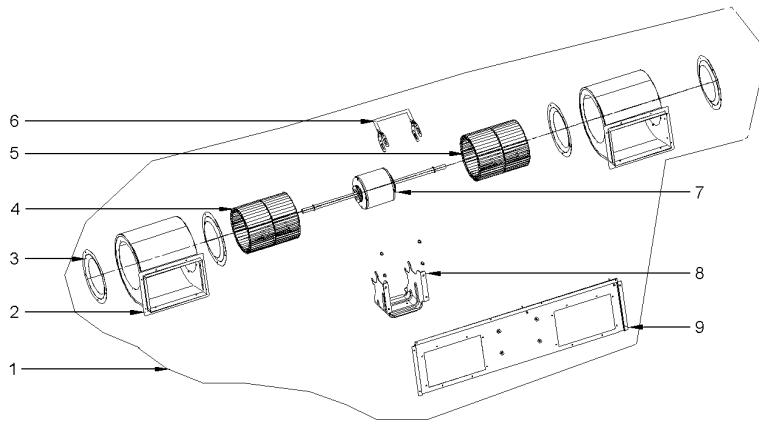
Part No.	Reference No.	Quantity	Description
PNL32747	1	1	PANEL; LEFT HAND CABINET PANEL WITH BRACKETS, OPPOSITE SIDE OF CONTROL PANEL IF BRACKETS ARE NEEDED ORDER HLD00643
HLD00643	2	2	HOLDER; SIDE CABI
BRK04330	3	1	BRACKET; DUCTWORK FLANGE
PNL32697	4	1	PANEL; ASSY PARTITION
FLR07752	5	1	FILTER; AIR WASHABLE FILTER
PNL32745	6	1	PANEL; CABINET, BASE ASSEMBLY FAN SECTION
PNL32749	7	1	PANEL; CABINET, BASE ASSEMBLY CONDENSATE SECTION
PNL32753	8	1	PANEL; CABINET, FRONT DISCHARGE AIR SIDE
PNL32746	9	1	CONTROL BOX; BACK ENCLOSURE

FAN SECTION

75011005

REV.  
A

007, 009, 012, 015 & 018 UNITS



This is a typical illustration. The unit in the field may not appear exactly as shown.

Parts List Number :4TVDUP1#4TVDUP1

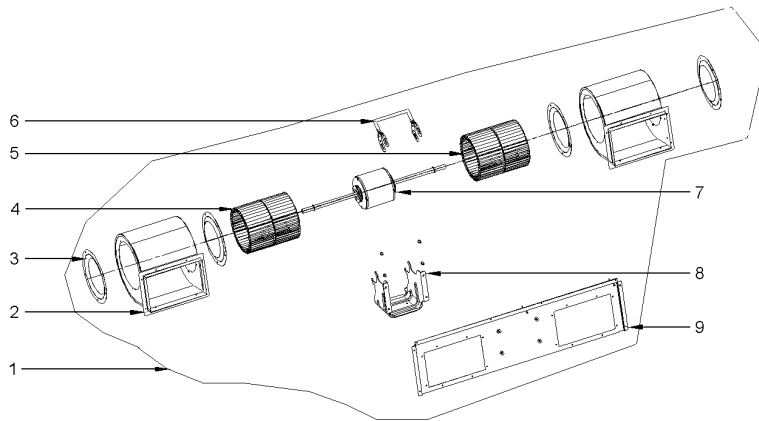
Model Number :4TVD0018C100NDA

Part No.	Reference No.	Quantity	Description
75011005_4TVDUP1_180877~P	*		FAN PARTS LIST

FAN SECTION  
007, 009, 012, 015 & 018 UNITS

75011005

REV.  
A



This is a typical illustration. The unit in the field may not appear exactly as shown.

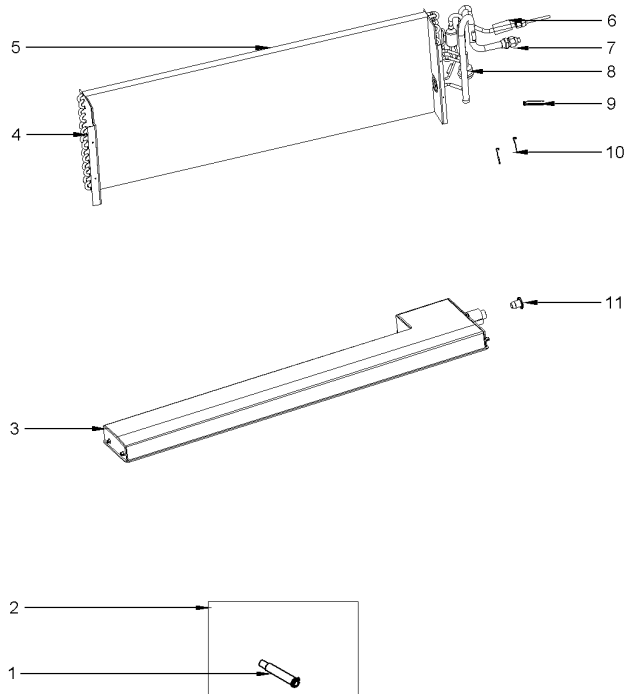
<b>Part No.</b>	<b>Reference No.</b>	<b>Quantity</b>	<b>Description</b>
PNL32698	1	1	PANEL; ASSY CABI BODY-FAN
FAN05512	2	2	FAN; BLOWER SQUIRREL CAGE HOUSING
FAN05513	3	4	FAN; BLOWER HOUSING END CAPS
FAN05516	4	1	FAN: SQUIRREL CAGE, LEFT
FAN05517	5	1	FAN: SQUIRREL CAGE, RIGHT
BND00912	6	1	CLIP; BRACKET CLIP FOR FAN MOTOR, IF FAN MOTOR BRACKET IS NEEDED ORDER BRK04619
MOT17170	7	1	MOTOR; FAN WITH SHAFT, 3 PH, 1100RPM, 311 V.D.C, 183W ( 0.245HP )
BRK04619	8	1	BRACKET; FAN MOTOR ( IF BRACKET CLIP IS NEEDED ORDER BND00912 )
PNL32699	9	1	PANEL; PARTITION-FRONT

COIL & DRAIN PAN SECTION

75011006

REV.  
A

007, 009, 012, 015 & 018 UNITS



This is a typical illustration. The unit in the field may not appear exactly as shown.

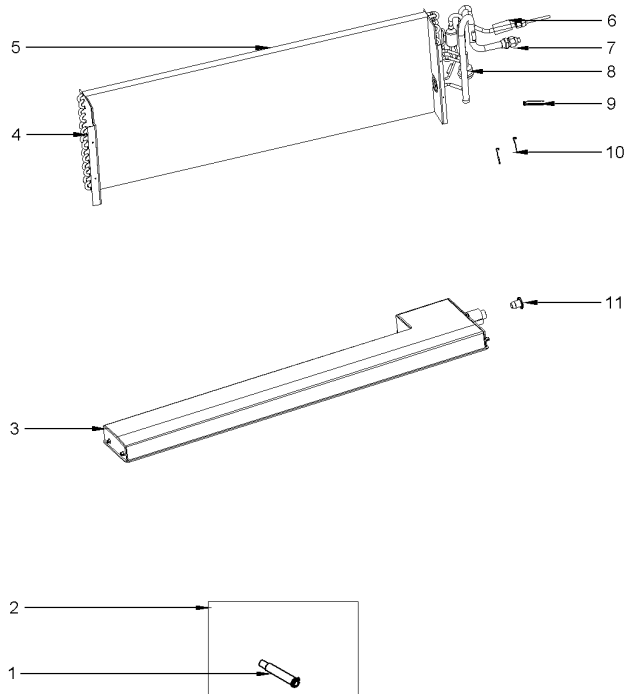
Part No.	Reference No.	Quantity	Description
75011006_4TVDUP1_280151~P	*		COIL & DRAIN PAN PARTS LIST

COIL & DRAIN PAN SECTION

75011006

REV.  
A

007, 009, 012, 015 & 018 UNITS



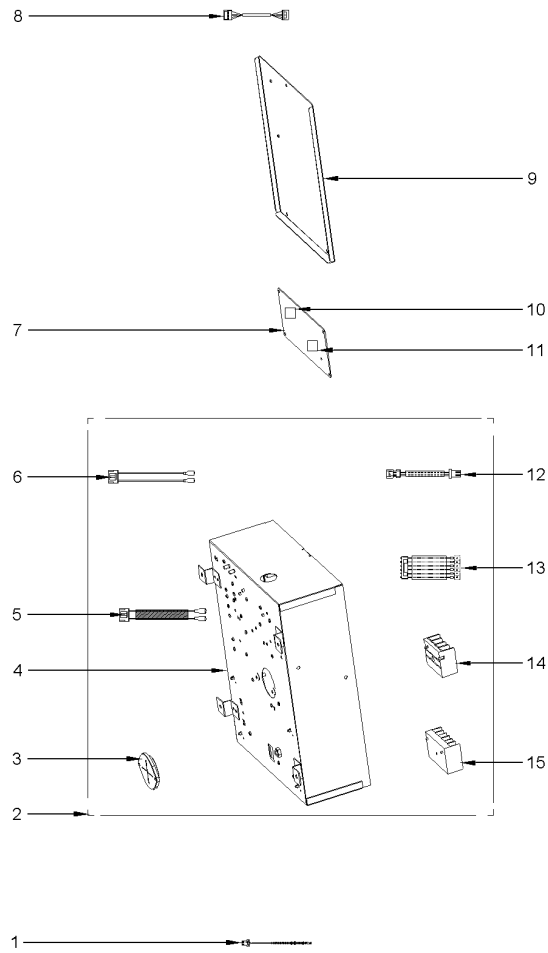
This is a typical illustration. The unit in the field may not appear exactly as shown.

<b>Part No.</b>	<b>Reference No.</b>	<b>Quantity</b>	<b>Description</b>
TUB13599	1	1	TUBE; DRAIN ADAPTER WITH PIPE INSULATION
KIT16603	2	1	ADAPTER; DRAIN PAN ADAPTER, CONDENSATE DRAIN
PAN03907	3	1	PAN; DRAIN WITH RUBBER PLUG ( PLUG NOT AVAILABLE SEPARATELY )
COL25753	4	1	COIL; EVAPORATOR ASSEMBLY IF THIS FAILS CUSTOMER TO REPLACE THE UNIT
COL25758	5	1	COIL; EVAP ASSEMBLY
SEL01276	6	1	SEAL; ASSY SEAL-PIPE COVER
NUT01314	7	1	NUT; ETC
VAL12096	8	1	VALVE; EEV VALVE
SEN02428	9	1	SENSOR; TEMP
SPG01139	10	2	SPRING; THERMISTOR CLIP, ETC-SENSOR, DVM-SYSTEM,STS304,R2.5
CAP01314	11	1	CAP; DRAIN PAN CAP-RUBBER

CONTROLS SECTION  
007, 009, 012, 015 & 018 UNITS

75011007

REV.  
A



This is a typical illustration. The unit in the field may not appear exactly as shown.

CONTROLS

Parts List Number :4TVDUP1#4TVDUP1

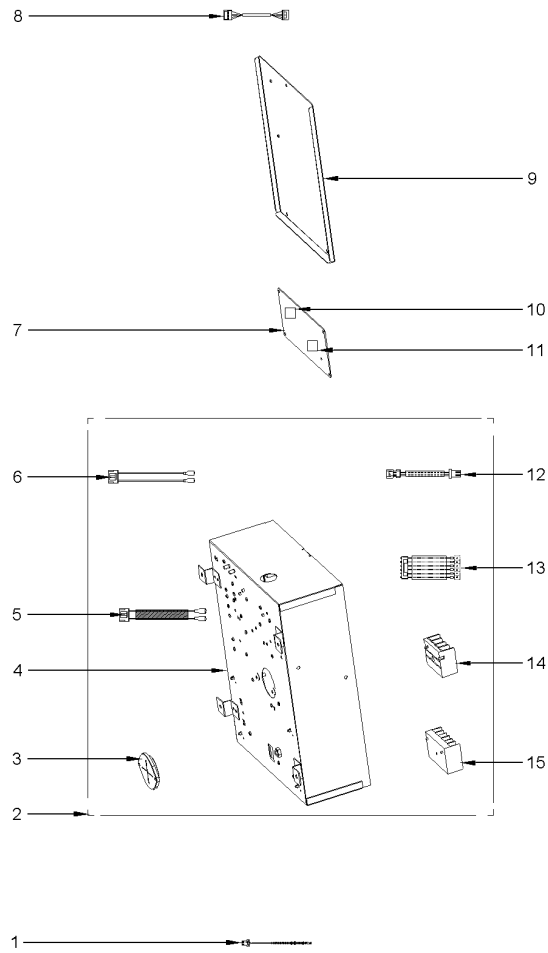
Model Number :4TVD0018C100NDA

Part No.	Reference No.	Quantity	Description
75011007_4TVDUP1_180880~P	*		CONTROLS PARTS LIST

CONTROLS SECTION  
007, 009, 012, 015 & 018 UNITS

75011007

REV.  
A



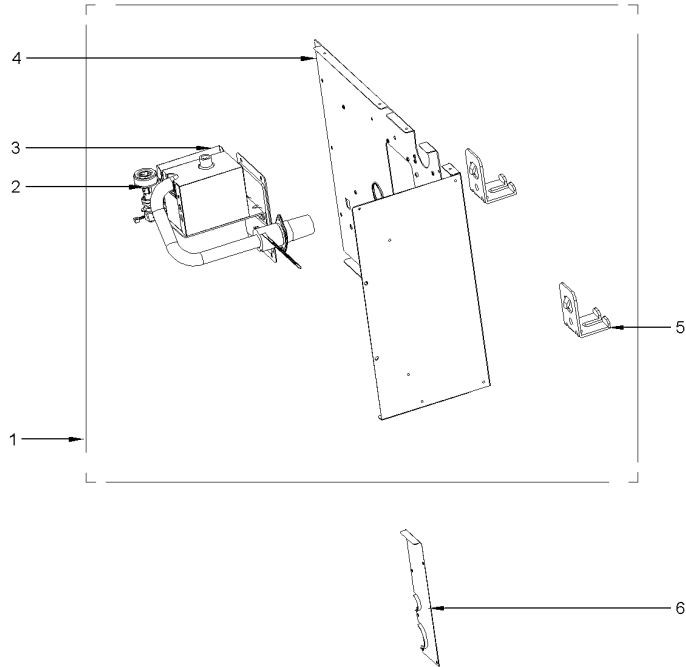
This is a typical illustration. The unit in the field may not appear exactly as shown.

Part No.	Reference No.	Quantity	Description
SEN02165	1	1	THERMISTOR; RETURN AIR
CNT07522	2	1	CONTROL; ASSY CONTROL IN
COV04981	3	1	COVER; HOLE LOCATED ON BACK OF CONTROL BOX
BOX02797	4	1	CONTROL BOX; BACK ENCLOSURE
WIR08030	5	1	WIRE HARNESS; POWER FROM MAIN TO PCB BOARD TO TERMINAL BLOCK
WIR08028	6	1	WIRE HARNESS; HOT WATER COIL ( FROM MAIN PCB BOARD TO TERMINAL BLOCK )
BRD04823	7	1	BOARD; PCB MAIN ASSY, MAIN, AM140FNLDEH/EU, 190*90
WIR08036	8	1	WIRE HARNESS ASSEMBLY MOTOR EXTENSION
COV04984	9	1	COVER; CONTROL BOX
CNT07011	10	1	BOARD; SUB PCB BOARD
BRD04834	11	1	BOARD; EEPROM BOARD ASSEMBLY WITH EEPROM CHIP
WIR08034	12	1	WIRE HARNESS; CONNECTOR FOR THERMAL FUSE
WIR08035	13	1	WIRE HARNESS; COMM AND REMOTE CONTROL FROM MAIN PCB TO TERMINAL BLOCK
BLK01426	14	1	TERMINAL BLOCK; HIGH VOLTAGE, MAIN POWER, WITH THERMAL FUSE, THERMAL FUSE NOT AVAILABLE SEPARATELY
BLK01463	15	1	TERMINAL BLOCK; COMMUNICATION AND WIRED REMOTE CONTROL

RH CABINET SIDE & DRAIN PUMP  
007, 009, 012, 015 & 018 UNITS

75011008

REV.  
A



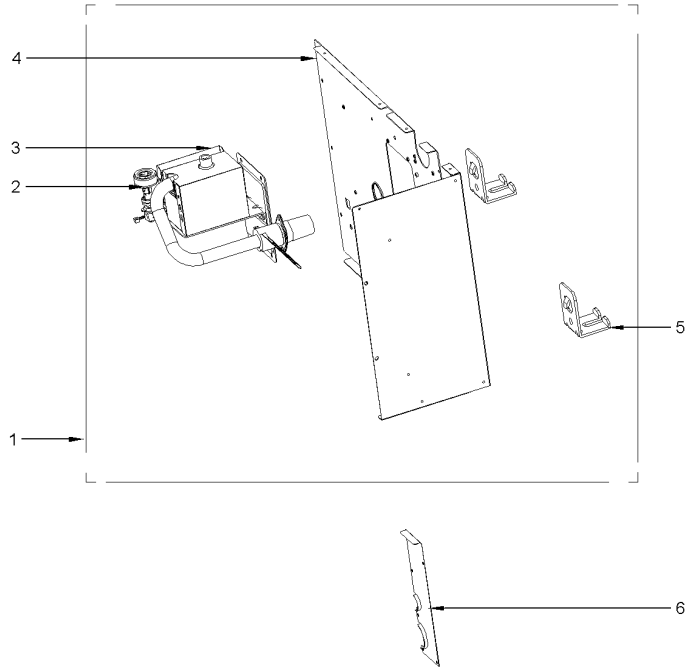
This is a typical illustration. The unit in the field may not appear exactly as shown.

Part No.	Reference No.	Quantity	Description
75011008_4TVDUP1_180881~P	*		RH CABINET SIDE & DRAIN PUMP PARTS LIST

RH CABINET SIDE & DRAIN PUMP  
007, 009, 012, 015 & 018 UNITS

75011008

REV.  
A



This is a typical illustration. The unit in the field may not appear exactly as shown.

Parts List Number :4TVDUP1#4TVDUP1

Model Number :4TVD0018C100NDA

Part No.	Reference No.	Quantity	Description
PNL32748	1	1	PANEL; ASSEMBLY END, CONTROL BOX SIDE, DRAIN PUMP AND FLOAT SWITCH AND BRACKETS, IF BRACKET IS NEEDED ORDER HLD00643
SEN02177	2	1	FLOAT; ASSY, SWITCH FLOAT
PMP02213	3	1	PUMP; DRAIN
CBT01842	4	1	CABINET; SIDE-RH
HLD00643	5	2	HOLDER; SIDE CABI
COV04982	6	1	COVER; PIPE SMALL METAL COVER OVER PIPING

ACCESSORIES

75011332

REV.  
A

BAG KITS

### Accessory Bag Kits Contain:

1. Drain Adapter.
2. Rubber Washers.
3. Insulation Wraps.
4. Plastic Ties.

All orderable Service Parts are identified for this product.

Parts that are not identified, will not be available to order.

This is a typical illustration. The unit in the field may not appear exactly as shown.

Part No.	Reference No.	Quantity	Description
75011332_4TVDUP1_180883~P	*		ACCESSORY BAG KITS PARTS LIST

ACCESSORIES

75011332

REV.  
A

BAG KITS

### Accessory Bag Kits Contain:

1. Drain Adapter.
2. Rubber Washers.
3. Insulation Wraps.
4. Plastic Ties.

All orderable Service Parts are identified for this product.

Parts that are not identified, will not be available to order.

This is a typical illustration. The unit in the field may not appear exactly as shown.

Part No.	Reference No.	Quantity	Description
KIT17949	*	1	KIT; ACCESSORY BAG