

Part No.	Reference No.	Quantity	Description
4TVEUP1_4TVEUP1_179538~P	*		4TVEUP1 PARTS LIST
75011332#4TVEUP1~S	*		ACCESSORY BAG KITS
75010149#4TVEUP1~S	*		GENERAL ASSEMBLY 4 WAY CASSETTE
75010050#4TVEUP1~S	*		MODEL NOMENCLATURE VRF INDOOR UNITS
75013030#4TVEUP1~S	*		SPECIAL NOTE FOR COVER MODELS

NO GRAPHIC AVAILABLE

75013702

REV
A

**NO
GRAPHIC
AVAILABLE**

MODEL NOMENCLATURE

75010050

REV
B

VRF Indoor Unit

Model Number Example
4 T V D 0 0 1 8 B 1 0 0 N A
1 2 3 4 5 6 7 8 9 10 11 12 13 14

Digit 1 = Refrigerant
4 = R-410a

Digit 2 = Brand Name
T = Trane

Digit 3 = System Type
V = Variable Refrigerant Flow

Digit 4 = Configuration Type
B = Mini 4-Way Cassette
C = 4-Way Cassette
D = MSP Duct Type (Mid Pressure)
E = 1-Way Cassette
L = Slim Duct Type (Low Pressure)
A = HSP Duct Type (High Pressure)
X = Ceiling
W = High Wall

Digit 5 = Reserved for Future Use
0 = Not Currently Used

Digit 6,7,8 = Nominal Capacity
(Btu/h x 1,000)

005 = 5,000 Btu/h
006 = 6,000 Btu/h
007 = 7,000 Btu/h
009 = 9,000 Btu/h
012 = 12,000 Btu/h
018 = 18,000 Btu/h
020 = 20,000 Btu/h
024 = 24,000 Btu/h
030 = 30,000 Btu/h
036 = 36,000 Btu/h
048 = 48,000 Btu/h

Digit 9 = Major Development Sequence
B = Second Development Sequence

Digit 10 = Electric Power Supply Characteristics
1 = 208-230/60/1

Digit 11, 12 = Reserved for Future Use
00 = Not Currently Used

Digit 13 = Region of Sale
N = North America (UL or ETL)

Digit 14 = Minor Design Sequence
B = Second Design Sequence

Parts List Number :4TVEUP1#4TVEUP1

Model Number :4TVC0036B100ND

Part No.	Reference No.	Quantity	Description
75010050_4TVEUP1_180302~P	*		MODEL NOMENCLATURE VRF INDOOR UNITS PARTS LIST

MODEL NOMENCLATURE VRF Indoor Unit	75010050	REV B
<p>Model Number Example</p> <p>4 T V D 0 0 1 8 B 1 0 0 N A</p> <p>1 2 3 4 5 6 7 8 9 10 11 12 13 14</p>		
Digit 1 = Refrigerant 4 = R-410a	Digit 10 = Electric Power Supply Characteristics 1 = 208-230/60/1	
Digit 2 = Brand Name T = Trane	Digit 11, 12 = Reserved for Future Use 00 = Not Currently Used	
Digit 3 = System Type V = Variable Refrigerant Flow	Digit 13 = Region of Sale N = North America (UL or ETL)	
Digit 4 = Configuration Type B = Mini 4-Way Cassette C = 4-Way Cassette D = MSP Duct Type (Mid Pressure) E = 1-Way Cassette L = Slim Duct Type (Low Pressure) A = HSP Duct Type (High Pressure) X = Ceiling W = High Wall	Digit 14 = Minor Design Sequence B = Second Design Sequence	
Digit 5 = Reserved for Future Use 0 = Not Currently Used		
Digit 6,7,8 = Nominal Capacity (Btu/h x 1,000)		
005 = 5,000 Btu/h 006 = 6,000 Btu/h 007 = 7,000 Btu/h 009 = 9,000 Btu/h 012 = 12,000 Btu/h 018 = 18,000 Btu/h 020 = 20,000 Btu/h 024 = 24,000 Btu/h 030 = 30,000 Btu/h 036 = 36,000 Btu/h 048 = 48,000 Btu/h		
Digit 9 = Major Development Sequence B = Second Development Sequence		

COVER MODELS

75013030

REV. A

EXAMPLES SHOWN BELOW

Below are some examples of 4TVB (Mini 4-Way Cassette), & 4TVC (4-Way Cassette) units which are the body (the model numbers that start with 4TVB, 4TVC etc), and their are also Cover units (cover model numbers examples are shown below) that are used with the body units. When certain parts; like filters, are not found in CATS for the 4TVB & 4TVC models (and similar), remember to put the Cover model number into CATS for those part numbers. Also remember to look at the literature found in Parts & Supply for these models for further details.



4TVB00



TVEPANPC4

Table DU-12-B ? R-410A VRF Mini Four-Way Cassette

Indoor Model Number	Power Supply (Volts/Phase/Hz)	Nom Cap. Cooling (BTUH)	Unrated Dimensions (in) W D H (lbs)	Shipping Weight Level	Sound Pressure 2	Max. Fuse	Line Size (in) OD OD
4TVB0005B100NC	208-230/1/60	5,000	22.8 22.8 9.8	30.9	26-34 0.22 15		1/2 1/4
4TVB0007B100NC	208-230/1/60	7,500	22.8 22.8 9.8	30.9	26-34 0.22 15		1/2 1/4
4TVB0009B100NC	208-230/1/60	9,500	22.8 22.8 9.8	30.9	26-34 0.22 15		1/2 1/4
4TVB0012B100NC	208-230/1/60	12,000	22.8 22.8 9.8	30.9	31-36 0.24 15		1/2 1/4
4TVB0018B100NC	208-230/1/60	18,000	22.8 22.8 9.8	30.9	34-40 0.34 15		1/2 1/4
4TVB0020B100NC	208-230/1/60	20,000	22.8 22.8 9.8	30.9	35-41 0.38 15		1/2 1/4

Cassette Cover Panels

Model Number	Description	Matches Cassette	HP Model(s)
PNL4WAYMINI23ACover Panel 23.3 x 23.3 x .1.97	4TVB0005B	- 4TVB0020B



4TVC00



TVEPANPC4

Table DU-12-C ? R-410A VRF Four-Way Cassette

Indoor Model Number	Power Supply (Volts/Phase/Hz)	Nom Cap. Cooling (BTUH)	Unrated Dimensions (in) W D H (lbs)	Shipping Weight Level	Sound Pressure 2	Max. Fuse (A)	Line Size (in) OD OD LR
4TVC0009B100ND	208-230/1/60	9,000	33 33 8 40.8	31-34	0.32 15		1/2 1/4
4TVC0012B100ND	208-230/1/60	12,000	33 33 8 40.8	31-34	0.32 15		1/2 1/4
4TVC0018B100ND	208-230/1/60	18,000	33 33 8 40.8	31-34	0.32 15		1/2 1/4
4TVC0024B100ND	208-230/1/60	24,000	33 33 8 40.8	34-36	0.38 15		1/2 1/4
4TVC0030B100ND	208-230/1/60	30,000	33 33 11.3 50.7	30-39	0.63 15		5/8 3/8
4TVC0036B100ND	208-230/1/60	36,000	33 33 11.3 50.7	33-40	0.70 15		5/8 3/8
4TVC0048B100ND	208-230/1/60	48,000	33 33 11.3 50.7	39-44	0.94 15		5/8 3/8

Cassette Cover Panels

Model Number	Description	Matches Cassette	HP Model(s)
TVEPANPC4NUSETCover Panel 37.4 x 37.4 x 1.8	4TVC009B, 0018B, 0024B, 0030B, 00036B & 0048B	

All orderable Service Parts are identified for this product.

Parts that are not identified, will not be available to order.

This is a typical illustration. The unit in the field may not appear exactly as shown.

Part No.	Reference No.	Quantity	Description
75013030_4TVEUP1_179543~P	*		SPECIAL NOTE FOR COVER MODELS PARTS LIST

COVER MODELS
 EXAMPLES SHOWN BELOW

75013030

REV. A

Below are some examples of 4TVB (Mini 4-Way Cassette), & 4TVC (4-Way Cassette) units which are the body (the model numbers that start with 4TVB, 4TVC etc), and their are also Cover units (cover model numbers examples are shown below) that are used with the body units. When certain parts; like filters, are not found in CATS for the 4TVB & 4TVC models (and similar), remember to put the Cover model number into CATS for those part numbers. Also remember to look at the literature found in Parts & Supply for these models for further details.



4TVB00



TVEPANPC4

Table DU-12-B ? R-410A VRF Mini Four-Way Cassette

Indoor Model Number	Power Supply (Volts/Phase/Hz)	Nom Cap. Cooling (BTUH)	Unrated Dimensions (in) W D H (lbs)	Shipping Weight Level	Sound Pressure 2	Max. Fuse	Line Size (in) OD OD
4TVB0005B100NC	208-230/1/60	5,000	22.8 22.8 9.8	30.9	26-34 0.22 15		1/2 1/4
4TVB0007B100NC	208-230/1/60	7,500	22.8 22.8 9.8	30.9	26-34 0.22 15		1/2 1/4
4TVB0009B100NC	208-230/1/60	9,500	22.8 22.8 9.8	30.9	26-34 0.22 15		1/2 1/4
4TVB0012B100NC	208-230/1/60	12,000	22.8 22.8 9.8	30.9	31-36 0.24 15		1/2 1/4
4TVB0018B100NC	208-230/1/60	18,000	22.8 22.8 9.8	30.9	34-40 0.34 15		1/2 1/4
4TVB0020B100NC	208-230/1/60	20,000	22.8 22.8 9.8	30.9	35-41 0.38 15		1/2 1/4

Cassette Cover Panels

Model Number	Description	Matches Cassette	HP Model(s)
PNL4WAYMINI23A	Cover Panel 23.3 x 23.3 x 1.97	4TVB0005B	4TVB0020B



4TVC00



TVEPANPC4

Table DU-12-C ? R-410A VRF Four-Way Cassette

Indoor Model Number	Power Supply (Volts/Phase/Hz)	Nom Cap. Cooling (BTUH)	Unrated Dimensions (in) W D H (lbs)	Shipping Weight Level	Sound Pressure 2	Max. Fuse (A)	Line Size (in) OD OD LG
4TVC0009B100ND	208-230/1/60	9,000	33 33 8 40.8	31-34	0.32 15		1/2 1/4
4TVC0012B100ND	208-230/1/60	12,000	33 33 8 40.8	31-34	0.32 15		1/2 1/4
4TVC0018B100ND	208-230/1/60	18,000	33 33 8 40.8	31-34	0.32 15		1/2 1/4
4TVC0024B100ND	208-230/1/60	24,000	33 33 8 40.8	34-36	0.38 15		1/2 1/4
4TVC0030B100ND	208-230/1/60	30,000	33 33 11.3 50.7	30-39	0.63 15		5/8 3/8
4TVC0036B100ND	208-230/1/60	36,000	33 33 11.3 50.7	33-40	0.70 15		5/8 3/8
4TVC0048B100ND	208-230/1/60	48,000	33 33 11.3 50.7	39-44	0.94 15		5/8 3/8

Cassette Cover Panels

Model Number	Description	Matches Cassette	HP Model(s)
TVEPANPC4NUSET	Cover Panel 37.4 x 37.4 x 1.8	4TVC009B, 0018B, 0024B, 0030B, 00036B & 0048B	

All orderable Service Parts are identified for this product.

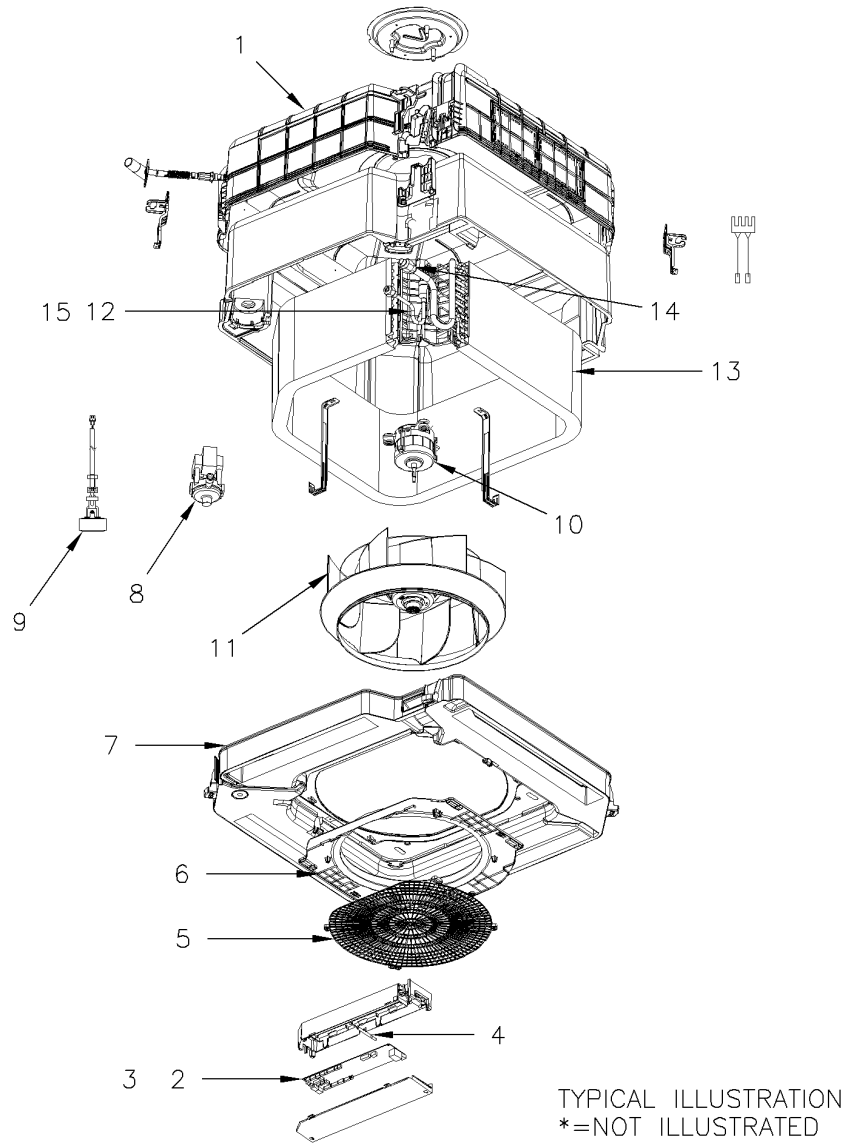
Parts that are not identified, will not be available to order.

This is a typical illustration. The unit in the field may not appear exactly as shown.

GENERAL ASSEMBLY
INDOOR GLOBAL 4 WAY CASSETTE BODY

75010149

REV
A



Parts List Number :4TVEUP1#4TVEUP1

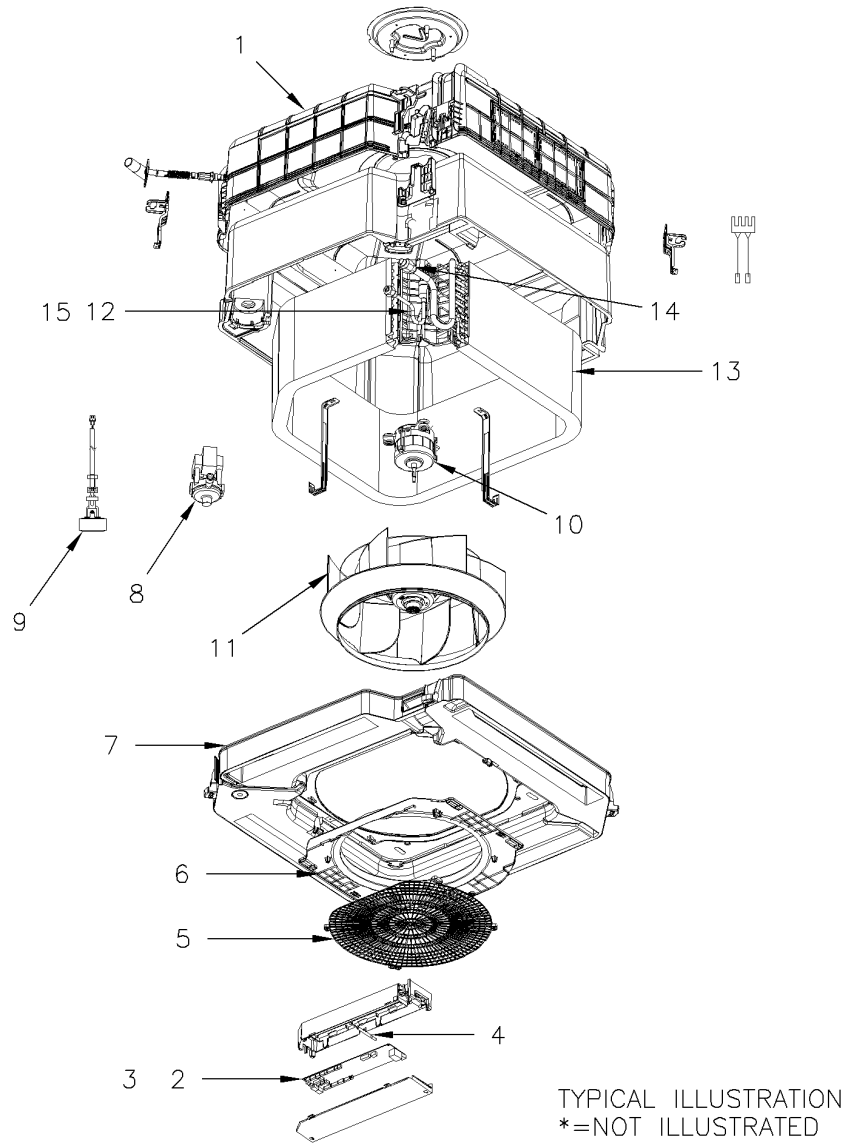
Model Number :4TVC0036B100ND

Part No.	Reference No.	Quantity	Description
75010149_4TVEUP1_278106~P	*		GENERAL ASSEMBLY 4 WAY CASSETTE PARTS LIST

GENERAL ASSEMBLY
INDOOR GLOBAL 4 WAY CASSETTE BODY

75010149

REV
A



Parts List Number :4TVEUP1#4TVEUP1

Model Number :4TVC0036B100ND

Part No.	Reference No.	Quantity	Description
PNL29731	1	1	PANEL; OUTER SHELL ASSEMBLY INCLUDING HANGING BRACKETS AND MOTOR BRACKET
BRD04824	2	1	BOARD; PCB MAIN ASSY, MAIN, AM140FN4DEH/EU, 260*70
BRD04834	3	1	BOARD; EEPROM BOARD ASSEMBLY WITH EEPROM CHIP
SEN02162	4	1	THERMISTOR; ROOM TEMP
GRL01911	5	1	GRILLE; FAN GUARD
PNL29694	6	1	FAN; RETURN AIR FAN SHROUD, PLASTIC, LEFT HAND THREADED NUT NOT SUPPLIED
PAN03405	7	1	DRAIN PAN, STYROFOAM
PMP02095	8	1	PUMP; DRAIN; PBT, BLACK, DC MORTOR
SEN02177	9	1	FLOAT; ASSY, SWITCH FLOAT
MOT15375	10	1	MOTOR; 65W,DC310V,MAX IC 8, LEFT HAND THREADED NUT NOT SUPPLIED
FAN05006	11	1	FAN; BLADE TURBO
COL19914	12	1	COIL; ASSY TUBE EVAP IN, AM***FN4DCH/AA, DVM TRA
COL19912	13	1	COIL; ASSY EVAP, UNIT, 4TVC0030B100NB, ASSY
SEN02170	14	1	THERMISTOR; EVAP IN / OUT (U BEND)
VAL11139	15	1	VALVE; EXPAN-GEAR, D3.2, -, 2000, 500

ACCESSORIES

75011332

REV.
A

BAG KITS

Accessory Bag Kits Contain:

1. Drain Adapter.
2. Rubber Washers.
3. Insulation Wraps.
4. Plastic Ties.

All orderable Service Parts are identified for this product.

Parts that are not identified, will not be available to order.

This is a typical illustration. The unit in the field may not appear exactly as shown.

Part No.	Reference No.	Quantity	Description
75011332_4TVEUP1_236638~P	*		ACCESSORY BAG KITS PARTS LIST

ACCESSORIES

75011332

REV.
A

BAG KITS

Accessory Bag Kits Contain:

1. Drain Adapter.
2. Rubber Washers.
3. Insulation Wraps.
4. Plastic Ties.

All orderable Service Parts are identified for this product.

Parts that are not identified, will not be available to order.

This is a typical illustration. The unit in the field may not appear exactly as shown.

Part No.	Reference No.	Quantity	Description
KIT17946	*	1	KIT; ACCESSORY BAG