

<b>Part No.</b>	<b>Reference No.</b>	<b>Quantity</b>	<b>Description</b>
4TVEUP1_4TVEUP1_179538~P	*		4TVEUP1 PARTS LIST
75011332#4TVEUP1~S	*		ACCESSORY BAG KITS
75010151#4TVEUP1~S	*		GENERAL ASSEMBLY MINI 4 WAY CASSETTE
75010050#4TVEUP1~S	*		MODEL NOMENCLATURE VRF INDOOR UNITS
75013030#4TVEUP1~S	*		SPECIAL NOTE FOR COVER MODELS

NO GRAPHIC AVAILABLE

75013702

REV  
A

**NO  
GRAPHIC  
AVAILABLE**

MODEL NOMENCLATURE

75010050

REV  
B

VRF Indoor Unit

Model Number Example

**4 T V D 0 0 1 8 B 1 0 0 N A**  
**1 2 3 4 5 6 7 8 9 10 11 12 13 14**

Digit 1 = Refrigerant  
4 = R-410a

Digit 2 = Brand Name  
T = Trane

Digit 3 = System Type  
V = Variable Refrigerant Flow

Digit 4 = Configuration Type  
B = Mini 4-Way Cassette  
C = 4-Way Cassette  
D = MSP Duct Type (Mid Pressure)  
E = 1-Way Cassette  
L = Slim Duct Type (Low Pressure)  
A = HSP Duct Type (High Pressure)  
X = Ceiling  
W = High Wall

Digit 5 = Reserved for Future Use  
0 = Not Currently Used

Digit 6,7,8 = Nominal Capacity  
(Btu/h x 1,000)

005 = 5,000 Btu/h  
006 = 6,000 Btu/h  
007 = 7,000 Btu/h  
009 = 9,000 Btu/h  
012 = 12,000 Btu/h  
018 = 18,000 Btu/h  
020 = 20,000 Btu/h  
024 = 24,000 Btu/h  
030 = 30,000 Btu/h  
036 = 36,000 Btu/h  
048 = 48,000 Btu/h

Digit 9 = Major Development Sequence  
B = Second Development Sequence

Digit 10 = Electric Power Supply Characteristics  
1 = 208-230/60/1

Digit 11, 12 = Reserved for Future Use  
00 = Not Currently Used

Digit 13 = Region of Sale  
N = North America (UL or ETL)

Digit 14 = Minor Design Sequence  
B = Second Design Sequence

Parts List Number :4TVEUP1#4TVEUP1

Model Number :4TVB0012B100NC

Part No.	Reference No.	Quantity	Description
75010050_4TVEUP1_180302~P	*		MODEL NOMENCLATURE VRF INDOOR UNITS PARTS LIST

MODEL NOMENCLATURE

75010050

REV  
B

VRF Indoor Unit

Model Number Example

**4 T V D 0 0 1 8 B 1 0 0 N A**  
**1 2 3 4 5 6 7 8 9 10 11 12 13 14**

Digit 1 = Refrigerant  
 4 = R-410a

Digit 2 = Brand Name  
 T = Trane

Digit 3 = System Type  
 V = Variable Refrigerant Flow

Digit 4 = Configuration Type  
 B = Mini 4-Way Cassette  
 C = 4-Way Cassette  
 D = MSP Duct Type (Mid Pressure)  
 E = 1-Way Cassette  
 L = Slim Duct Type (Low Pressure)  
 A = HSP Duct Type (High Pressure)  
 X = Ceiling  
 W = High Wall

Digit 5 = Reserved for Future Use  
 0 - Not Currently Used

Digit 6,7,8 = Nominal Capacity  
 (Btu/h x 1,000)  
 005 = 5,000 Btu/h  
 006 = 6,000 Btu/h  
 007 = 7,000 Btu/h  
 009 = 9,000 Btu/h  
 012 = 12,000 Btu/h  
 018 = 18,000 Btu/h  
 020 = 20,000 Btu/h  
 024 = 24,000 Btu/h  
 030 = 30,000 Btu/h  
 036 = 36,000 Btu/h  
 048 = 48,000 Btu/h

Digit 9 = Major Development Sequence  
 B = Second Development Sequence

Digit 10 = Electric Power Supply Characteristics  
 1 = 208-230/60/1

Digit 11, 12 = Reserved for Future Use  
 00 - Not Currently Used

Digit 13 = Region of Sale  
 N = North America (UL or ETL)

Digit 14 = Minor Design Sequence  
 B = Second Design Sequence

**COVER MODELS**  
 EXAMPLES SHOWN BELOW

75013030

REV. A

Below are some examples of 4TVB (Mini 4-Way Cassette), & 4TVC (4-Way Cassette) units which are the body (the model numbers that start with 4TVB, 4TVC etc), and their are also Cover units (cover model numbers examples are shown below) that are used with the body units. When certain parts; like filters, are not found in CATS for the 4TVB & 4TVC models (and similar), remember to put the Cover model number into CATS for those part numbers. Also remember to look at the literature found in Parts & Supply for these models for further details.



4TVB00



TVEPANPC4

Table DU-12-B ? R-410A VRF Mini Four-Way Cassette

Indoor Model Number	Power Supply (Volts/Phase/Hz)	Nom Cap. Cooling (BTUH)	Unrated Dimensions (in) W D H (lbs)	Shipping Weight Level	Sound Pressure 2	Max. Fuse (A)	Line Size (in) OD OD
4TVB0005B100NC	208-230/1/60	5,000	22.8 22.8 9.8	30.9	26-34 0.22 15		1/2 1/4
4TVB0007B100NC	208-230/1/60	7,500	22.8 22.8 9.8	30.9	26-34 0.22 15		1/2 1/4
4TVB0009B100NC	208-230/1/60	9,500	22.8 22.8 9.8	30.9	26-34 0.22 15		1/2 1/4
4TVB0012B100NC	208-230/1/60	12,000	22.8 22.8 9.8	30.9	31-36 0.24 15		1/2 1/4
4TVB0018B100NC	208-230/1/60	18,000	22.8 22.8 9.8	30.9	34-40 0.34 15		1/2 1/4
4TVB0020B100NC	208-230/1/60	20,000	22.8 22.8 9.8	30.9	35-41 0.38 15		1/2 1/4

**Cassette Cover Panels**

Model Number	Description	Matches Cassette HP Model(s)
PNL4WAYMINI23A	Cover Panel 23.3 x 23.3 x 1.97	4TVB0005B - 4TVB0020B



4TVC00



TVEPANPC4

Table DU-12-C ? R-410A VRF Four-Way Cassette

Indoor Model Number	Power Supply (Volts/Phase/Hz)	Nom Cap. Cooling (BTUH)	Unrated Dimensions (in) W D H (lbs)	Shipping Weight Level	Sound Pressure 2	Max. Fuse (A)	Line Size (in) OD OD LR
4TVC0009B100ND	208-230/1/60	9,000	33 33 8 40.8	31-34	0.32 15		1/2 1/4
4TVC0012B100ND	208-230/1/60	12,000	33 33 8 40.8	31-34	0.32 15		1/2 1/4
4TVC0018B100ND	208-230/1/60	18,000	33 33 8 40.8	31-34	0.32 15		1/2 1/4
4TVC0024B100ND	208-230/1/60	24,000	33 33 8 40.8	34-36	0.38 15		1/2 1/4
4TVC0030B100ND	208-230/1/60	30,000	33 33 11.3 50.7	30-39	0.63 15		5/8 3/8
4TVC0036B100ND	208-230/1/60	36,000	33 33 11.3 50.7	33-40	0.70 15		5/8 3/8
4TVC0048B100ND	208-230/1/60	48,000	33 33 11.3 50.7	39-44	0.94 15		5/8 3/8

**Cassette Cover Panels**

Model Number	Description	Matches Cassette HP Model(s)
TVEPANPC4NUSET	Cover Panel 37.4 x 37.4 x 1.8	4TVC009B, 0018B, 0024B, 0030B, 00036B & 0048B

All orderable Service Parts are identified for this product.

Parts that are not identified, will not be available to order.

This is a typical illustration. The unit in the field may not appear exactly as shown.

Part No.	Reference No.	Quantity	Description
75013030_4TVEUP1_179543~P	*		SPECIAL NOTE FOR COVER MODELS PARTS LIST

**COVER MODELS**  
 EXAMPLES SHOWN BELOW

75013030

REV. A

Below are some examples of 4TVB (Mini 4-Way Cassette), & 4TVC (4-Way Cassette) units which are the body (the model numbers that start with 4TVB, 4TVC etc), and their are also Cover units (cover model numbers examples are shown below) that are used with the body units. When certain parts; like filters, are not found in CATS for the 4TVB & 4TVC models (and similar), remember to put the Cover model number into CATS for those part numbers. Also remember to look at the literature found in Parts & Supply for these models for further details.



4TVB00



TVEPANPC4

Table DU-12-B ? R-410A VRF Mini Four-Way Cassette

Indoor Model Number	Power Supply (Volts/Phase/Hz)	Nom Cap. Cooling (BTUH)	Unrated Dimensions (in) W D H (lbs)	Shipping Weight Level	Sound Pressure 2	Max. Fuse (A)	Line Size (in) OD OD
4TVB0005B100NC	208-230/1/60	5,000	22.8 22.8 9.8	30.9	26-34 0.22 15		1/2 1/4
4TVB0007B100NC	208-230/1/60	7,500	22.8 22.8 9.8	30.9	26-34 0.22 15		1/2 1/4
4TVB0009B100NC	208-230/1/60	9,500	22.8 22.8 9.8	30.9	26-34 0.22 15		1/2 1/4
4TVB0012B100NC	208-230/1/60	12,000	22.8 22.8 9.8	30.9	31-36 0.24 15		1/2 1/4
4TVB0018B100NC	208-230/1/60	18,000	22.8 22.8 9.8	30.9	34-40 0.34 15		1/2 1/4
4TVB0020B100NC	208-230/1/60	20,000	22.8 22.8 9.8	30.9	35-41 0.38 15		1/2 1/4

**Cassette Cover Panels**

Model Number	Description	Matches Cassette HP Model(s)
PNL4WAYMINI23A	Cover Panel 23.3 x 23.3 x 1.97	4TVB0005B - 4TVB0020B



4TVC00



TVEPANPC4

Table DU-12-C ? R-410A VRF Four-Way Cassette

Indoor Model Number	Power Supply (Volts/Phase/Hz)	Nom Cap. Cooling (BTUH)	Unrated Dimensions (in) W D H (lbs)	Shipping Weight Level	Sound Pressure 2	Max. Fuse (A)	Line Size (in) OD OD LG
4TVC0009B100ND	208-230/1/60	9,000	33 33 8 40.8	31-34	0.32 15		1/2 1/4
4TVC0012B100ND	208-230/1/60	12,000	33 33 8 40.8	31-34	0.32 15		1/2 1/4
4TVC0018B100ND	208-230/1/60	18,000	33 33 8 40.8	31-34	0.32 15		1/2 1/4
4TVC0024B100ND	208-230/1/60	24,000	33 33 8 40.8	34-36	0.38 15		1/2 1/4
4TVC0030B100ND	208-230/1/60	30,000	33 33 11.3 50.7	30-39	0.63 15		5/8 3/8
4TVC0036B100ND	208-230/1/60	36,000	33 33 11.3 50.7	33-40	0.70 15		5/8 3/8
4TVC0048B100ND	208-230/1/60	48,000	33 33 11.3 50.7	39-44	0.94 15		5/8 3/8

**Cassette Cover Panels**

Model Number	Description	Matches Cassette HP Model(s)
TVEPANPC4NUSET	Cover Panel 37.4 x 37.4 x 1.8	4TVC009B, 0018B, 0024B, 0030B, 00036B & 0048B

All orderable Service Parts are identified for this product.

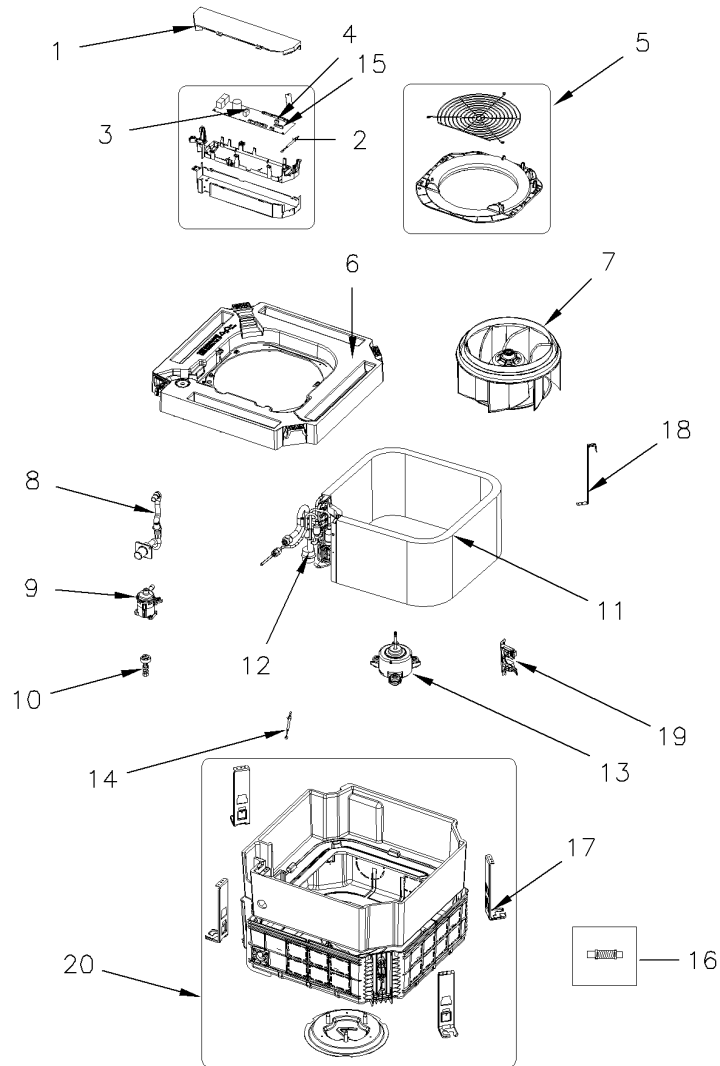
Parts that are not identified, will not be available to order.

This is a typical illustration. The unit in the field may not appear exactly as shown.

GENERAL ASSEMBLY  
INDOOR GLOBAL MINI 4 WAY CASSETTE

75010151

REV  
B



All orderable Service Parts are identified for this product.  
Parts that are not identified, will not be available to order.  
This is a typical illustration. The unit in the field may not appear exactly as shown.

Parts List Number :4TVEUP1#4TVEUP1

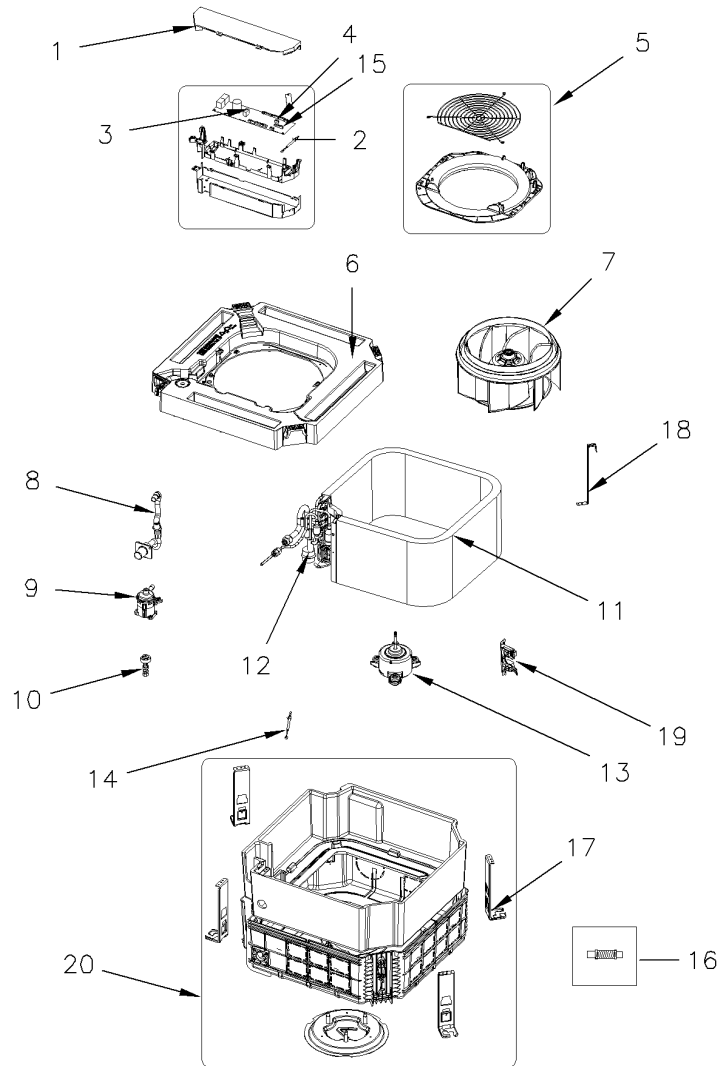
Model Number :4TVB0012B100NC

Part No.	Reference No.	Quantity	Description
75010151_4TVEUP1_237148~P	*		GENERAL ASSEMBLY MINI 4 WAY CASSETTE PARTS LIST

GENERAL ASSEMBLY  
INDOOR GLOBAL MINI 4 WAY CASSETTE

75010151

REV  
B



All orderable Service Parts are identified for this product.  
Parts that are not identified, will not be available to order.  
This is a typical illustration. The unit in the field may not appear exactly as shown.

Parts List Number :4TVEUP1#4TVEUP1

Model Number :4TVB0012B100NC

Part No.	Reference No.	Quantity	Description
COV04681	1	1	COVER; ASSY, CONTROL, GLOBAL-MINI 4WAY, SSEC
SEN02162	2	1	THERMISTOR; ROOM TEMP
BRD04824	3	1	BOARD; PCB MAIN ASSY, MAIN, AM140FN4DEH/EU, 260*70
BRD04834	4	1	BOARD; EEPROM BOARD ASSEMBLY WITH EEPROM CHIP
COV05030	5	1	COVER; GRILLE AND COVER ASSEMBLY
PAN03398	6	1	PAN; DRAIN ASSY, GLOBAL-MINI 4WAY, SSEC
FAN05005	7	1	FAN; ASSY, TURBO, MINI 4WAY CST, SSEC
LNK00546	8	1	LINKAGE; ASSY DRAIN-SOCKET, GLOBAL-MINI 4WAY, SSEC
PMP02092	9	1	PUMP; DRAIN, SDP-DCS, PBT, BLACK, DC MOTOR
SEN02177	10	1	FLOAT; ASSY, SWITCH FLOAT
COL19910	11	1	COIL; ASSY EVAP, AM022FNNDHEU EU, SSEC
VAL11137	12	1	VALVE; EXPAN-GEAR, D2.4, - , 2000, 500
MOT15376	13	1	MOTOR; FAN, FMC6531SSJ, 65W, DC310V, MAX IC
SEN02167	14	1	SENSOR; ASSY THERMISTOR IN-EVA IN OUT, ACN052NDEH
CNT07011	15	1	BOARD; SUB PCB BOARD
KIT17946	16	1	KIT; ACCESSORY BAG
PLT06113	17	4	PLATE; HANGER, L SHAPED
HLD00703	18	1	HOLDER; EVAP
COV05106	19	1	COVER; ASSY COVER-PIPE
CAS02120	20	1	CASING; ASSY CABI IN

ACCESSORIES

75011332

REV.  
A

BAG KITS

### Accessory Bag Kits Contain:

1. Drain Adapter.
2. Rubber Washers.
3. Insulation Wraps.
4. Plastic Ties.

All orderable Service Parts are identified for this product.

Parts that are not identified, will not be available to order.

This is a typical illustration. The unit in the field may not appear exactly as shown.

Part No.	Reference No.	Quantity	Description
75011332_4TVEUP1_236638~P	*		ACCESSORY BAG KITS PARTS LIST

ACCESSORIES

75011332

REV.  
A

BAG KITS

### Accessory Bag Kits Contain:

1. Drain Adapter.
2. Rubber Washers.
3. Insulation Wraps.
4. Plastic Ties.

All orderable Service Parts are identified for this product.

Parts that are not identified, will not be available to order.

This is a typical illustration. The unit in the field may not appear exactly as shown.

<b>Part No.</b>	<b>Reference No.</b>	<b>Quantity</b>	<b>Description</b>
KIT17946	*	1	KIT; ACCESSORY BAG