

<b>Part No.</b>	<b>Reference No.</b>	<b>Quantity</b>	<b>Description</b>
4TUKUP2_4TUKUP2_251126~P	*		4TUKUP2 PARTS LIST
75012336#4TUKUP2~S	*		CABINET AND FAN ASSEMBLY
75012339#4TUKUP2~S	*		CONDENSER AND COMPRESSOR ASSEMBLY
75012337#4TUKUP2~S	*		CONTROL PANEL ASSEMBLY
75012358#4TUKUP2~S	*		MODEL NUMBER DESCRIPTION

NO GRAPHIC AVAILABLE

75013702

REV  
A

**NO  
GRAPHIC  
AVAILABLE**

MODEL NUMBER DESCRIPTION

75012358

REV.  
A

*Example Model Number:*

**4 TUKL 5 2 4 A 1 0 N 0 A A**  
1 - - - - 5 - - - - 10 - - - - 15

**Digits 1 – Refrigerant**

4 = R410A

**Digit 2 – Brand Name**

T = Trane

**Digit 3 – System Type**

U = Universal Match Heat Pump

**Digit 4 – Configuration Type**

K = Outdoor Unit

**Digit 5 – Efficiency Tier and/or Special Application**

L = Low Ambient Cool

**Digit 6 – Series Number**

5 = Standard Model

**Digit 7,8 – Nominal Capacity(Btu/h \*1,000)**

18 = 18,000 Btu/h

24 = 24,000 Btu/h

30 = 30,000 Btu/h

36 = 36,000 Btu/h

**Digit 9 – Major Development Sequence**

A = First Development Sequence

**Digit 10 – Electric Power Supply Characteristics**

1 = 208-230/60/1

**Digit 11 – Reserved for Future Use**

0 = Not Currently Used

**Digit 12 – Region of Sale**

N = North America(UL or ETL)

**Digit 13 – Reserved for Future Use**

0 = Not Currently Used

**Digit 14 – Minor Design Sequence**

A = First Design Sequence

**Digit 15 – Service Digit (Not Used for Ordering)**

A = First Sequence

Part No.	Reference No.	Quantity	Description
75012358_4TUKUP2_251131~P	*		MODEL NUMBER DESCRIPTION PARTS LIST

MODEL NUMBER DESCRIPTION

75012358

REV.  
A

*Example Model Number:*

**4 TUKL 5 2 4 A 1 0 N 0 A A**  
1 - - - 5 - - - - 10 - - - - 15

**Digits 1 – Refrigerant**

4 = R410A

**Digit 2 – Brand Name**

T = Trane

**Digit 3 – System Type**

U = Universal Match Heat Pump

**Digit 4 – Configuration Type**

K = Outdoor Unit

**Digit 5 – Efficiency Tier and/or Special Application**

L = Low Ambient Cool

**Digit 6 – Series Number**

5 = Standard Model

**Digit 7,8 – Nominal Capacity(Btu/h \*1,000)**

18 = 18,000 Btu/h

24 = 24,000 Btu/h

30 = 30,000 Btu/h

36 = 36,000 Btu/h

**Digit 9 – Major Development Sequence**

A = First Development Sequence

**Digit 10 – Electric Power Supply Characteristics**

1 = 208-230/60/1

**Digit 11 – Reserved for Future Use**

0 = Not Currently Used

**Digit 12 – Region of Sale**

N = North America(UL or ETL)

**Digit 13 – Reserved for Future Use**

0 = Not Currently Used

**Digit 14 – Minor Design Sequence**

A = First Design Sequence

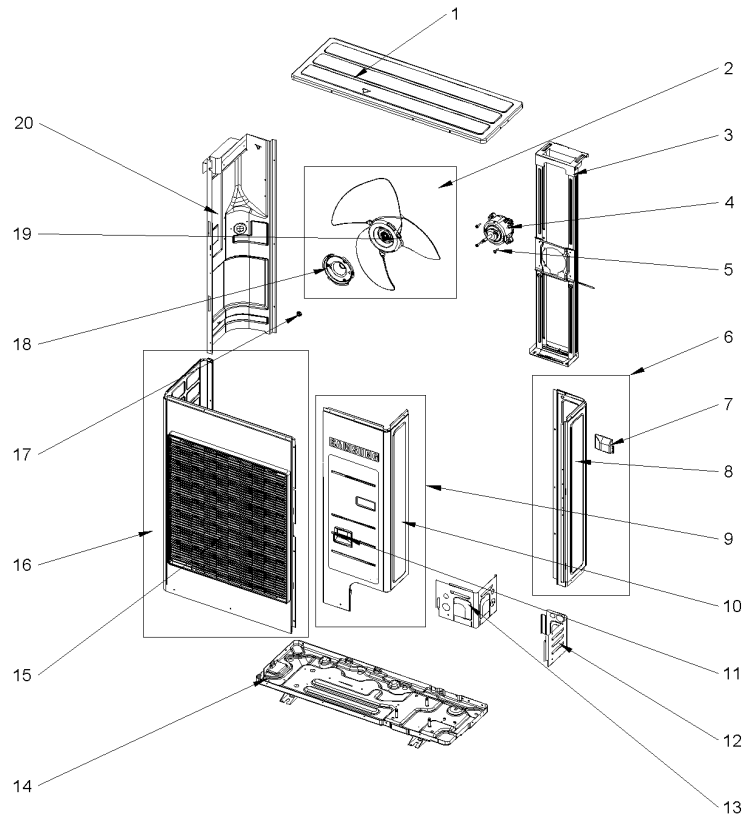
**Digit 15 – Service Digit (Not Used for Ordering)**

A = First Sequence

CABINET AND FAN ASSEMBLY

75012336

REV.  
A



All orderable Service Parts are identified for this product.

Parts that are not identified, will not be available to order.

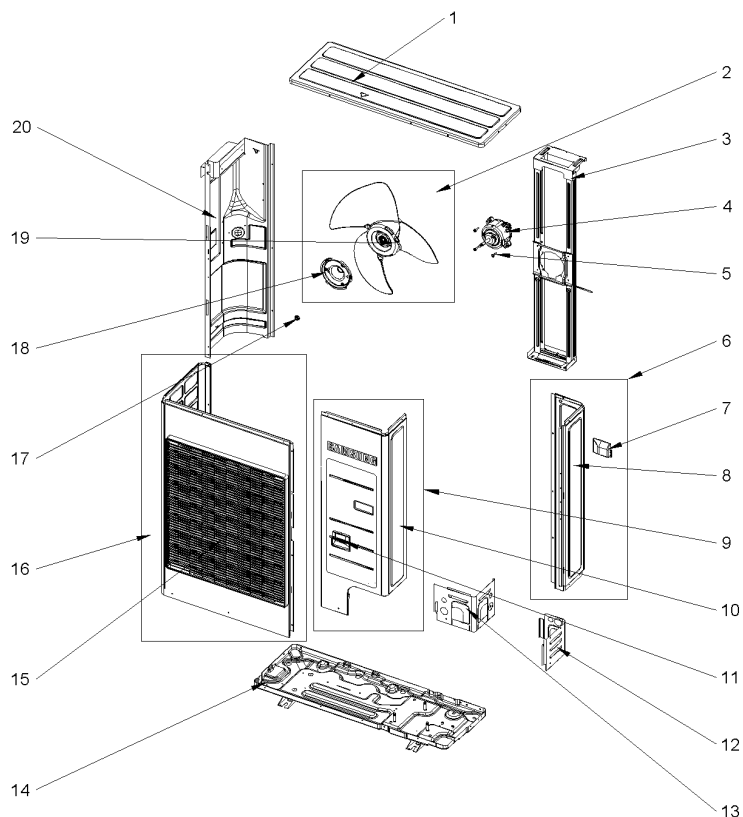
This is a typical illustration. The unit in the field may not appear exactly as shown.

Part No.	Reference No.	Quantity	Description
75012336_4TUKUP2_251127~P	*		CABINET AND FAN ASSEMBLY PARTS LIST

CABINET AND FAN ASSEMBLY

75012336

REV.  
A



All orderable Service Parts are identified for this product.

Parts that are not identified, will not be available to order.

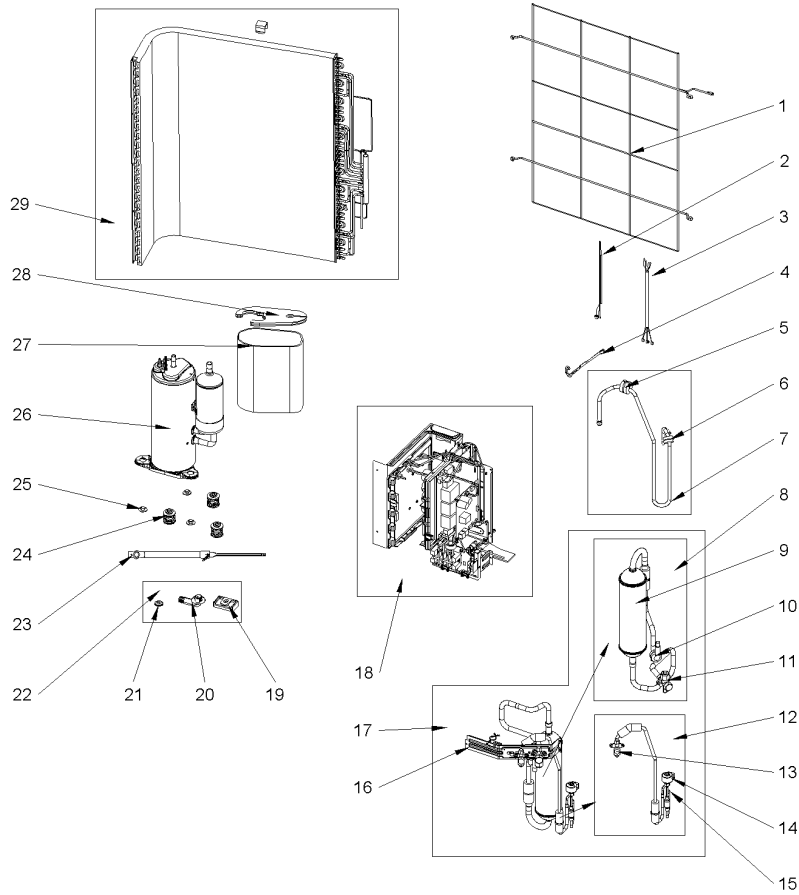
This is a typical illustration. The unit in the field may not appear exactly as shown.

Part No.	Reference No.	Quantity	Description
PNL29635	1	1	PANEL; TOP CABINET COVER WITH INSULATION, INSULATION NOT SOLD SEPARATELY
FAN06019	2	1	FAN; PROPELLOR ASSY
BRK04963	3	1	BRACKET; MOTOR BRACKET ASSY
MTR18383	4	1	MOTOR; FAN
SCR02503	5	4	SCREW; FAN MOUNTING
PNL35111	6	1	PANEL; CABINET BACK ASSY
HDL01251	7	1	HANDLE; RC140PHXEA, PP ,T2.5 ,EARTH BROWN HE
CBT01840	8	1	CABINET; BACK-RH;EGI-SECC,T0.8
PNL35112	9	1	PANEL; CABINET RIGHT COVER
CBT01841	10	1	CABINET; FRONT-RH;EGI-SECC,T0.8
HDL01251	11	1	HANDLE; RC140PHXEA, PP ,T2.5 ,EARTH BROWN HE
CBT01838	12	1	PANEL; CORNER LOWER BACK
CBT01837	13	1	PANEL; CORNER LOWER FRONT
BAS03070	14	1	BASE; ASSY
GRD01991	15	1	GUARD; FAN GUARD
PNL35113	16	1	PANEL; CABINET LEFT COVER
WAS01289	17	1	WASHER; FASTENER-WASHER;M8
COV05415	18	1	COVER; FAN PROPELLOR
FAN05503	19	1	BLADE; FAN BLADE ( NOTE LEFT HAND THREADED NUT NOT SUPPLIED )
PNL35307	20	1	PANEL; PARTITION

CONDENSER AND COMPRESSOR ASSEMBLY

75012339

REV.  
A



All orderable Service Parts are identified for this product.

Parts that are not identified, will not be available to order.

This is a typical illustration. The unit in the field may not appear exactly as shown.

Parts List Number :4TUKUP2#4TUKUP2

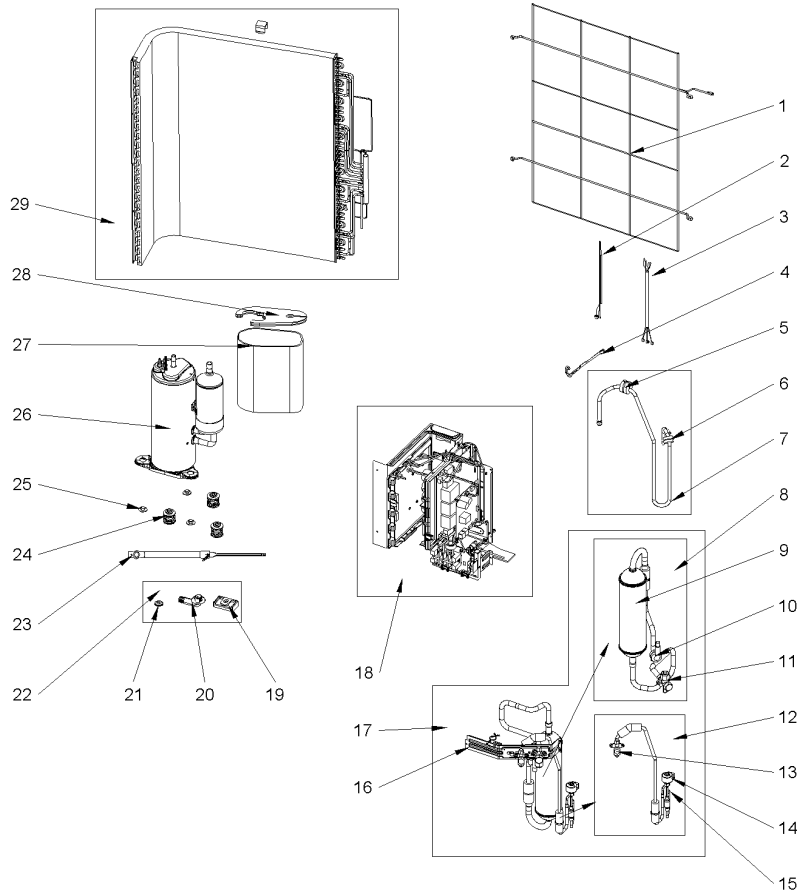
Model Number :4TUKL536A10N0AA

Part No.	Reference No.	Quantity	Description
75012339_4TUKUP2_251130~P	*		CONDENSER AND COMPRESSOR ASSEMBLY PARTS LIST

CONDENSER AND COMPRESSOR ASSEMBLY

75012339

REV.  
A



All orderable Service Parts are identified for this product.

Parts that are not identified, will not be available to order.

This is a typical illustration. The unit in the field may not appear exactly as shown.

Parts List Number :4TUKUP2#4TUKUP2

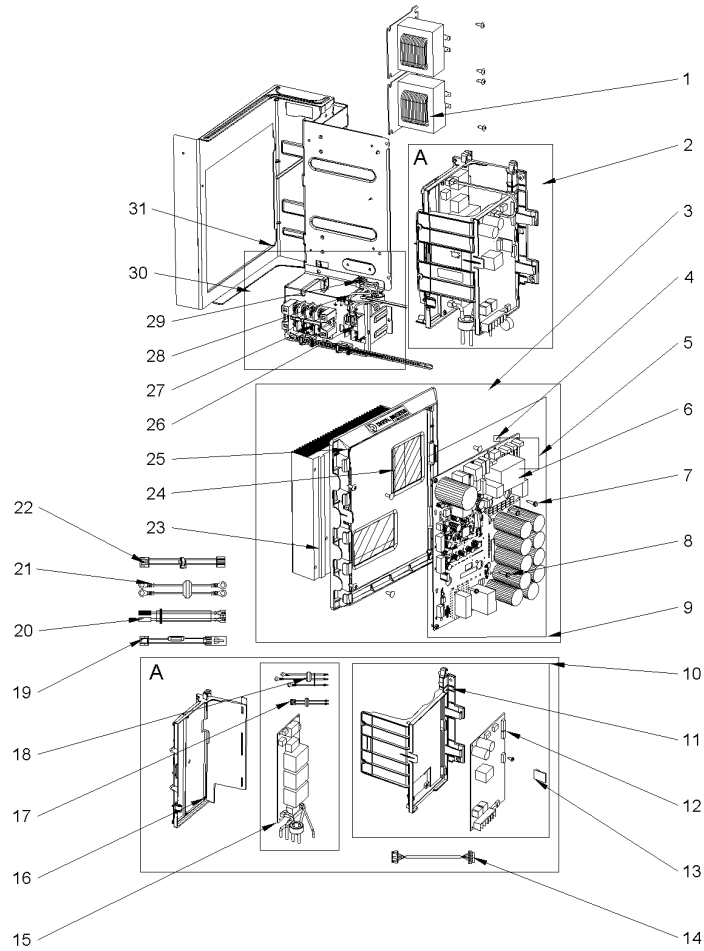
Model Number :4TUKL536A10N0AA

Part No.	Reference No.	Quantity	Description
GRD01992	1	1	GUARD; COIL GUARD
WIR07999	2	1	WIRE; HARNESS, SENSOR OUTDOOR, DISCHARGE, LIQUID, AND COMPRESSOR
WIR08974	3	1	WIRE; CONECTOR, COMP OUT
SPG01139	4	2	SPRING; THERMISTOR CLIP, ETC-SENSOR, DVM-SYSTEM,STS304,R2.5
ISR00272	5	1	WEIGHT RUBBER;NR,BLK,OD 15.88
ISR00296	6	1	ISOLATOR; RUBBER WEIGHT
TUB14731	7	1	TUBE; DISCHARGE ASSY
TUB14748	8	1	TUBE; SUCTION ASSY
ACC00324	9	1	ACCUMULATOR; SUCTION LINE
ISR00295	10	1	ISOLATOR; RUBBER WEIGHT
VAL12036	11	1	VALVE; SERVICE VALVE SUCTION
TUB14749	12	1	TUBE; EEV ASSY
VAL12038	13	1	VALVE; SERVICE VALVE, LIQUID LINE, 3/8
COL28167	14	1	COIL; EXPANSION
VAL18466	15	1	VALVE; EXPANSION
BRK04948	16	1	BRACKET; SERVICE VALVE MOUNTING BRACKET
TUB14747	17	1	TUBE; VALVE AND TUBE ASSY
CPN03598	18	1	CONTROL PANEL COMPLETE
SUP05992	19	4	SUPPORT; RUBBER-LEG ISOLATOR
FTG01354	20	1	PLUG; DRAIN-PLUG OUT
CAP01313	21	3	CAP; DRAIN
KIT18209	22	1	KIT; PACKING ACCESSORIES
HTR17406	23	1	HEATER; COMPRESSOR
ISR00292	24	1	ISOLATOR; COMPRESSOR
NUT01310	25	3	NUT; FLANGE;HWH,M8,ZPC(WHT),
COM12732	26	1	COMPRESSOR; R410A
INS03645	27	1	INSULATION; COMPRESSOR
INS03644	28	1	INSULATION; COMPRESSOR
COL28202	29	1	COIL; CONDENSER

CONTROL PANEL ASSEMBLY

75012337

REV.  
A



All orderable Service Parts are identified for this product.

Parts that are not identified, will not be available to order.

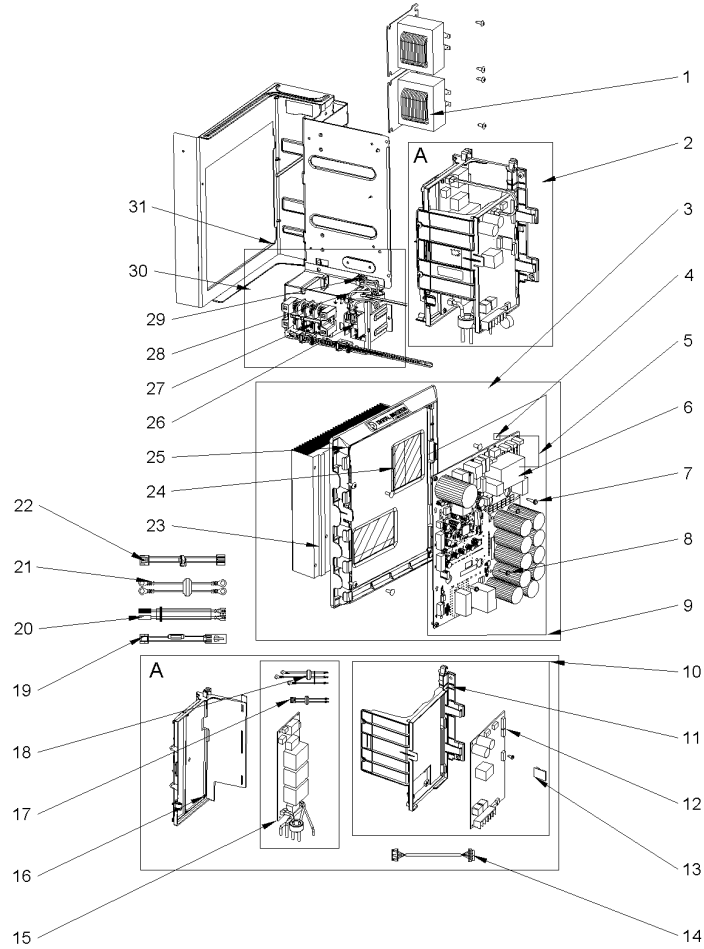
This is a typical illustration. The unit in the field may not appear exactly as shown.

Part No.	Reference No.	Quantity	Description
75012337_4TUKUP2_251128~P	*		CONTROL PANEL ASSEMBLY PARTS LIST

CONTROL PANEL ASSEMBLY

75012337

REV.  
A



All orderable Service Parts are identified for this product.

Parts that are not identified, will not be available to order.

This is a typical illustration. The unit in the field may not appear exactly as shown.

Part No.	Reference No.	Quantity	Description
COL28168	1	2	COIL; INVERTER REACTOR COIL
KIT18208	3	1	KIT; CONTROLS
BRD06241	4	1	BOARD; R-CHIP
BRD06239	5	1	BOARD; PCB AUTO
BRD06240	6	1	BOARD; PCB SMD
SCR02510	7	2	SCREW; ASS'Y-SCREW MACHINE;M3, L16
SCR02511	8	2	SCREW; ASS'Y-SCREW MACHINE;M3, L16
BRD06138	9	1	BOARD; MAIN BOARD INVERTER
PNL35308	10	1	PANEL; PCB COVER
BRK04601	11	1	BRACKET; MAIN PCB MOUNTING BRACKET, PLASTIC
BRD06137	12	1	BOARD; MAIN PCB
BRD04834	13	1	BOARD; EEPROM BOARD ASSEMBLY WITH EEPROM CHIP
WIR08977	14	1	WIRE; HARNESS COMM MAIN PBA
BRD05309	15	1	BOARD; EMI FILTER BOARD
BRK04602	16	1	BRACKET; EMI MOUNTING BRACKET, PLASTIC
WIR07975	17	1	WIRE; HARNESS, SINGLE PHASE EMI PBA TO TERMINAL BLOCK
WIR07976	18	1	WIRE; HARNESS,INV PBA TO SINGLE PHASE EMI PBA
WIR08970	19	1	WIRE; HEATER CONNECTOR
WIR08976	20	1	WIRE; HARNESS, REACTOR
WIR08978	21	1	WIRE; HARNESS, POWER
WIR07974	22	1	WIRE; HARNESS, POWER BETWEEN MAIN AND EMI FILTER BOARD
CNT07819	23	1	CONTROL; HEAT SINK
TOL04587	24	1	TOOL; GREASE-SILICON;TH1111,TOSHIBA
PNL35122	25	1	PANEL; PCB CASE
BLK01493	26	1	TERMINAL BLOCK; F1/F2
BLK01492	27	1	BLOCK; TERMINAL BLOCK MAIN POWER
WIR07978	28	1	WIRE; HARNESS GROUND FOR MAIN PCB BOARD
WIR07969	29	1	WIRE; HARNESS COMMUNICATION FROM PCB TO TERMINAL BLOCK
PNL35309	30	1	PANEL; CONTROLS
PNL35123	31	1	PANEL; CONTROL PANEL