

Part No.	Reference No.	Quantity	Description
4TUKUP2_4TUKUP2_251126~P	*		4TUKUP2 PARTS LIST
75012332#4TUKUP2~S	*		CABINET AND FAN ASSEMBLY
75012338#4TUKUP2~S	*		CONDENSER AND COMPRESSOR ASSEMBLY
75012333#4TUKUP2~S	*		KIT AND PACKING ACCESSORY ASSEMBLY
75012358#4TUKUP2~S	*		MODEL NUMBER DESCRIPTION

NO GRAPHIC AVAILABLE

75013702

REV
A

**NO
GRAPHIC
AVAILABLE**

MODEL NUMBER DESCRIPTION

75012358

REV.
A

Example Model Number:

4 TUKL 5 2 4 A 1 0 N 0 A A
1 - - - - 5 - - - - 10 - - - - 15

Digits 1 – Refrigerant

4 = R410A

Digit 2 – Brand Name

T = Trane

Digit 3 – System Type

U = Universal Match Heat Pump

Digit 4 – Configuration Type

K = Outdoor Unit

Digit 5 – Efficiency Tier and/or Special Application

L = Low Ambient Cool

Digit 6 – Series Number

5 = Standard Model

Digit 7,8 – Nominal Capacity(Btu/h *1,000)

18 = 18,000 Btu/h

24 = 24,000 Btu/h

30 = 30,000 Btu/h

36 = 36,000 Btu/h

Digit 9 – Major Development Sequence

A = First Development Sequence

Digit 10 – Electric Power Supply Characteristics

1 = 208-230/60/1

Digit 11 – Reserved for Future Use

0 = Not Currently Used

Digit 12 – Region of Sale

N = North America(UL or ETL)

Digit 13 – Reserved for Future Use

0 = Not Currently Used

Digit 14 – Minor Design Sequence

A = First Design Sequence

Digit 15 – Service Digit (Not Used for Ordering)

A = First Sequence

Part No.	Reference No.	Quantity	Description
75012358_4TUKUP2_251131~P	*		MODEL NUMBER DESCRIPTION PARTS LIST

MODEL NUMBER DESCRIPTION

75012358

REV.
A

Example Model Number:

4 TUKL 5 2 4 A 1 0 N 0 A A
1 - - - - 5 - - - - 10 - - - - 15

Digits 1 – Refrigerant

4 = R410A

Digit 2 – Brand Name

T = Trane

Digit 3 – System Type

U = Universal Match Heat Pump

Digit 4 – Configuration Type

K = Outdoor Unit

Digit 5 – Efficiency Tier and/or Special Application

L = Low Ambient Cool

Digit 6 – Series Number

5 = Standard Model

Digit 7,8 – Nominal Capacity(Btu/h *1,000)

18 = 18,000 Btu/h

24 = 24,000 Btu/h

30 = 30,000 Btu/h

36 = 36,000 Btu/h

Digit 9 – Major Development Sequence

A = First Development Sequence

Digit 10 – Electric Power Supply Characteristics

1 = 208-230/60/1

Digit 11 – Reserved for Future Use

0 = Not Currently Used

Digit 12 – Region of Sale

N = North America(UL or ETL)

Digit 13 – Reserved for Future Use

0 = Not Currently Used

Digit 14 – Minor Design Sequence

A = First Design Sequence

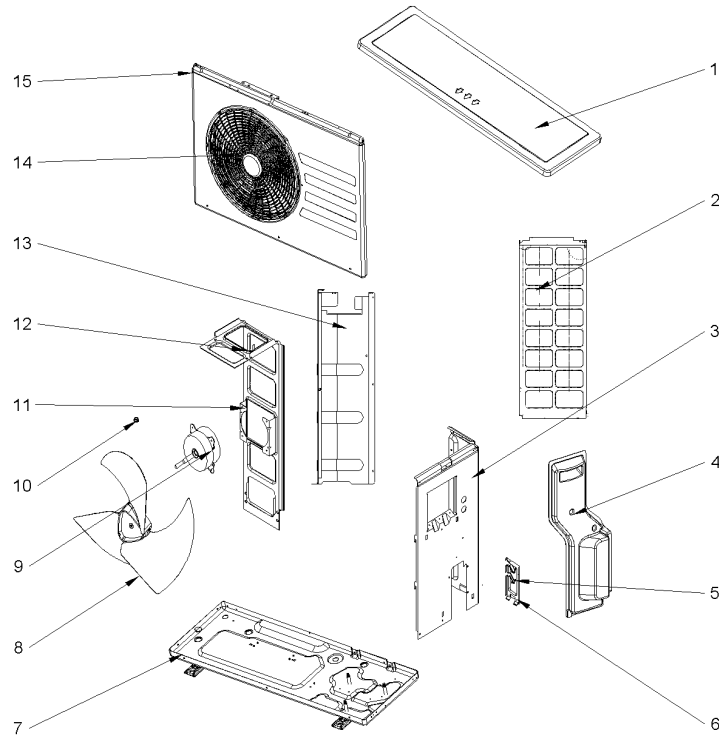
Digit 15 – Service Digit (Not Used for Ordering)

A = First Sequence

CABINET AND FAN ASSEMBLY

75012332

REV
A



All orderable Service Parts are identified for this product.

Parts that are not identified, will not be available to order.

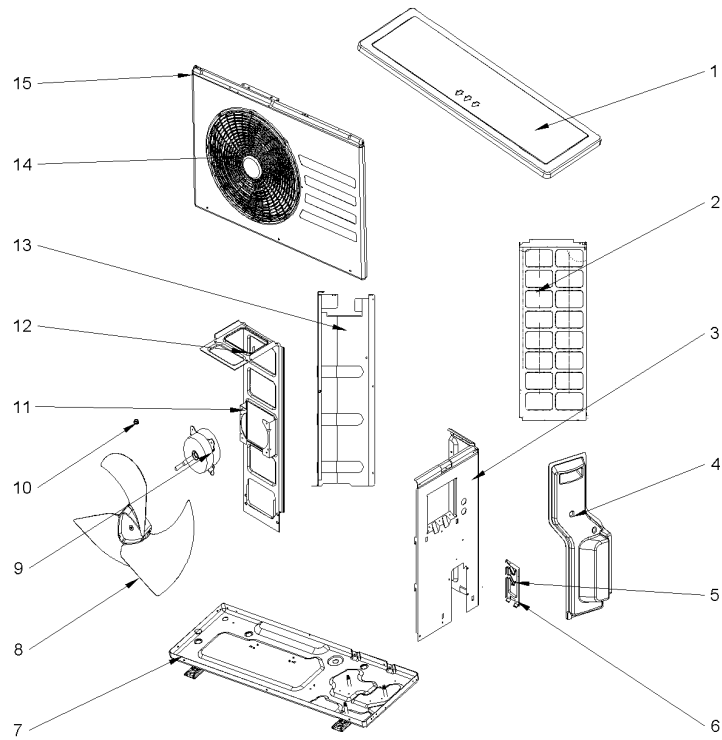
This is a typical illustration. The unit in the field may not appear exactly as shown.

Part No.	Reference No.	Quantity	Description
75012332_4TUKUP2_301916~P	*		CABINET AND FAN ASSEMBLY PARTS LIST

CABINET AND FAN ASSEMBLY

75012332

REV
A



All orderable Service Parts are identified for this product.

Parts that are not identified, will not be available to order.

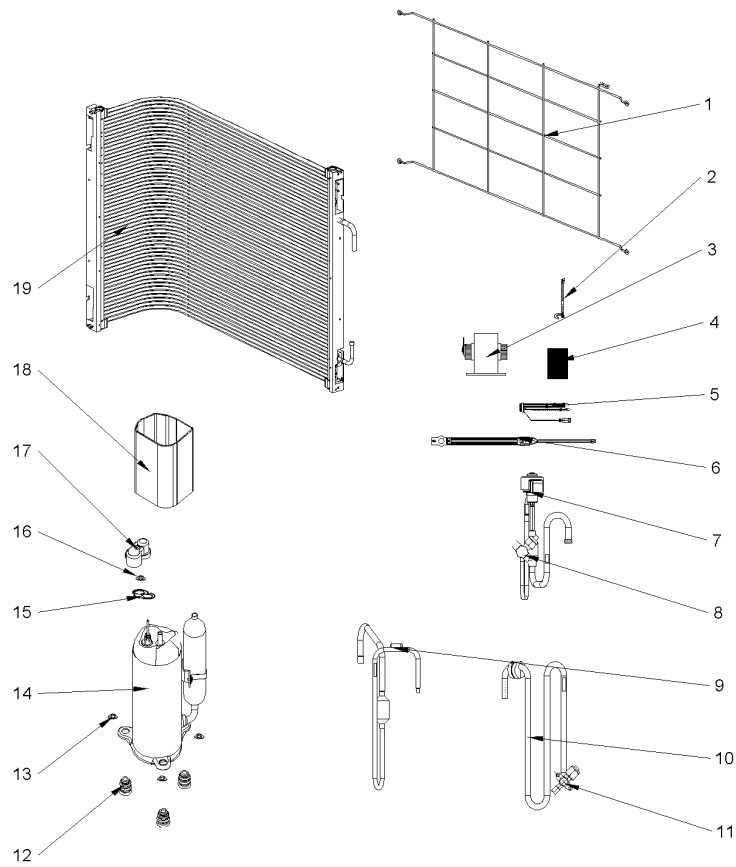
This is a typical illustration. The unit in the field may not appear exactly as shown.

Part No.	Reference No.	Quantity	Description
PNL32616	1	1	PANEL; TOP CABINET COVER WITH INSULATION - INSULATION NOT SOLD SEPARATELY
PNL35104	2	1	PANEL; CABINET LEFT COVER
PNL35105	3	1	PANEL; CABINET RIGHT COVER
PNL35106	4	1	PANEL; CONTROL COVER
BRK04947	6	1	BRACKET; SERVICE VALVE MOUNTING BRACKET
BAS03068	7	1	BASE; ASSY
BLD01345	8	1	BLADE; FAN BLADE
MTR18382	9	1	MOTOR; FAN
WAS01289	10	1	WASHER; FASTENER-WASHER;M8
BRK04961	11	1	BRACKET; MOTOR BRACKET
BRK04960	12	1	BRACKET; MOTOR BRACKET ASSY
PNL32691	13	1	PANEL; ASSY PARTITION;RJ052F3HXEA
GRD01989	14	1	GUARD; FAN GUARD
PNL35107	15	1	PANEL; FRONT CABINET PANEL COVER

CONDENSER AND COMPRESSOR ASSEMBLY

75012338

REV.
A



All orderable Service Parts are identified for this product.

Parts that are not identified, will not be available to order.

This is a typical illustration. The unit in the field may not appear exactly as shown.

Parts List Number :4TUKUP2#4TUKUP2

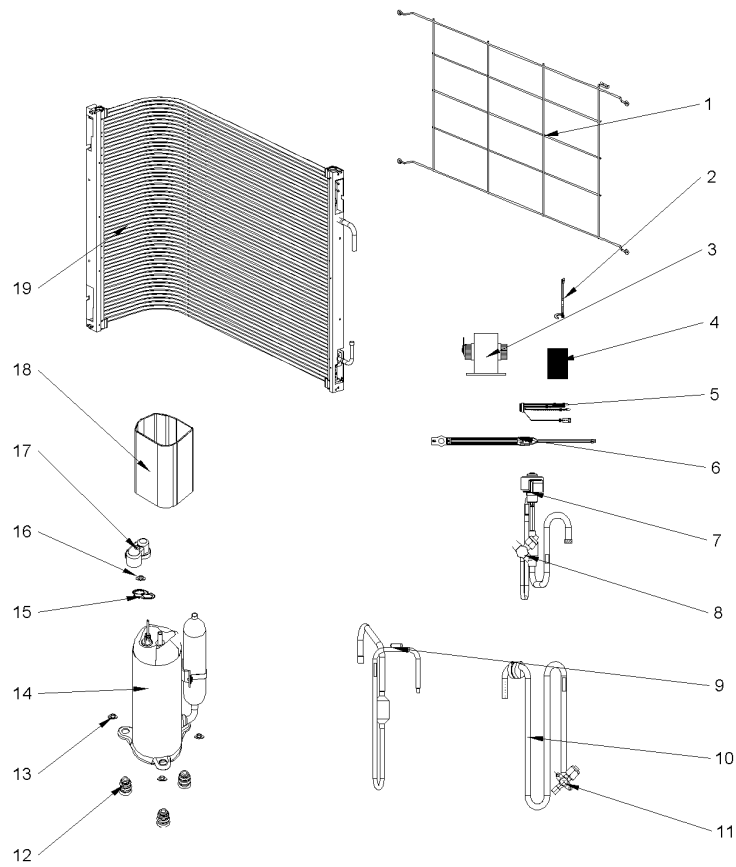
Model Number :4TUKL518A10N0AA

Part No.	Reference No.	Quantity	Description
75012338_4TUKUP2_301919~P	*		CONDENSER AND COMPRESSOR ASSEMBLY PARTS LIST

CONDENSER AND COMPRESSOR ASSEMBLY

75012338

REV.
A



All orderable Service Parts are identified for this product.

Parts that are not identified, will not be available to order.

This is a typical illustration. The unit in the field may not appear exactly as shown.

Parts List Number :4TUKUP2#4TUKUP2

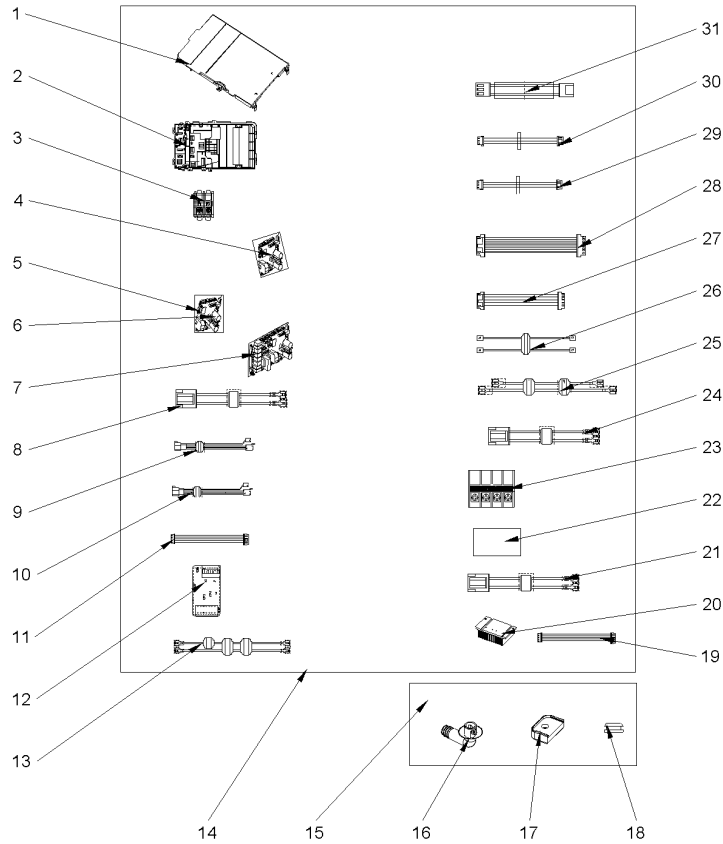
Model Number :4TUKL518A10N0AA

Part No.	Reference No.	Quantity	Description
GRD01988	1	1	GUARD; COIL GUARD
SPG01139	2	2	SPRING; THERMISTOR CLIP, ETC-SENSOR, DVM-SYSTEM,STS304,R2.5
COL25667	3	1	COIL; INVERTER REACTOR COIL
BRD06135	4	1	BOARD; EEPROM ASSY
WIR08000	5	1	SENSOR; TEMPERATURE, DISCHARGE, LIQUID AND OUTDOOR AIR SENSOR
HTR17405	6	1	HEATER; COMPRESSOR
TUB14723	7	1	TUBE; EEV ASSEMBLY
VAL12046	8	1	VALVE; SERVICE;1/4 INCH ,R410A , FLARE
TUB14725	9	1	TUBE; DISCHARGE ASSY
TUB14724	10	1	TUBE; SUCTION ASSEMBLY
VAL12047	11	1	VALVE; SERVICE-SPINDLE;1/2 INCH,R410A, FLARE
ISR00294	12	3	ISOLATOR; COMPRESSOR
NUT01310	13	3	NUT; FLANGE;HWH,M8,ZPC(WHT),
COM12729	14	1	COMPRESSOR;
GKT04811	15	1	GASKET;A/C MODEL,SIR,T1.2
NUT01309	16	1	NUT;HEXAGON FLANGE;M5,ZPC(WHT),SWRCH10A,
COV04976	17	1	COVER; COMPRESSOR TERMINAL CONNECTION
INS03643	18	1	INSULATION; COMPRESSOR
COL28200	19	1	COIL; CONDENSER

KIT AND PACKING ACCESSORY ASSEMBLY

75012333

REV.
A



All orderable Service Parts are identified for this product.

Parts that are not identified, will not be available to order.

This is a typical illustration. The unit in the field may not appear exactly as shown.

Parts List Number :4TUKUP2#4TUKUP2

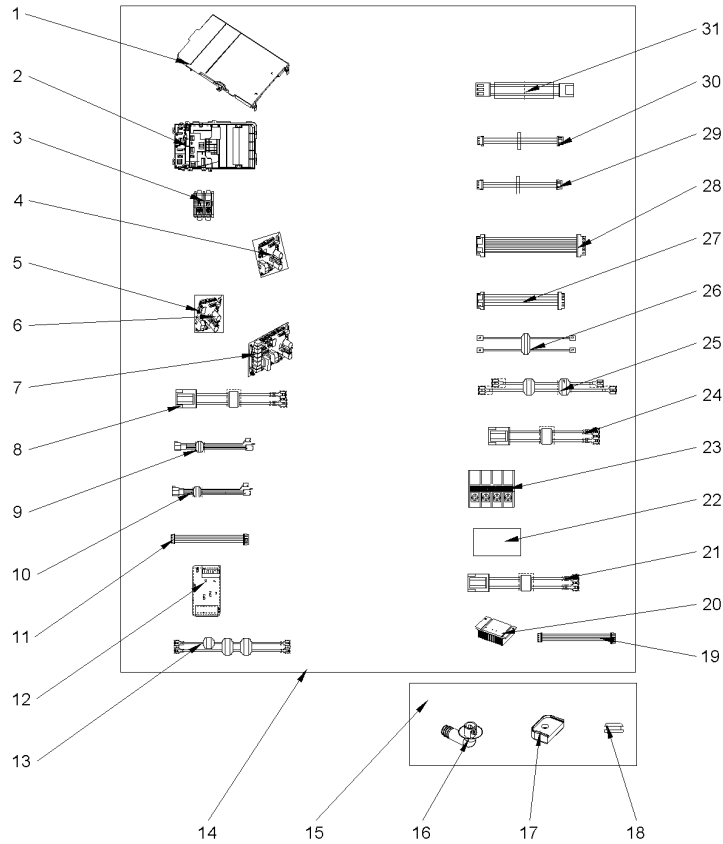
Model Number :4TUKL518A10N0AA

Part No.	Reference No.	Quantity	Description
75012333_4TUKUP2_301917~P	*		KIT AND PACKING ACCESSORY ASSEMBLY PARTS LIST

KIT AND PACKING ACCESSORY ASSEMBLY

75012333

REV.
A



All orderable Service Parts are identified for this product.

Parts that are not identified, will not be available to order.

This is a typical illustration. The unit in the field may not appear exactly as shown.

Part No.	Reference No.	Quantity	Description
PNL32617	1	1	COVER; CONTROL BOX UPPER
PNL32618	2	1	BOX; CONTROL BOX BASE LOWER
TER01720	3	1	TERMINAL; BLOCK
BRD06132	4	1	BOARD; SMPS PCB
RLY03753	5	1	POWER RELAY; COMPONENT OF INVERTER BOARD
BRD06133	6	1	BOARD; MAIN PCB
CNT07503	7	1	BOARD; SUB PCB BOARD DISPLAY
WIR08964	8	1	WIRE; MOTOR
WIR07983	9	1	WIRE HARNESS; COMPRESSOR (EXTENDS COMPRESSOR WIRE TO THE MAIN INVERTER BOARD)
WIR08969	10	2	WIRE; HARNESS, GROUND
WIR08970	11	1	WIRE; HEATER CONNECTOR
BRD04834	12	1	BOARD; EEPROM BOARD ASSEMBLY WITH EEPROM CHIP
WIR07991	13	1	WIRE HARNESS; MAIN INVERTER BOARD TO REACTOR
KIT18207	14	1	KIT; CONTROLS
KIT18205	15	1	KIT; ACCESSORY
PLU01277	16	1	PLUG; DRAIN-PLUG OUT
SUP06269	17	4	SUPPORT; RUBBER-LEG ISOLATOR
CAP01313	18	5	CAP; DRAIN
WIR08973	19	1	WIRE; CONEECTOR, COMP OUT
CNT07818	20	1	CONTROL; HEAT SINK
WIR08972	21	1	WIRE; CONNECTOR, DC SIGNAL
BRD06134	22	1	BOARD; SUB PCB BOARD DISPLAY
BLK01493	23	1	TERMINAL BLOCK; F1/F2
WIR08422	24	1	WIRE; F1, F2 COMMUNICATION, (RED AND BLUE CN31)
WIR07985	25	1	WIRE HARNESS; 10 PIN RIBBON CABLE, DISPLAY BOARD TO MAIN INVERTER BOARD, WHITE CONNECTOR
WIR07993	26	1	CONNECTOR; WIRE TERMINAL BLOCK
WIR07987	27	1	WIRE HARNESS; 3 WIRE FROM MAIN INVERTER BOARD TO SMPS BOARD, RED CONNECTOR
WIR07989	28	1	WIRE HARNESS; DISPLAY, 10 PIN CABLE , DISPLAY BOARD TO MAIN INVERTER BOARD, BLACK CONNECTOR
WIR07990	29	1	WIRE; 5 PIN RIBBON CABLE, DISPLAY TO MAIN INVERTER BOARD
WIR07988	30	1	WIRE HARNESS; 3 WIRE FROM MAIN INVERTER BOARD TO SMPS BOARD, BLUE CONNECTOR
WIR08971	31	1	WIRE; HARNESS, POWER