

Part No.	Reference No.	Quantity	Description
4TUKUP1_4TUKUP1_178281~P	*		4TUKUP1 PARTS LIST
75011332#4TUKUP1~S	*		ACCESSORY BAG KITS
75011067#4TUKUP1~S	*		ADDITIONAL CONTROLS, WIRES & MISC. PARTS
75010988#4TUKUP1~S	*		ASSY CABINET PARTS
75010996#4TUKUP1~S	*		ASSY COMPRESSOR & TUBE PARTS
75010997#4TUKUP1~S	*		ASSY CONDENSER PARTS
75011060#4TUKUP1~S	*		ASSY CONTROL PARTS
75010994#4TUKUP1~S	*		ASSY FAN PARTS
75010986#4TUKUP1~S	*		OUTDOOR NOMENCLATURE

NO GRAPHIC AVAILABLE

75013702

REV
A

**NO
GRAPHIC
AVAILABLE**

MODEL NUMBER DESCRIPTION

75010986

REV.
A

Outdoor C-Series U-Match Heat Pump Single Ref Circuit Mini-Split

Example Model Number:

4 TUK4518A10N0AA
1 - - - 5 - - - - 10 - - - - 15

Digits 1 – Refrigerant

4 = R-410a

Digit 2 – Brand Name

T = Trane

Digit 3 – System Type

U = C-Series (Universal Match) Heat Pump

Digit 4 – Functional Type Outdoor Unit

K = Single Refrigerant Circuit Mini-Split

Digit 5 – Efficiency Tier

4 = Standard

Digit 6 – Connection Type

5 = Flare

Digit 7, 8 – Nominal Capacity (Btu/h x 1,000)

18 = 18,000 Btu/h

24 = 24,000 Btu/h

30 = 30,000 Btu/h

36 = 36,000 Btu/h

42 = 42,000 Btu/h

48 = 48,000 Btu/h

Digit 9 – Major Development Sequence

A = First Development Sequence

B = Second Development Sequence

Digit 10 – Electric Power Supply Characteristics

1 = 208-230/60/1

Digit 11 – Reserved for Future Use

0 = Standard

Digit 12 – Miscellaneous Digit

N = North America Market (Mini-Split Models)

Digit 13 – Reserved for Future Use

0 = Standard

Digit 14 – Minor Design Sequence

A = First Design Sequence

B = Second Design Sequence

Digit 15 – Service Digit (Not Used for Ordering)

A = First Sequence

B = Second Sequence

Part No.	Reference No.	Quantity	Description
75010986_4TUKUP1_187906~P	*		OUTDOOR NOMENCLATURE PARTS LIST

MODEL NUMBER DESCRIPTION

75010986

REV.
A

Outdoor C-Series U-Match Heat Pump Single Ref Circuit Mini-Split

Example Model Number:

4 TUK4518A10N0AA
1 - - - 5 - - - - 10 - - - - 15

Digits 1 – Refrigerant

4 = R-410a

Digit 2 – Brand Name

T = Trane

Digit 3 – System Type

U = C-Series (Universal Match) Heat Pump

Digit 4 – Functional Type Outdoor Unit

K = Single Refrigerant Circuit Mini-Split

Digit 5 – Efficiency Tier

4 = Standard

Digit 6 – Connection Type

5 = Flare

Digit 7, 8 – Nominal Capacity (Btu/h x 1,000)

18 = 18,000 Btu/h

24 = 24,000 Btu/h

30 = 30,000 Btu/h

36 = 36,000 Btu/h

42 = 42,000 Btu/h

48 = 48,000 Btu/h

Digit 9 – Major Development Sequence

A = First Development Sequence

B = Second Development Sequence

Digit 10 – Electric Power Supply Characteristics

1 = 208-230/60/1

Digit 11 – Reserved for Future Use

0 = Standard

Digit 12 – Miscellaneous Digit

N = North America Market (Mini-Split Models)

Digit 13 – Reserved for Future Use

0 = Standard

Digit 14 – Minor Design Sequence

A = First Design Sequence

B = Second Design Sequence

Digit 15 – Service Digit (Not Used for Ordering)

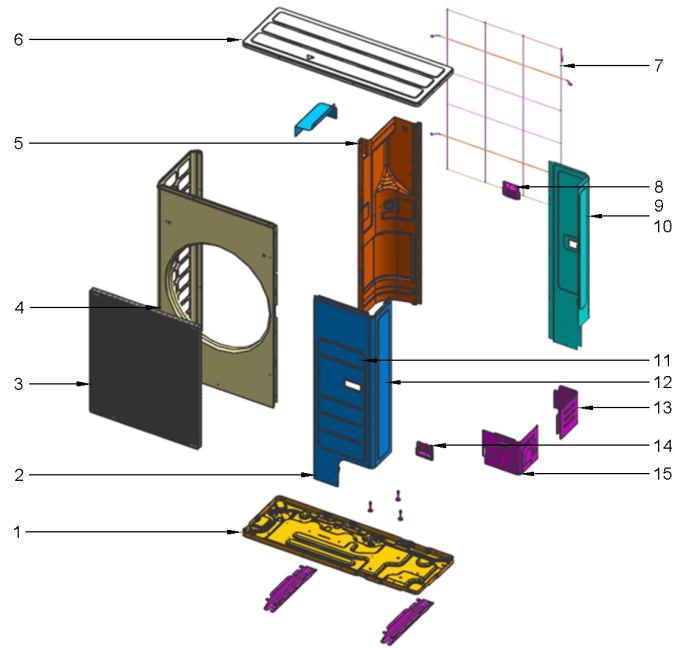
A = First Sequence

B = Second Sequence

OUTDOOR C-SER U-MATCH HEAT PUMPS
2 & 2.5 TON ASSY CABINET PARTS

75010988

REV.
A



All orderable Service Parts are identified for this product.

Parts that are not identified, will not be available to order.

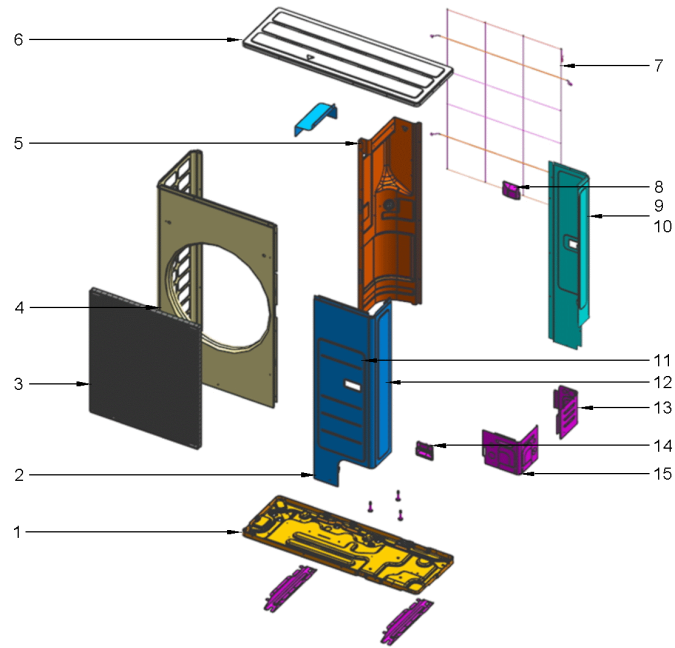
This is a typical illustration. The unit in the field may not appear exactly as shown.

Part No.	Reference No.	Quantity	Description
75010988_4TUKUP1_350148~P	*		ASSY CABINET PARTS

OUTDOOR C-SER U-MATCH HEAT PUMPS
2 & 2.5 TON ASSY CABINET PARTS

75010988

REV.
A



All orderable Service Parts are identified for this product.

Parts that are not identified, will not be available to order.

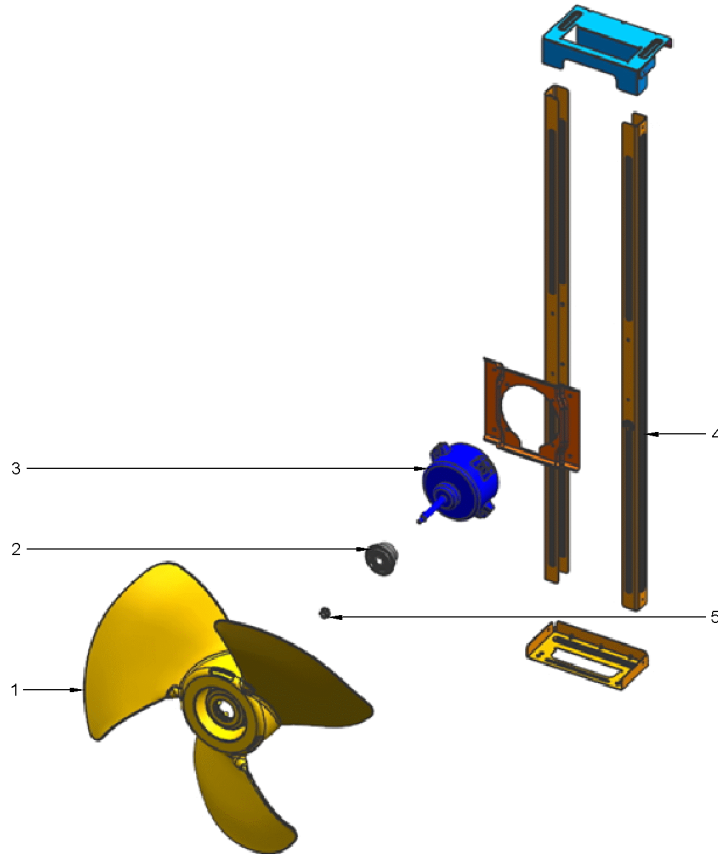
This is a typical illustration. The unit in the field may not appear exactly as shown.

Part No.	Reference No.	Quantity	Description
BAS02753	1	1	BASE; ASSY BASE OUT
PNL32612	2	1	PANEL; FRONT CABINET PANEL COVER WITH INSULATION, INSULATION NOT SOLD SEPARATELY
GRD01929	3	1	GUARD; FAN GUARD
KIT17799	4	1	KIT; ASSY CABI FRONT-LF
PNL32692	5	1	PANEL; ASSY PARTITION
PNL29635	6	1	PANEL; TOP CABINET COVER WITH INSULATION, INSULATION NOT SOLD SEPARATELY
GRD01930	7	1	GUARD; COIL GUARD
HDL01251	8	1	HANDLE; RC140PHXEA, PP ,T2.5 ,EARTH BROWN HE
CBT01840	9	1	CABINET; BACK-RH;EGI-SECC,T0.8
PNL32611	10	1	PANEL; REAR CORNER CABINET WITH HANDLE WITH INSULATION, INSULATION NOT SOLD SEPARATELY
LBL00442	11	1	LABEL; LOGO-TRANE
CBT01841	12	1	CABINET; FRONT-RH;EGI-SECC,T0.8
CBT01838	13	1	PANEL; CORNER LOWER BACK
HDL01251	14	1	HANDLE; RC140PHXEA, PP ,T2.5 ,EARTH BROWN HE
CBT01837	15	1	PANEL; CORNER LOWER FRONT

OUTDOOR C-SER U-MATCH HEAT PUMPS
2 & 2.5 TON ASSY FAN PARTS

75010994

REV.
A



All orderable Service Parts are identified for this product.

Parts that are not identified, will not be available to order.

This is a typical illustration. The unit in the field may not appear exactly as shown.

Parts List Number :4TUKUP1#4TUKUP1

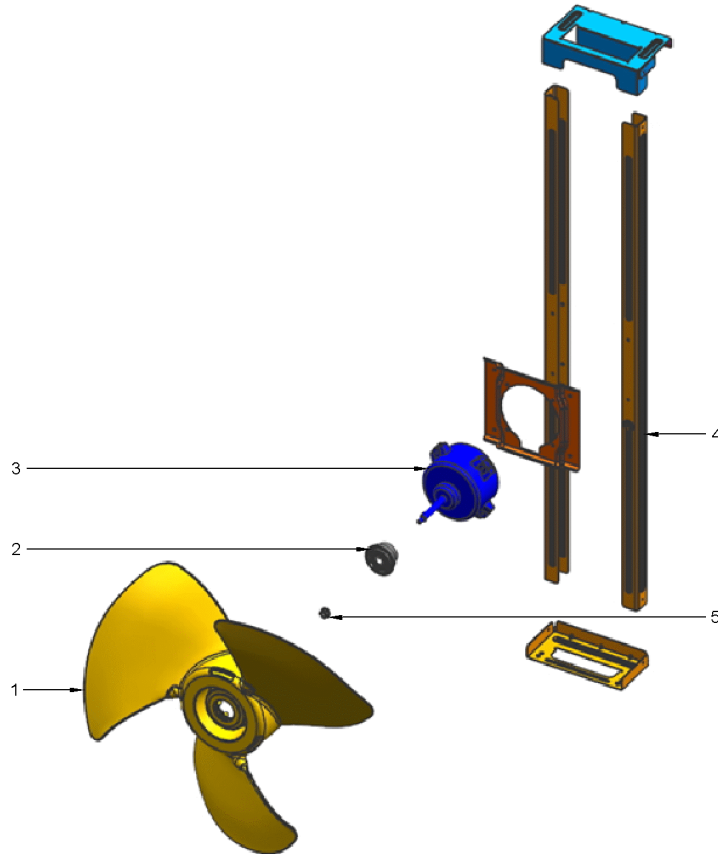
Model Number :4TUK4530A10N0AA

Part No.	Reference No.	Quantity	Description
75010994_4TUKUP1_250233~P	*		ASSY FAN PARTS

OUTDOOR C-SER U-MATCH HEAT PUMPS
2 & 2.5 TON ASSY FAN PARTS

75010994

REV.
A



All orderable Service Parts are identified for this product.

Parts that are not identified, will not be available to order.

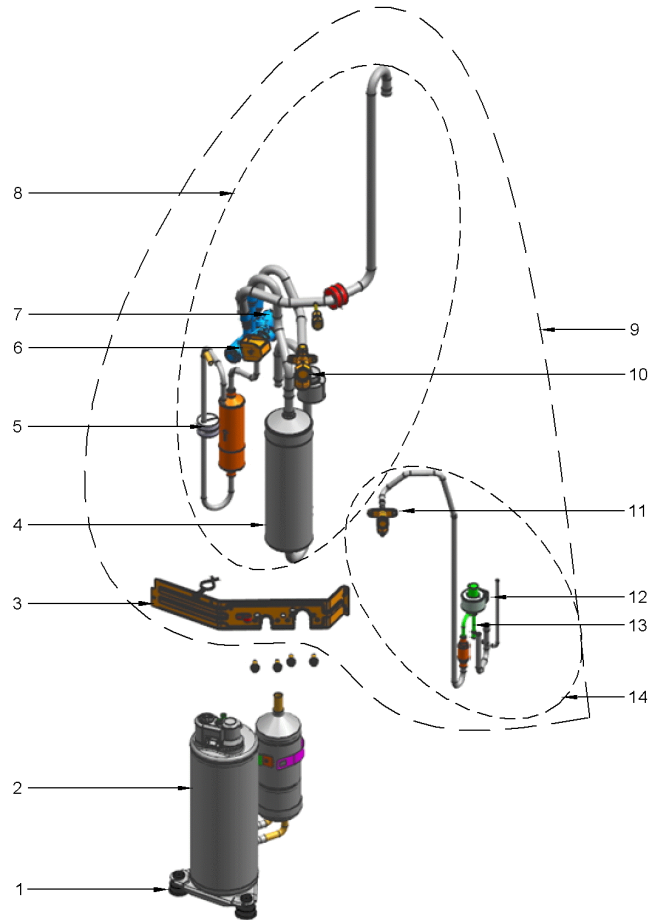
This is a typical illustration. The unit in the field may not appear exactly as shown.

Part No.	Reference No.	Quantity	Description
FAN05503	1	1	BLADE; FAN BLADE (NOTE LEFT HAND THREADED NUT NOT SUPPLIED)
SCR02503	2	4	SCREW; FAN MOUNTING
MOT15321	3	1	MOTOR; FAN MOTOR WITH VIBRATION ISOLATION GROMMETS, DC 310V 125W 0.48 AMPS , LEFT HAND THREADED NUT NOT SUPPLIED
BRK04609	4	1	BRACKET; ASSY BRACKET MOTOR
WAS01289	5	1	WASHER; FASTENER-WASHER;M8

OUTDOOR C-SER U-MATCH HEAT PUMPS
2 & 2.5 TON ASSY COMPRESSOR & TUBE PARTS

75010996

REV
A



All orderable Service Parts are identified for this product.

Parts that are not identified, will not be available to order.

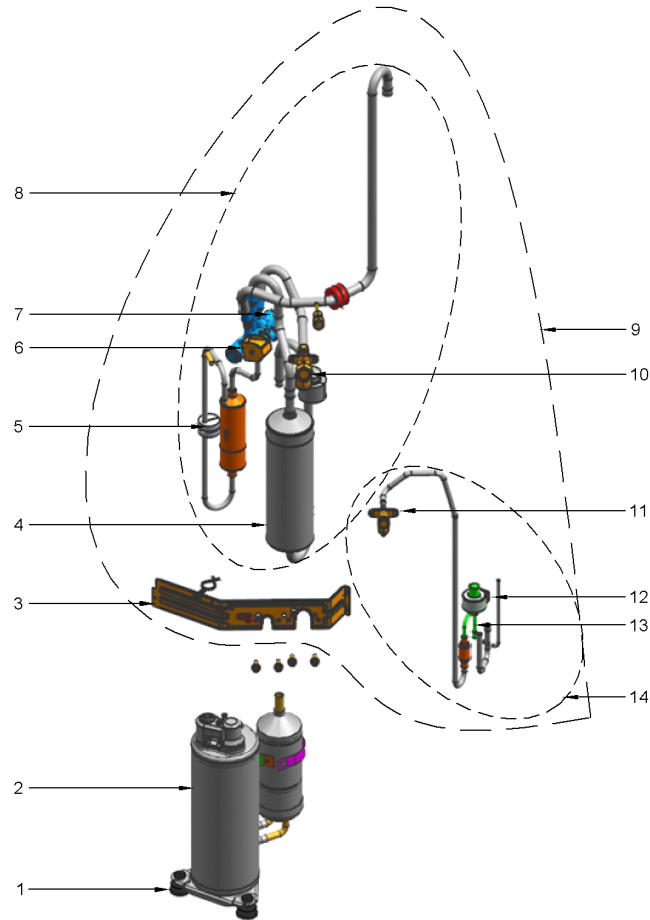
This is a typical illustration. The unit in the field may not appear exactly as shown.

Part No.	Reference No.	Quantity	Description
75010996_4TUKUP1_350149~P	*		ASSY COMPRESSOR & TUBE PARTS

OUTDOOR C-SER U-MATCH HEAT PUMPS
2 & 2.5 TON ASSY COMPRESSOR & TUBE PARTS

75010996

REV
A



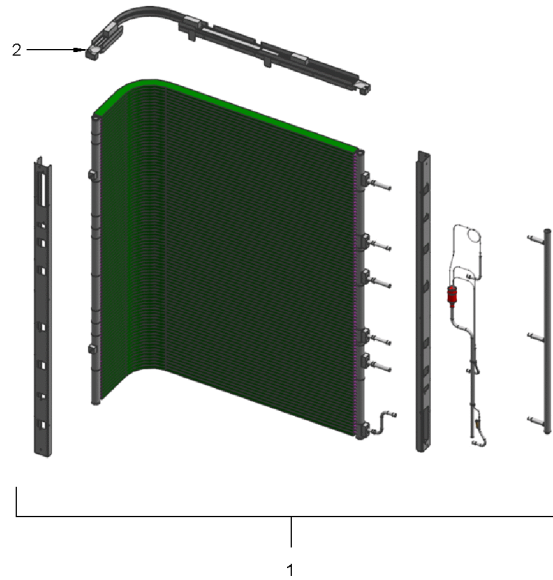
All orderable Service Parts are identified for this product.
Parts that are not identified, will not be available to order.
This is a typical illustration. The unit in the field may not appear exactly as shown.

Part No.	Reference No.	Quantity	Description
NUT01310	1	3	NUT; FLANGE;HWH,M8,ZPC(WHT),
COM11964	2	1	COMPRESSOR - NOTE: IF COMPRESSOR FAILS UNDER WARRANTY REPLACE ENTIRE UNIT
BRK04610	3	1	BRACKET; ASSY BRACKET-VALVE;T1.2, UB
ACC00324	4	1	ACCUMULATOR; SUCTION LINE
ISR00272	5	1	WEIGHT RUBBER;NR,BLK,OD 15.88
COL25666	6	1	VALVE; 4 WAY VALVE COIL
VAL12042	7	1	VALVE-4WAY;3.5HP, COMMON
TUB14069	8	1	TUBE; ASSY TUBE 4WAY;AC024JXADCH/AA
TUB14068	9	1	TUBE; ASSY TUBE-VALVE
VAL12036	10	1	VALVE; SERVICE VALVE SUCTION
VAL12038	11	1	VALVE; SERVICE VALVE, LIQUID LINE, 3/8
VAL12037	12	1	VALVE; EXPANSION EEV VALVE BODY
VAL12045	13	1	VALVE; EEV COIL VALVE
TUB14070	14	1	TUBE; ASSY TUBE EEV;AC071HCAPKH/EU

OUTDOOR C-SER U-MATCH HEAT PUMPS
2 & 2.5 TON ASSY CONDENSER PARTS

75010997

REV.
A



All orderable Service Parts are identified for this product.

Parts that are not identified, will not be available to order.

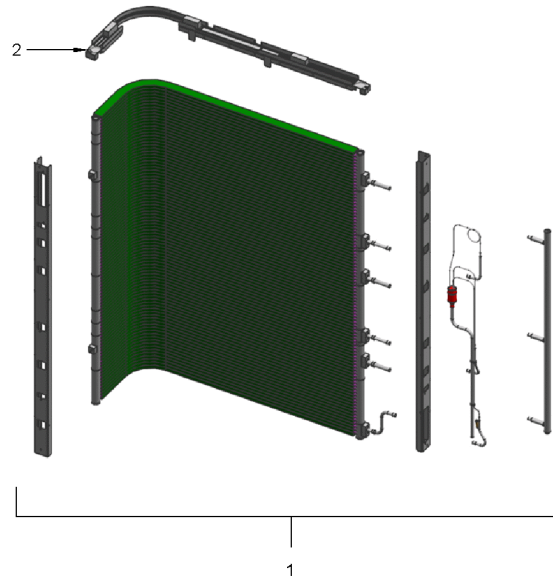
This is a typical illustration. The unit in the field may not appear exactly as shown.

Part No.	Reference No.	Quantity	Description
75010997_4TUKUP1_250235~P	*		ASSY CONDENSER PARTS

OUTDOOR C-SER U-MATCH HEAT PUMPS
2 & 2.5 TON ASSY CONDENSER PARTS

75010997

REV.
A



All orderable Service Parts are identified for this product.

Parts that are not identified, will not be available to order.

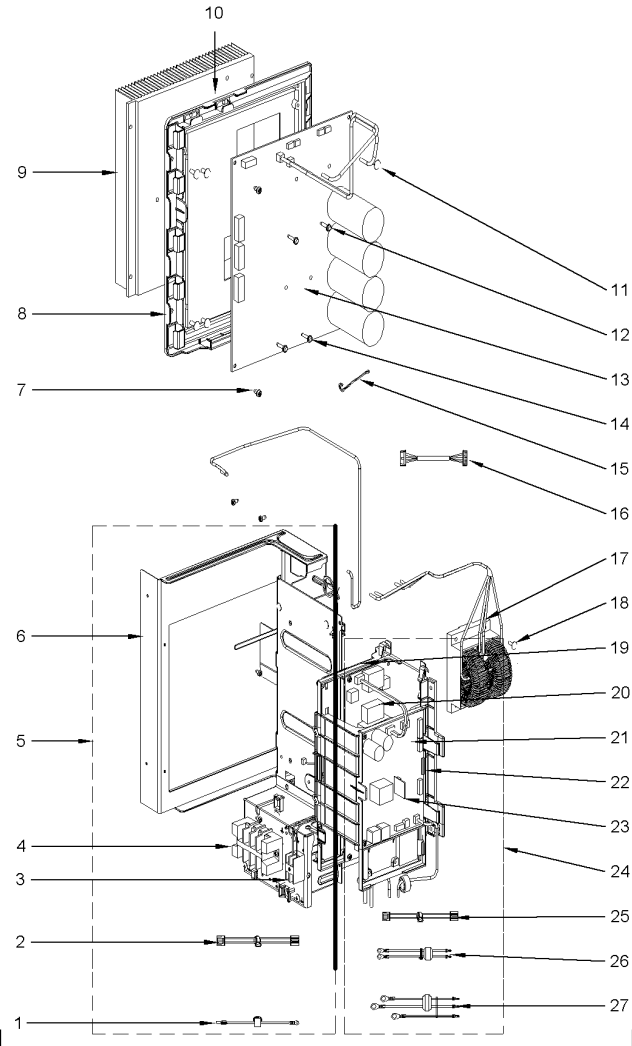
This is a typical illustration. The unit in the field may not appear exactly as shown.

Part No.	Reference No.	Quantity	Description
COL25722	1	1	COIL; IF COIL FAILS REPLACE ENTIRE UNIT
SUP05998	2	1	SUPPORT; ASSY COIL TOP SUPPORT

OUTDOOR C-SER U-MATCH HEAT PUMPS
2.0, 2.5, 3.0, 3.5 & 4 TON ASSY CONTROL PARTS

75011060

REV.
A



All orderable Service Parts are identified for this product.

Parts that are not identified, will not be available to order.

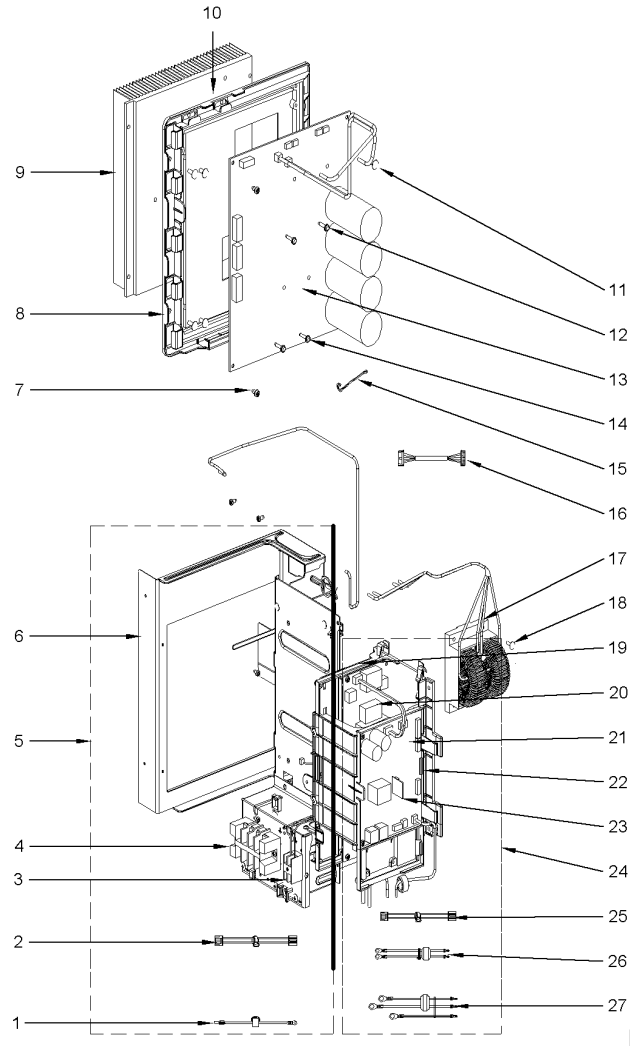
This is a typical illustration. The unit in the field may not appear exactly as shown.

Part No.	Reference No.	Quantity	Description
75011060_4TUKUP1_250236~P	*		ASSY CONTROL PARTS

OUTDOOR C-SER U-MATCH HEAT PUMPS
2.0, 2.5, 3.0, 3.5 & 4 TON ASSY CONTROL PARTS

75011060

REV.
A



All orderable Service Parts are identified for this product.

Parts that are not identified, will not be available to order.

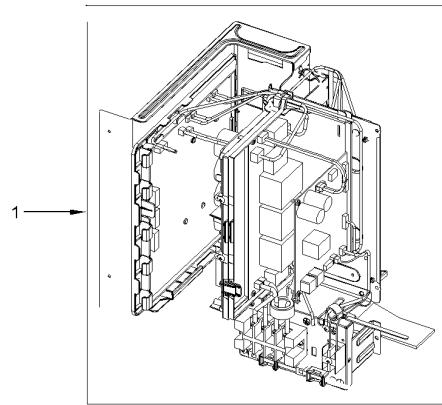
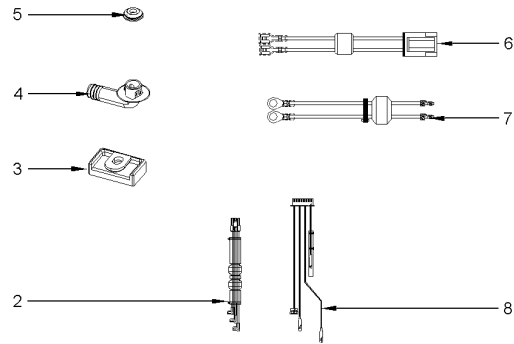
This is a typical illustration. The unit in the field may not appear exactly as shown.

Part No.	Reference No.	Quantity	Description
WIR07978	1	1	WIRE; HARNESS GROUND FOR MAIN PCB BOARD
WIR07974	2	1	WIRE; HARNESS, POWER BETWEEN MAIN AND EMI FILTER BOARD
BLK01493	3	1	TERMINAL BLOCK; F1/F2
BLK01492	4	1	BLOCK; TERMINAL BLOCK MAIN POWER
CNT07521	5	1	CONTROL; ASS'Y CONTROL OUT;ASSY, SINGLE PHASE
CAS02072	6	1	CASE; ASS'Y CASE CONTROL OUT
SCR02508	7	2	SCREW;TAPPING;PH,M4,L8
BRK04603	8	1	BRACKET; INVERTOR, BLACK PLASTIC
CNT07520	9	1	CONTROL; HEAT SINK-1PHASE 30A;AL, 1PHASE/ CONTROL BOX
TOL04587	10	7	TOOL; GREASE-SILICON;TH1111,TOSHIBA
SCR02507	11	4	SCREW;MACHINE;TH,M4,L10
SCR02510	12	2	SCREW; ASS'Y-SCREW MACHINE;M3, L16
BRD05306	13	1	BOARD; MAIN PCB INVERTER BOARD
SCR02511	14	2	SCREW; ASS'Y-SCREW MACHINE;M3, L16
SPG01139	15	2	SPRING; THERMISTOR CLIP, ETC-SENSOR, DVM-SYSTEM,STS304,R2.5
WIR07977	16	1	WIRE; HARNESS, MAIN TO INVERTER
CNT07504	17	1	CONTROL; INVERTOR REACTOR, SINGLE PHASE 30 AMP
SCR02509	18	4	SCREW; TAPPING;TH,M4,L12
BRK04602	19	1	BRACKET; EMI MOUNTING BRACKET, PLASTIC
BRD05309	20	1	BOARD; EMI FILTER BOARD
BRD05308	21	1	BOARD; MAIN PCB BOARD
BRK04601	22	1	BRACKET; MAIN PCB MOUNTING BRACKET, PLASTIC
BRD04834	23	1	BOARD; EEPROM BOARD ASSEMBLY WITH EEPROM CHIP
CAS02071	24	1	CASE; ASS'Y CASE-PCB;ASSY, SINGLE PHASE
WIR07974	25	1	WIRE; HARNESS, POWER BETWEEN MAIN AND EMI FILTER BOARD
WIR07975	26	1	WIRE; HARNESS, SINGLE PHASE EMI PBA TO TERMINAL BLOCK
WIR07976	27	1	WIRE; HARNESS,INV PBA TO SINGLE PHASE EMI PBA

OUTDOOR C-SER U-MATCH HEAT PUMPS
2.0, 2.5, 3.0, 3.5 & 4.0 TON MISCELLANEOUS PARTS

75011067

REV.
A



All orderable Service Parts are identified for this product.

Parts that are not identified, will not be available to order.

This is a typical illustration. The unit in the field may not appear exactly as shown.

Parts List Number :4TUKUP1#4TUKUP1

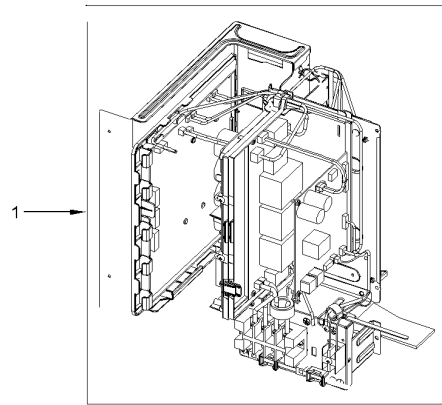
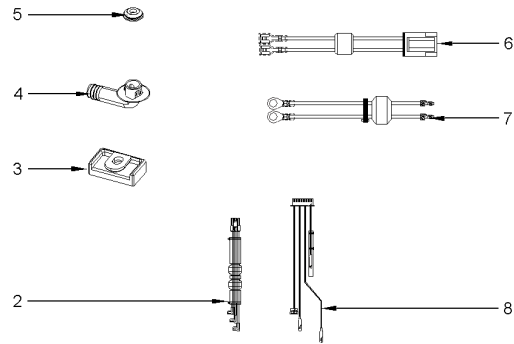
Model Number :4TUK4530A10N0AA

Part No.	Reference No.	Quantity	Description
75011067_4TUKUP1_250237~P	*		ADDITIONAL CONTROLS, WIRES & MISC. PARTS

OUTDOOR C-SER U-MATCH HEAT PUMPS
2.0, 2.5, 3.0, 3.5 & 4.0 TON MISCELLANEOUS PARTS

75011067

REV.
A



All orderable Service Parts are identified for this product.

Parts that are not identified, will not be available to order.

This is a typical illustration. The unit in the field may not appear exactly as shown.

Parts List Number :4TUKUP1#4TUKUP1

Model Number :4TUK4530A10N0AA

Part No.	Reference No.	Quantity	Description
KIT17800	1	1	KIT; ASSY KIT;OUTDOOR,PF#4-1 / COMPLETE CONTROL BOX ASSY
WIR07979	2	1	WIRE HARNESS; SENSOR OUTDOOR, DISCHARGE, LIQUID AND COMPRESSOR
SUP05992	3	4	SUPPORT; RUBBER-LEG ISOLATOR
FTG01354	4	2	PLUG; DRAIN-PLUG OUT
CAP01313	5	5	CAP; DRAIN
WIR07969	6	1	WIRE: HARNESS COMMUNICATION FROM PCB TO TERMINAL BLOCK
WIR07970	7	1	WIRE: HARNESS; POWER
WIR07999	8	1	WIRE; HARNESS, SENSOR OUTDOOR, DISCHARGE, LIQUID, AND COMPRESSOR

ACCESSORIES

75011332

REV.
A

BAG KITS

Accessory Bag Kits Contain:

1. Drain Adapter.
2. Rubber Washers.
3. Insulation Wraps.
4. Plastic Ties.

All orderable Service Parts are identified for this product.

Parts that are not identified, will not be available to order.

This is a typical illustration. The unit in the field may not appear exactly as shown.

Part No.	Reference No.	Quantity	Description
75011332_4TUKUP1_187929~P	*		ACCESSORY BAG KITS PARTS LIST

ACCESSORIES

75011332

REV.
A

BAG KITS

Accessory Bag Kits Contain:

1. Drain Adapter.
2. Rubber Washers.
3. Insulation Wraps.
4. Plastic Ties.

All orderable Service Parts are identified for this product.

Parts that are not identified, will not be available to order.

This is a typical illustration. The unit in the field may not appear exactly as shown.

Part No.	Reference No.	Quantity	Description
KIT17954	*	1	KIT; ACCESSORY BAG