

Part No.	Reference No.	Quantity	Description
4TUKUP3_4TUKUP3_417094~P	*		4TUKUP3 PARTS LIST
75012311#4TUKUP3~S	*		CABINET AND FAN ASSEMBLY
75012312#4TUKUP3~S	*		CONDENSER AND COMPRESSOR ASSEMBLY
75012279#4TUKUP3~S	*		KIT ASSEMBLY
75012280#4TUKUP3~S	*		MODEL NUMBER DESCRIPTION

NO GRAPHIC AVAILABLE

75013702

REV
A

**NO
GRAPHIC
AVAILABLE**

MODEL NUMBER DESCRIPTION	75012280	REV. A
C-SERIES ODU HP 1TON		
<i>Example Model Number:</i> 4 TUK 4 5 1 2 A 1 0 N 0 A A <small>1 - - - - 5 - - - - 10 - - - - 15</small>		
Digit 1 – Refrigerant 4 = R-410A		
Digit 2 – Brand Name T = Mini-split Outdoor Unit		
Digit 3 – System Type U = Universal Match Heat Pump		
Digit 4 – Configuration Type K = Heat Pump		
Digit 5 – Family 4 = Standard Model		
Digit 6 – Series Number 5 = Standard Model		
Digit 7,8 – Nominal Capacity(Btu/h *1,000) 12 = 12,000		
Digit 9 – Major Development Sequence A = First Development Sequence		
Digit 10 – Electric Power Supply Characteristics 1 = 208-230/60/1		
Digit 11 – Reserve for Future Use 0 = Not Currently Used		
Digit 12 – Region of Sale N = North America (UL or ETL)		
Digit 13 – Reserve for Future Use 0 = Not Currently Used		
Digit 14 – Minor Design Sequence A = First Design Sequence		
Digit 15 – Service Digit (Not Used for Ordering) A = First Sequence		
1 of 1		

Part No.	Reference No.	Quantity	Description
75012280_4TUKUP3_417096~P	*		MODEL NUMBER DESCRIPTION PARTS LIST

MODEL NUMBER DESCRIPTION

75012280

REV.
A

C-SERIES ODU HP 1TON

Example Model Number:

4 TUK 4 5 1 2 A 1 0 N 0 A A
1 - - - - 5 - - - - 10 - - - - 15

Digit 1 – Refrigerant

4 = R-410A

Digit 2 – Brand Name

T = Mini-split Outdoor Unit

Digit 3 – System Type

U = Universal Match Heat Pump

Digit 4 – Configuration Type

K = Heat Pump

Digit 5 – Family

4 = Standard Model

Digit 6 – Series Number

5 = Standard Model

Digit 7,8 – Nominal Capacity(Btu/h *1,000)

12 = 12,000

Digit 9 – Major Development Sequence

A = First Development Sequence

Digit 10 – Electric Power Supply Characteristics

1 = 208-230/60/1

Digit 11 – Reserve for Future Use

0 = Not Currently Used

Digit 12 – Region of Sale

N = North America (UL or ETL)

Digit 13 – Reserve for Future Use

0 = Not Currently Used

Digit 14 – Minor Design Sequence

A = First Design Sequence

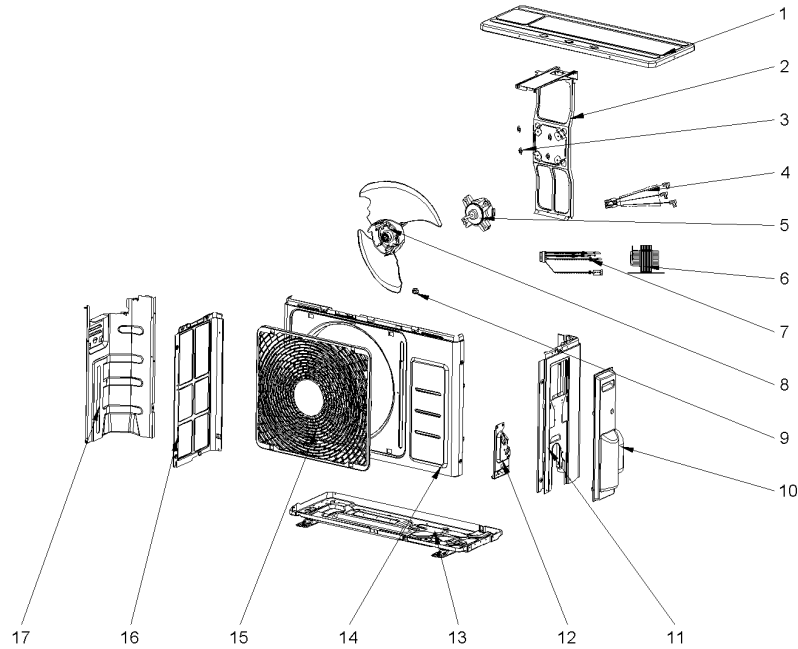
Digit 15 – Service Digit (Not Used for Ordering)

A = First Sequence

CABINET AND FAN ASSEMBLY

75012311

REV.
A



All orderable Service Parts are identified for this product.

Parts that are not identified, will not be available to order.

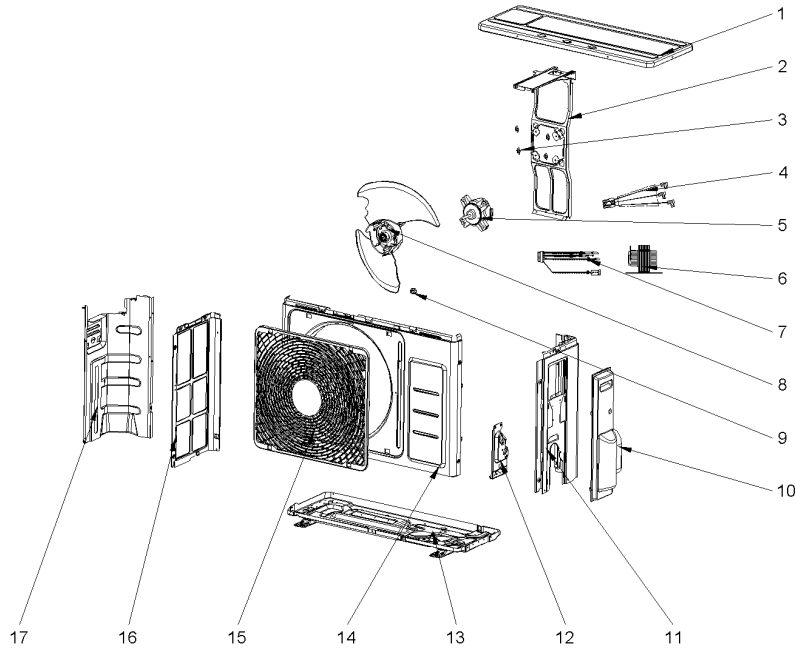
This is a typical illustration. The unit in the field may not appear exactly as shown.

Part No.	Reference No.	Quantity	Description
75012311_4TUKUP3_417097~P	*		CABINET AND FAN ASSEMBLY PARTS LIST

CABINET AND FAN ASSEMBLY

75012311

REV.
A



All orderable Service Parts are identified for this product.

Parts that are not identified, will not be available to order.

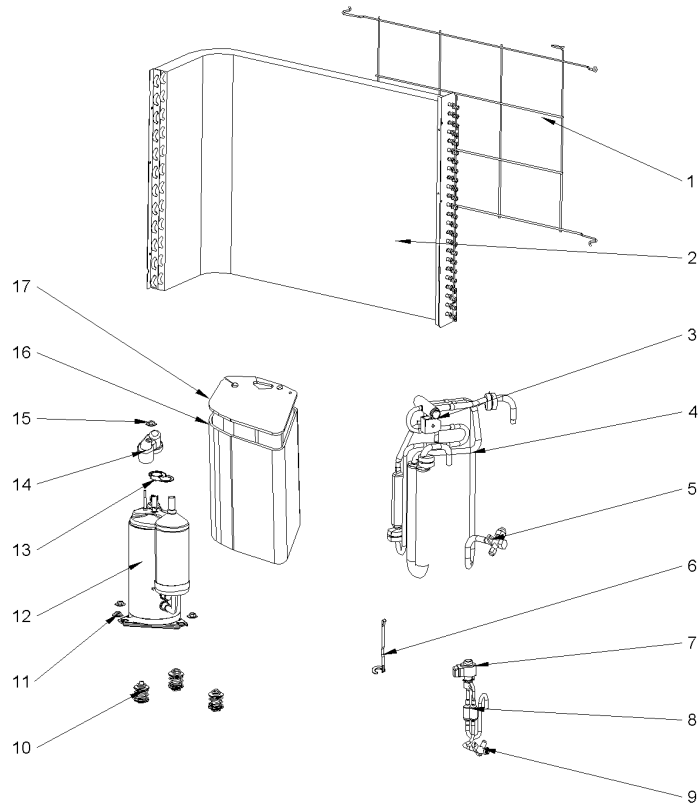
This is a typical illustration. The unit in the field may not appear exactly as shown.

Part No.	Reference No.	Quantity	Description
PNL35035	1	1	PANEL; TOP CABINET COVER WITH INSULATION - INSULATION NOT SOLD SEPARATELY
BRK04958	2	1	BRACKET; MOTOR
SCR02611	3	4	SCREW; SPECIAL
WIR08937	4	1	WIRE; CONNECTOR ASSEMBLY
MOT18347	5	1	MOTOR; FAN MOTOR WITH VIBRATION ISOLATION GROMMETS
COL28111	6	1	COIL; INVERTER REACTOR COIL
SEN02654	7	1	SENSOR; TEMPERATURE, DISCHARGE, LIQUID AND OUTDOOR AIR SENSOR
BLD01334	8	1	BLADE; FAN BLADE
CON01879	9	1	CONNECTOR ; FASTENER-NUT FLANGE;SWRCH10A
PNL35037	10	1	PANEL; OUTER CABINET VALVE CONNECTION COVER
PNL35036	11	1	PANEL; CABINET RIGHT COVER
BRK04927	12	1	BRACKET; SERVICE VALVE MOUNTING BRACKET
BAS03066	13	1	BASE; ASSY BASE OUT
PNL35034	14	1	PANEL; FRONT CABINET PANEL COVER
GRD01985	15	1	GUARD; FAN GUARD
PNL35038	16	1	PANEL; CABINET LEFT COVER
PNL35296	17	1	PANEL; ASSY PARTITION

CONDENSER AND COMPRESSOR ASSEMBLY

75012312

REV.
A



All orderable Service Parts are identified for this product.

Parts that are not identified, will not be available to order.

This is a typical illustration. The unit in the field may not appear exactly as shown.

Parts List Number :4TUKUP3#4TUKUP3

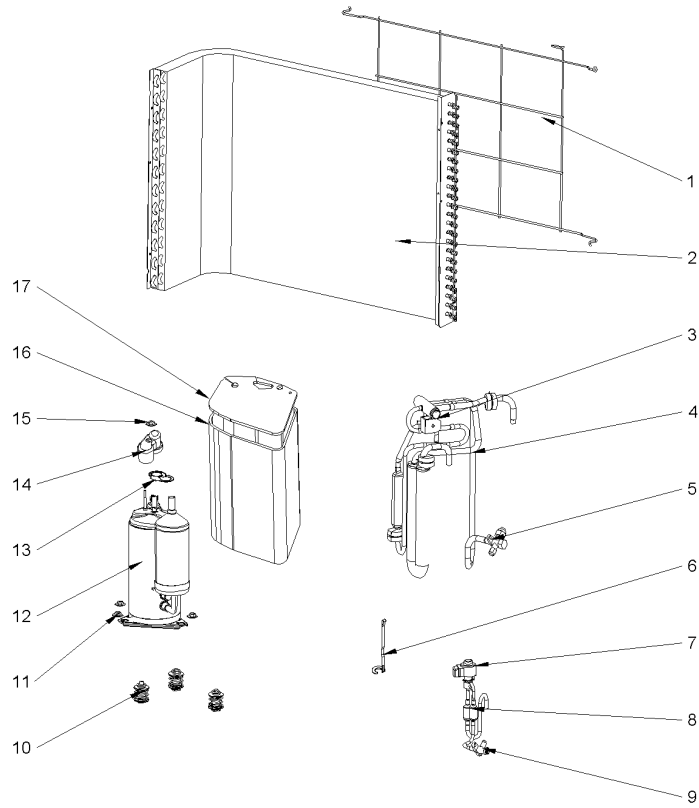
Model Number :4TUK4512A10N0AA

Part No.	Reference No.	Quantity	Description
75012312_4TUKUP3_417098~P	*		CONDENSER AND COMPRESSOR ASSEMBLY PARTS LIST

CONDENSER AND COMPRESSOR ASSEMBLY

75012312

REV.
A



All orderable Service Parts are identified for this product.

Parts that are not identified, will not be available to order.

This is a typical illustration. The unit in the field may not appear exactly as shown.

Parts List Number :4TUKUP3#4TUKUP3

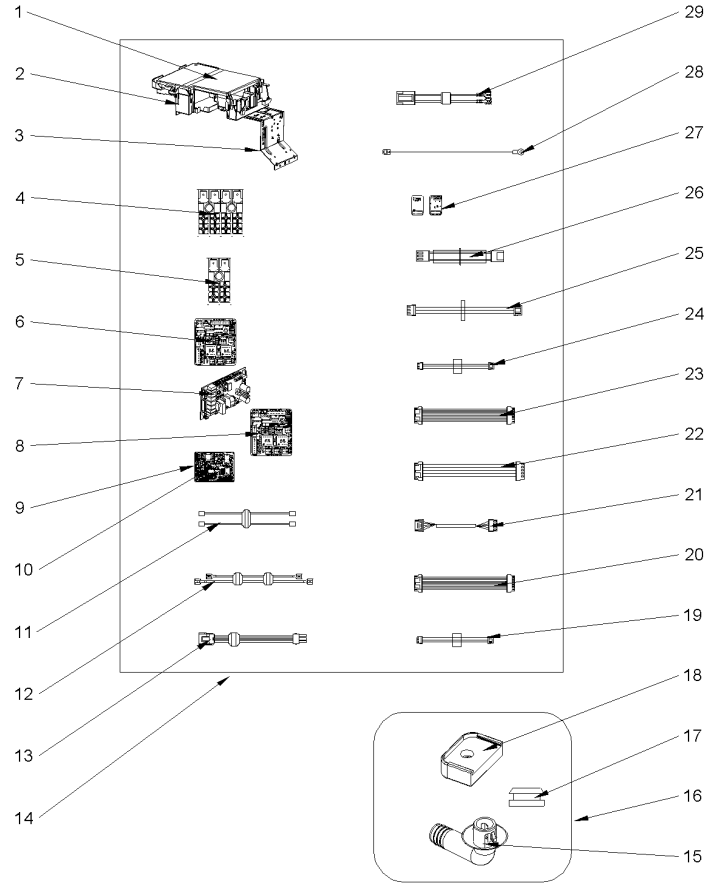
Model Number :4TUK4512A10N0AA

Part No.	Reference No.	Quantity	Description
GRD01986	1	1	GUARD; COIL GUARD
COL28182	2	1	COIL; ASSY COND
VAL18420	3	1	VALVE; SOLENOID COIL
TUB14660	4	1	TUBE; ASSY TUBE 4WAY-VALVE
VAL18419	5	1	VALVE; SERVICE-SPINDLE
SPG01139	6	2	SPRING; THERMISTOR CLIP, ETC-SENSOR, DVM-SYSTEM,STS304,R2.5
VAL18422	7	1	VALVE; EXPANSION
TUB14661	8	1	TUBE; EEV ASSY
VAL18421	9	1	VALVE; SERVICE-SPINDLE
ISR00290	10	3	ISOLATOR; COMPRESSOR GROMMET
NUT01310	11	3	NUT; FLANGE;HWH,M8,ZPC(WHT),
COM12715	12	1	COMPRESSOR ; R410A - NOTE: IF COMPRESSOR FAILS UNDER WARRANTY REPLACE ENTIRE UNIT
GKT04811	13	1	GASKET;A/C MODEL,SIR,T1.2
COV04976	14	1	COVER; COMPRESSOR TERMINAL CONNECTION
NUT01309	15	1	NUT;HEXAGON FLANGE;M5,ZPC(WHT),SWRCH10A,
INS03638	16	1	INSULATION; FELT-COMP
INS03639	17	1	INSULATION; FELT-COMP

KIT ASSEMBLY

75012279

REV.
A



All orderable Service Parts are identified for this product.

Parts that are not identified, will not be available to order.

This is a typical illustration. The unit in the field may not appear exactly as shown.

Parts List Number :4TUKUP3#4TUKUP3

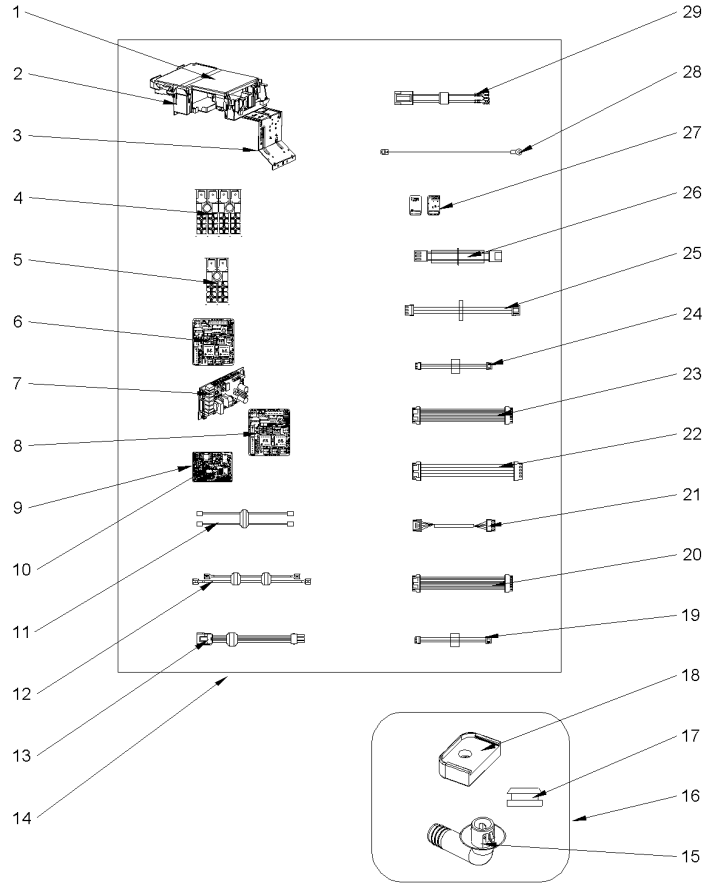
Model Number :4TUK4512A10N0AA

Part No.	Reference No.	Quantity	Description
75012279_4TUKUP3_417095~P	*		KIT ASSEMBLY PARTS LIST

KIT ASSEMBLY

75012279

REV.
A



All orderable Service Parts are identified for this product.

Parts that are not identified, will not be available to order.

This is a typical illustration. The unit in the field may not appear exactly as shown.

Part No.	Reference No.	Quantity	Description
COV05393	2	1	COVER; CONTROL BOX
TER01720	4	1	TERMINAL; BLOCK
BLK01493	5	1	TERMINAL BLOCK; F1/F2
CNT07503	6	1	BOARD; SUB PCB BOARD DISPLAY
CNT07501	7	1	BOARD; SMPS PCB
BRD06090	8	1	BOARD; SUB PCB BOARD DISPLAY
BRD06089	9	1	BOARD; MAIN BOARD INVERTER
RLY03821	10	1	RELAY; POWER, COMPONENT OF INVERTER BOARD
WIR07993	11	1	CONNECTOR; WIRE TERMINAL BLOCK
WIR07980	12	1	WAIRE HARNESS; OUTSIDE POWER, POWER WIRE FROM TERMINAL BLOCK TO MAIN INVERTER BOARD
WIR08930	13	1	WIRE; CONNECTOR ASSEMBLY
KIT18204	14	1	KIT; CONTROLS
PLU01277	15	1	PLUG; DRAIN-PLUG OUT
KIT18205	16	1	KIT; ACCESSORY
CAP01313	17	5	CAP; DRAIN
SUP06269	18	4	SUPPORT; RUBBER-LEG ISOLATOR
WIR08936	19	1	WIRE; CONNECTOR ASSEMBLY
WIR08935	20	1	WIRE; CONNECTOR ASSEMBLY
WIR08934	21	1	WIRE; HARNESS; DC SIGNAL
WIR07990	22	1	WIRE; 5 PIN RIBBON CABLE, DISPLAY TO MAIN INVERTER BOARD
WIR08933	23	1	WIRE; HARNESS; DISPLAY
WIR07988	24	1	WIRE HARNESS; 3 WIRE FROM MAIN INVERTER BOARD TO SMPS BOARD, BLUE CONNECTOR
WIR07987	25	1	WIRE HARNESS; 3 WIRE FROM MAIN INVERTER BOARD TO SMPS BOARD, RED CONNECTOR
WIR08932	26	1	WIRE; HARNESS; 2 WIRE PLUG FROM MAIN INVERTER BOARD TO SMPS BOARD
BRD04834	27	1	BOARD; EEPROM BOARD ASSEMBLY WITH EEPROM CHIP
WIR07984	28	2	WIRE HARNESS; PCB GROUND WIRE
WIR08931	29	1	WIRE; HARNESS; COMM MAIN PBA