

Part No.	Reference No.	Quantity	Description
0000127518~S	*		CABINET
0000127517~S	*		CONTROLS
0000127516~S	*		FAN
0000127514~S	*		GENERAL ASSEMBLY
0000127519~S	*		MODEL NUMBER DESCRIPTION
0000127520~S	*		OPTIONAL ACCESSORIES
0000127515~S	*		REFRIGERATION

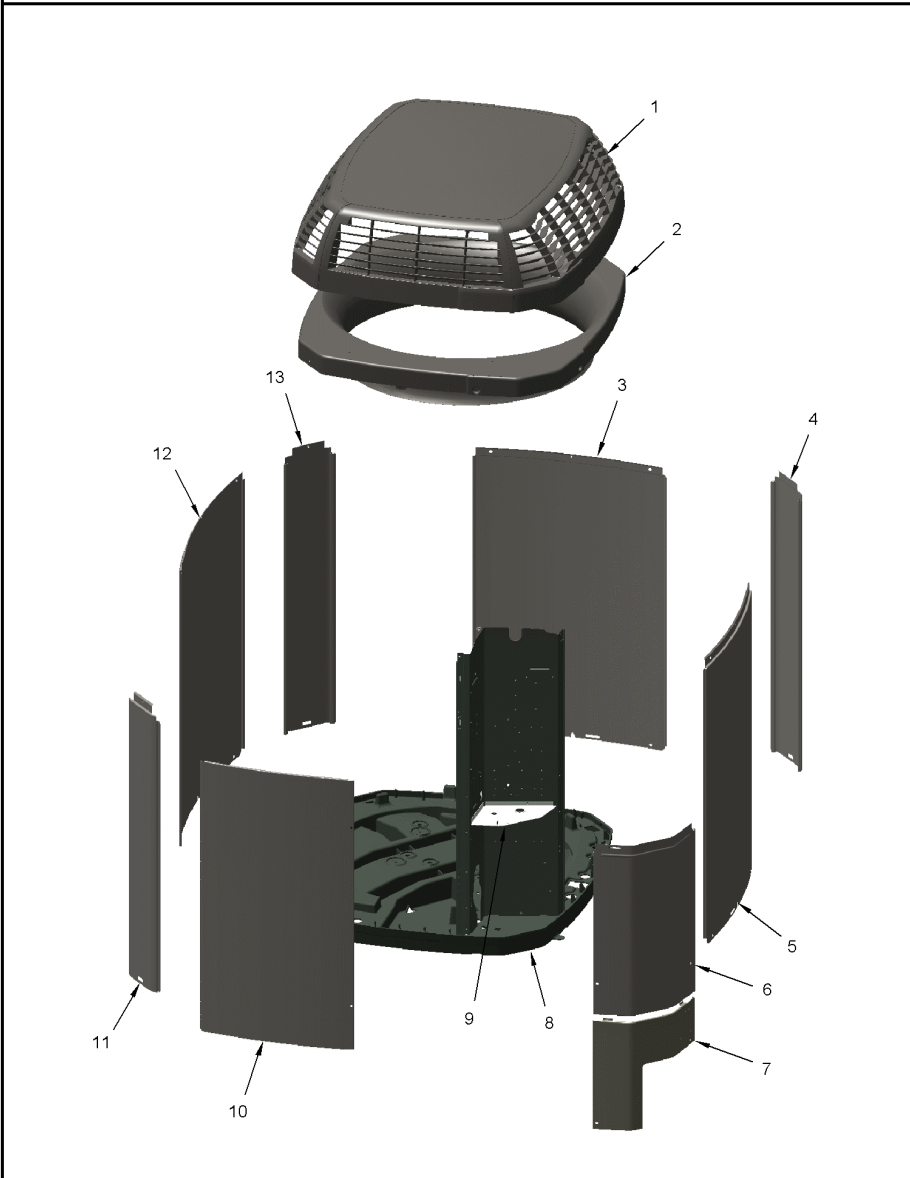
Part No.	Reference No.	Quantity	Description
0000019617~P	*		CABINET PARTS LIST

CABINET

75010778

REV.
A

TYPICAL ILLUSTRATION



Part No.	Reference No.	Quantity	Description
PAI00246	*	1	PAINT; SPRAY, TARPAULIN GRAY (SHIPPING UOM 12 OZ HAZ)
PAI00248	*	1	PAINT; 12 OZ SPRAY, ANTHRACITE GRAY (SHIPPING UOM 12 OZ HAZ)
PLT04450	*	1	PLATE; NAMEPLATE, TRANE LOGO, 9.0 X 1.5
SCR02010	*	19	SCREW; 12-18 AB HXW 1/2 SN
COV05617	1	1	COVER; BLACK, TOP APPEARANCE ASSEMBLY, 37.16 X 34.14 X 8.15 HIGH
COV05619	2	1	COVER; TOP, 36.59 X 33.59, STEEL, BLACK
PNL13009	3	1	PANEL, WRAPPER, 23.22 X 37.33
PNL13006	4	1	PANEL, CORNER POST, 3.570 X 37.33
PNL13009	5	1	PANEL, WRAPPER, 23.22 X 37.33
COV03399	6	1	COVER; CONTROLS, 26.11 X 11.32
COV03225	7	1	COVER, VALVE, 11.32 X 11.42
BAS01834	8	1	BASE; 41.78 X 41.81 DIAGONALLY
COV03228	9	1	COVER, CONTROL BOTTOM
PNL13159	10	1	PANEL; ACCESS, 19.88 X 36.65
PNL13006	11	1	PANEL, CORNER POST, 3.570 X 37.33
PNL13158	12	1	PANEL; WRAPPER, 27.13 X 37.33
PNL13006	13	1	PANEL, CORNER POST, 3.570 X 37.33

Part No.	Reference No.	Quantity	Description
0000019597~P	*		CONTROLS PARTS LIST

CONTROLS

75010701

REV
A

TYPICAL ILLUSTRATION



Part No.	Reference No.	Quantity	Description
PAI00246	*	1	PAINT; SPRAY, TARPAULIN GRAY (SHIPPING UOM 12 OZ HAZ)
PLU00984	*	1	PLUG; LOCKING HOLE
RLY03865	*	1	RELAY; DELAY ON
SRP00093	*	1	STRAP;CAPACITOR
THT03236	*	1	THERMOSTAT; HIGH TEMP
WIR08044	*	1	WIRE; PLUG, COMPRESSOR HARNESS, 73 IN LENGTH
WIR10568	*	1	WIRE; HARNESS-CONTROL PANEL
CPT00977	1	1	CAPACITOR; DUAL, 35/5 MFD, 440V, ROUND, W/O RESISTOR
SHD00386	2	1	SHIELD; MOISTURE, 12.75 X 5.00
SHD00387	3	1	SHIELD; MOISTURE, 10.25 X 4.00
CTR00845	4	1	CONTACTOR; 30 AMP, 240/480/600V, 24V COIL, 1 POLE
PNL25790	5	1	PANEL, CONTROL PANEL BASE, 39.14 HEIGHT

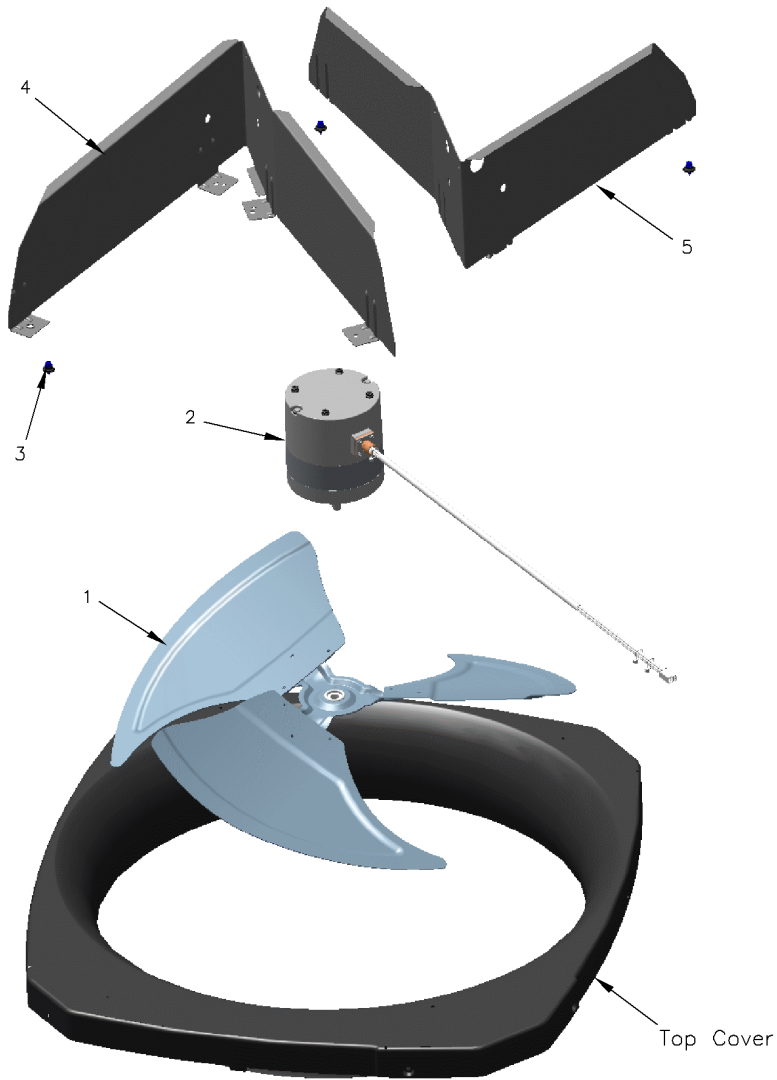
Part No.	Reference No.	Quantity	Description
0000019619~P	*		FAN PARTS LIST

FAN

75010290

REV
A

TYPICAL ILLUSTRATION



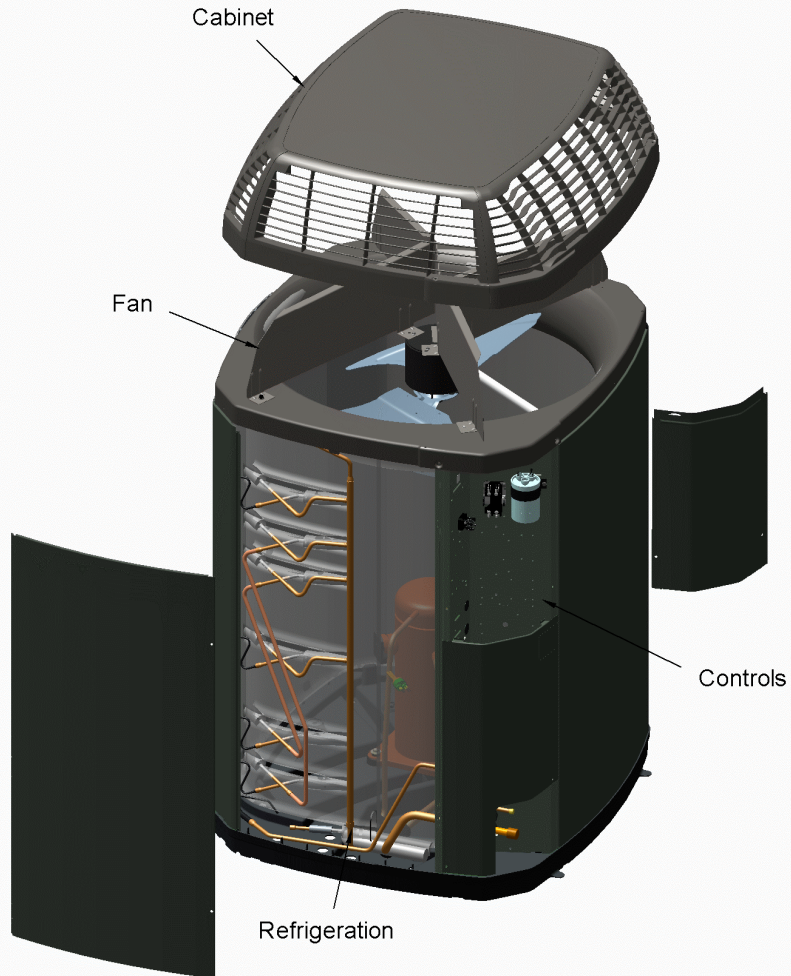
Part No.	Reference No.	Quantity	Description
GRD01416	*	1	GUARD, TROUGH-LEAD
SCR02010	*	3	SCREW; 12-18 AB HXW 1/2 SN
SCR02086	*	4	SCREW; 10-32 TR-3 HXW 3/8 S
FAN04231	1	1	FAN, 2 SWEPT BLADE, 27.5" DIA, 17 DEGREES PITCH, .50" BORE, CCW, ALUMINUM, 1 SET SCREW-STEEL, SPIDER .075 THK
MOT16968	2	1	MOTOR; 1/8 HP
ISR00047	3a	3	ISOLATOR; VIBRATION, 0.700 OD DIA X 0.350 ID DIA
SCR02027	3b	3	SCREW; 12-14 AB HXW 7/16 S
KIT18706	4	1	KIT; REPLACEMENT FAN BRACKETS (KIT INCLUDES BOTH MOTOR MOUNT SUPPORT BRACKETS, 3-ISR00047, 3-SCR02027 AND 3-SCR02054)

Part No.	Reference No.	Quantity	Description
0000017436~P	*		GENERAL ASSEMBLY GRAPHIC

SPLIT SYSTEM COOLING

75011158

REV.
A



This is a typical illustration. The unit in the field may not appear exactly as shown.

Part No.	Reference No.	Quantity	Description
000009716~P	*		MODEL NUMBER GRAPHIC

MODEL NUMBER DESCRIPTION

75005586

REV
D

OUTDOOR UNITS

Example Model Number:

4 TWV 00 3 6 A 1 0 0 0 A A
1 - - - 5 - - - 10 - - - 15

Digit 1 – Refrigerant Type

2 = R-22
4 = R-410A

Digit 2 – Trane

Digit 3 – Product Type

W = Split Heat Pump
T = Split Cooling

Digit 4 – Product Family

V = Variable Speed
Z = Leadership - Two Stage
X = Leadership
R = Replacement/Retail
M or B = Basic
A = Light Commercial
L = Side Discharge

Digit 5 – Family SEER

3 = 13 7 = 17
4 = 14 9 = 19
5 = 15 9 = 19
6 = 16 0 = 20

Digits 6 – Split System Connections 1-6 Tons

0 = Brazed

Digits 7,8 – Nominal Capacity in 000s BTUs

Digit 9 – Major Design Modifications

Digit 10 – Power Supply

1 = 200-230/1/60 or 208-230/1/60
3 = 200-230/3/60
4 = 460/3/60

Digit 11,12,13 – Secondary Function

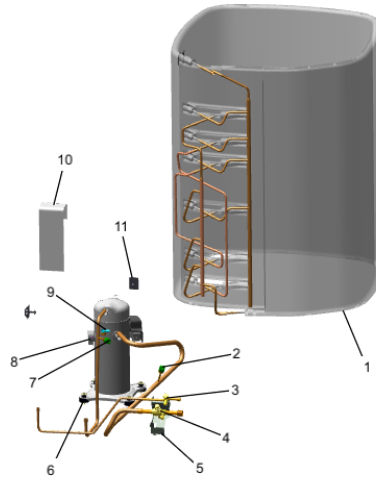
Digit 14 – Minor Design Modifications

Digit 15 – Unit Parts Identifier

Part No.	Reference No.	Quantity	Description
0000019596~P	*		OPTIONAL ACCESSORIES LIST

Part No.	Reference No.	Quantity	Description
AY28X079	*	1	KIT; LOW TEMP COOLING (AY28X079)
BAYCCHT302RES	*	1	KIT; CRANKCASE HEATER FOR SCROLLS, 40W, 230V (BAYCCHT302RES), 5.5 DIA, 74 IN LENGTH
BAYECMT004	*	1	KIT; EXTREME MOUNTING CONDITION (BAYECMT004)
BAYISLT101	*	1	KIT; ISOLATOR (BAYISLT101) (CONTAINS A QTY OF 5 ISOLATORS)
BAYKSKT263	*	1	KIT; COMPRESSOR START KIT
BAYLEGS004	*	1	KIT; SNOW LEGS, CONTAINS (4) 4" MOUNTING LEGS
BAYLEGS007	*	1	KIT; SNOW LEGS, CONTAINS (4) 7" MOUNTING LEGS
BAYLOAM107	*	1	LOW AMBIENT KIT
BAYVDTA004	*	1	KIT; VERTICAL AIR DISCHARGE (BAYVDTA004)
PAI00309	*	1	PAINT; DARK BROWN, 12 OZ SPRAY CAN, HERESITE AIR DRY PHENOLIC COATING, VR-554T
TAYASCT501A	*	1	KIT; TIME DELAY (TAYASCT501A) - 5 MINUTE RELAY ONLY IS RLY01343

Part No.	Reference No.	Quantity	Description
0000019578~P	*		REFRIGERATION PARTS LIST



Part No.	Reference No.	Quantity	Description
DHY01457	*	1	DRIER; LIQUID LINE; SERVICE FIRST; 5 CU. IN.; 5.4 TON CAPACITY; 3/8" ODF INLET X 3/8" ODF OUTLET; APPROVED FOR MINERAL OIL AND POE OIL REFRIGERANTS
SPC00386	*	1	SPACER; BASE, 5.50 X 1.00 X 0.50
SPC00512	*	6	SPACER; TUBING
COL28477	1	1	COIL; SPINE FIN-5 SIDED
SWT03362	2	1	SWITCH; LOW PRESSURE, OPEN @ 50 PSIG CLOSE @ 70 PSIG
VAL09293	3a	1	VALVE, SERVICE LIQUID, .38 OD X .38 OD, VALVE ASSY
CAP01336	3b	1	CAP; SERVICE LIQUID VALVE, BRASS, 0.75 OD X 0.57 ID X 11/16-28UN-2B
VAL11186	4a	1	VALVE; SERVICE GAS
CAP01337	4b	1	CAP; SERVICE SUCTION VALVE
BRK03020	5	1	BRACKET; VALVE
ISR00007	6a	4	ISOLATOR; VIBRATION
SCR01914	6b	4	SCREW, ASSEMBLY COMPRESSOR, 5/16-12 TYPE B, W/WASHER & SLEEVE
COM13485	7	1	COMPRESSOR; SCROLL, MBA020C1CPA, 1.6 TON, 208/23/60/1
SWT03274	8	1	SWITCH, HIGH PRESSURE, SPST, OPEN @ 650 PSIG, CLOSE @ 500 PSIG, 75' YELLOW LEAD
THT03236	9	1	THERMOSTAT; HIGH TEMP
SHD00423	10	1	SHIELD; SALT, 47.75 X 8.00
SPC00513	11	6	SPACER; COIL