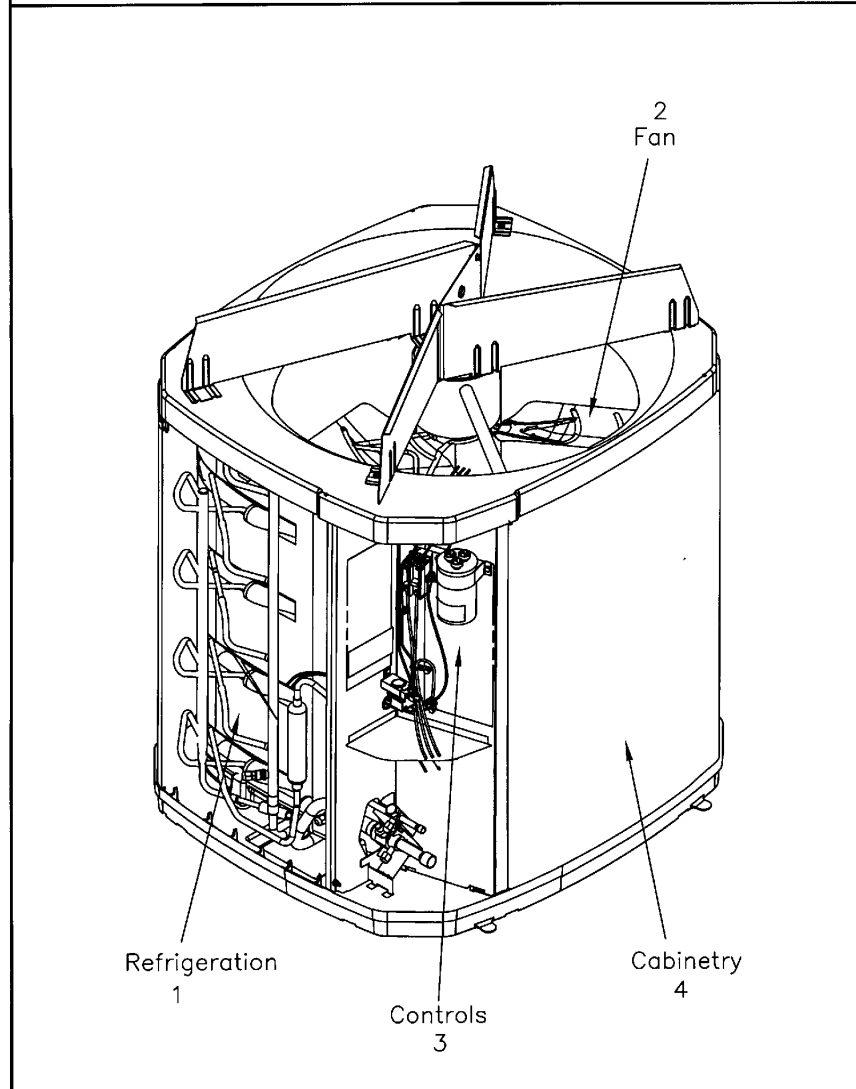


GENERAL ASSEMBLY

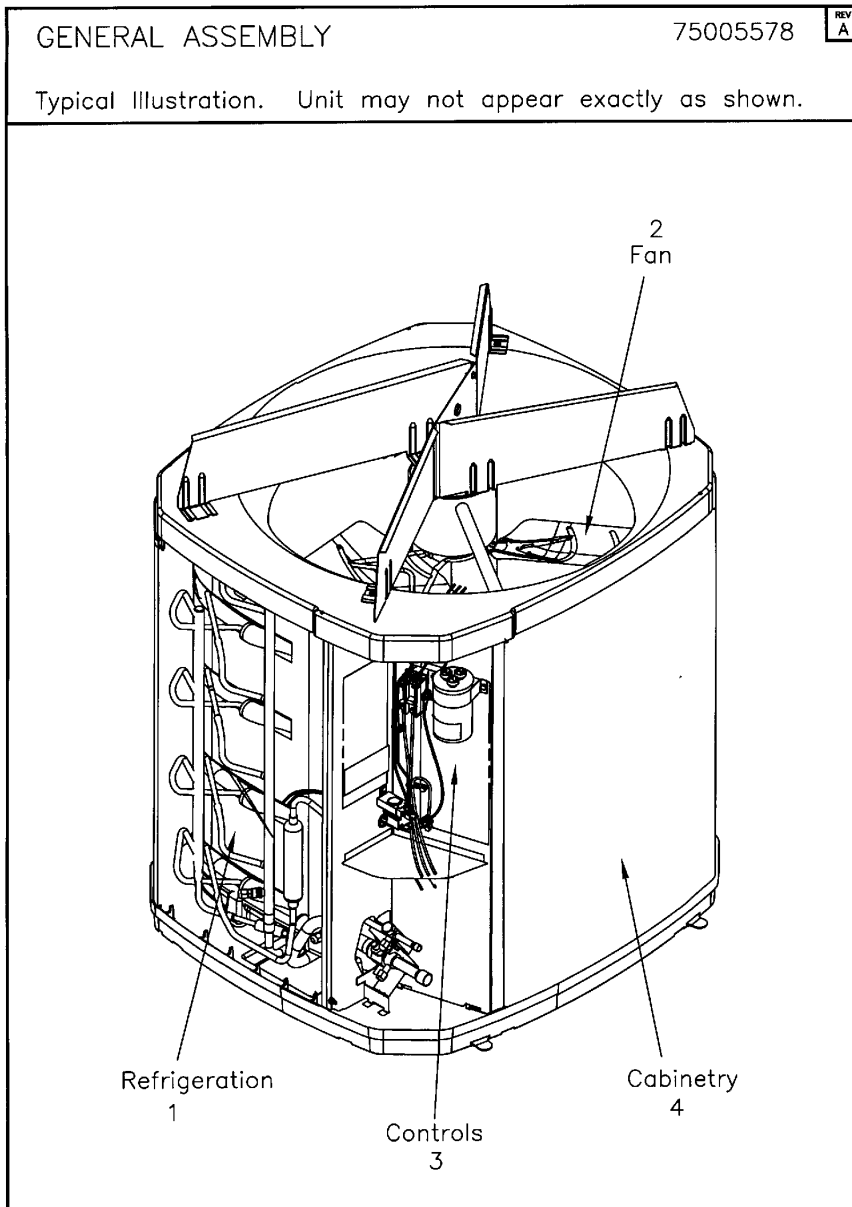
75005578

REV
A

Typical Illustration. Unit may not appear exactly as shown.



Part No.	Reference No.	Quantity	Description
75005578_4TTX8UP1_182287~P	*		4TTX8UP1 PARTS LIST
75005577#4TTX8UP1~S	*		CABINTRY
75010117#4TTX8UP1~S	*		CONTROLS
75006830#4TTX8UP1~S	*		FAN
75005586#4TTX8UP1~S	*		MODEL NOMENCLATURE
OPTIONS#4TTX8UP1~S	*		OPTIONAL FIELD INSTALLED ACCESSORIES
75009224#4TTX8UP1~S	*		REFRIGERATION

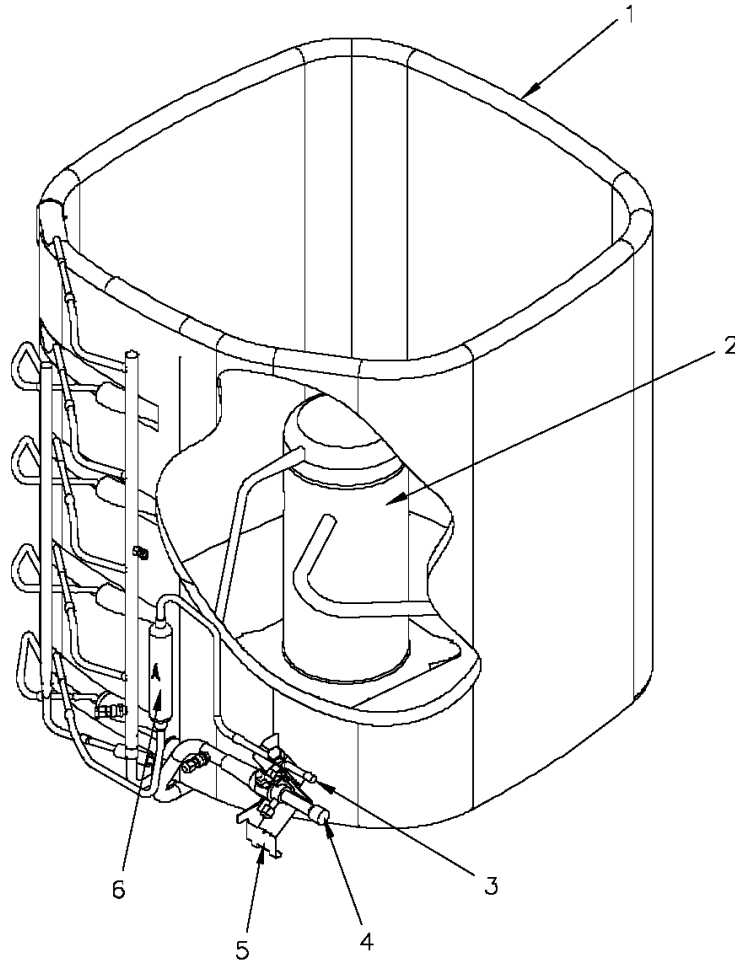


REFRIGERATION

75009224

REV
A

Typical Illustration. Unit may not appear exactly as shown.



REFRIGERATION

Parts List Number :75005578#4TTX8UP1

Model Number :4TTX8024A1000BA

Part No.	Reference No.	Quantity	Description
75009224_4TTX8UP1_274020~P	*		REFRIGERATION PARTS LIST

REFRIGERATION

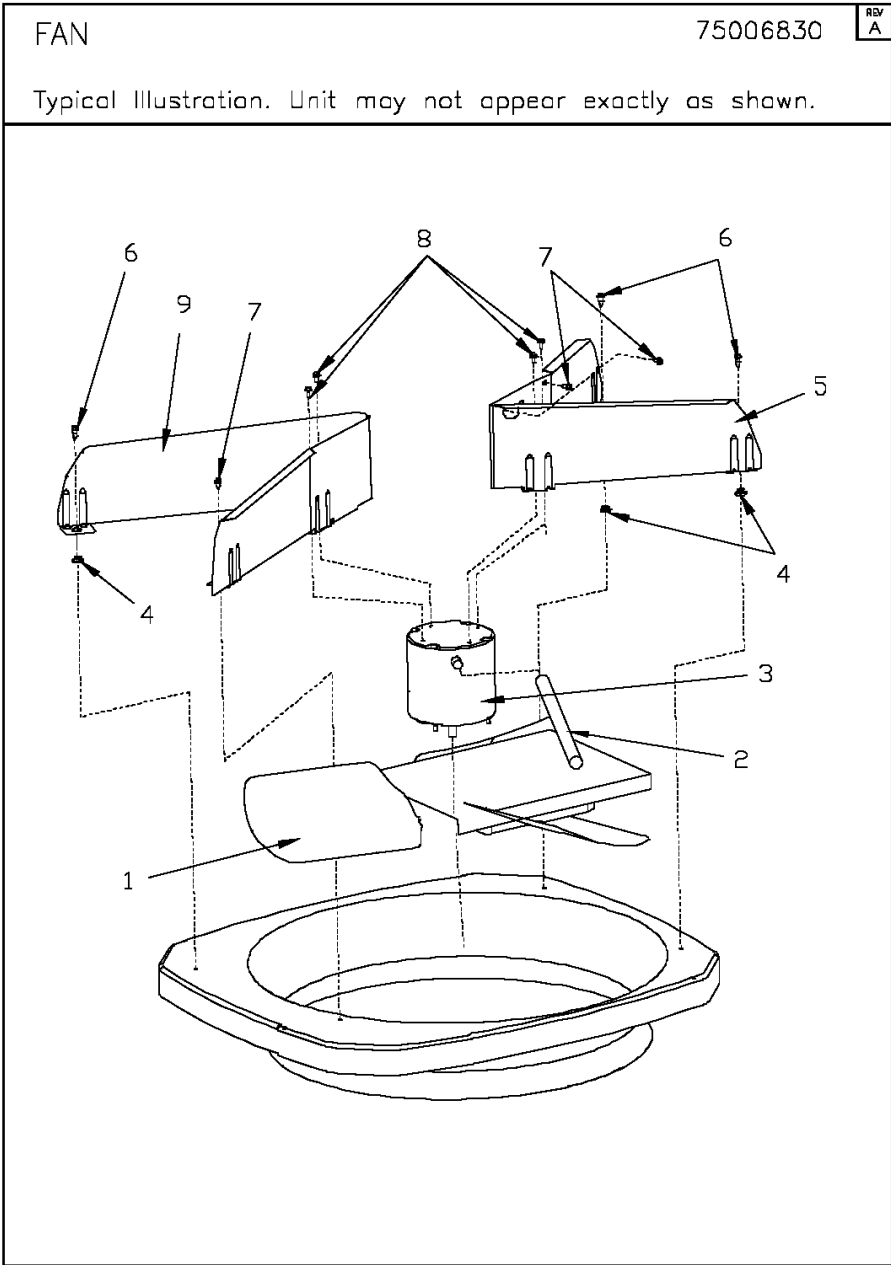
75009224

REV
A

Typical Illustration. Unit may not appear exactly as shown.



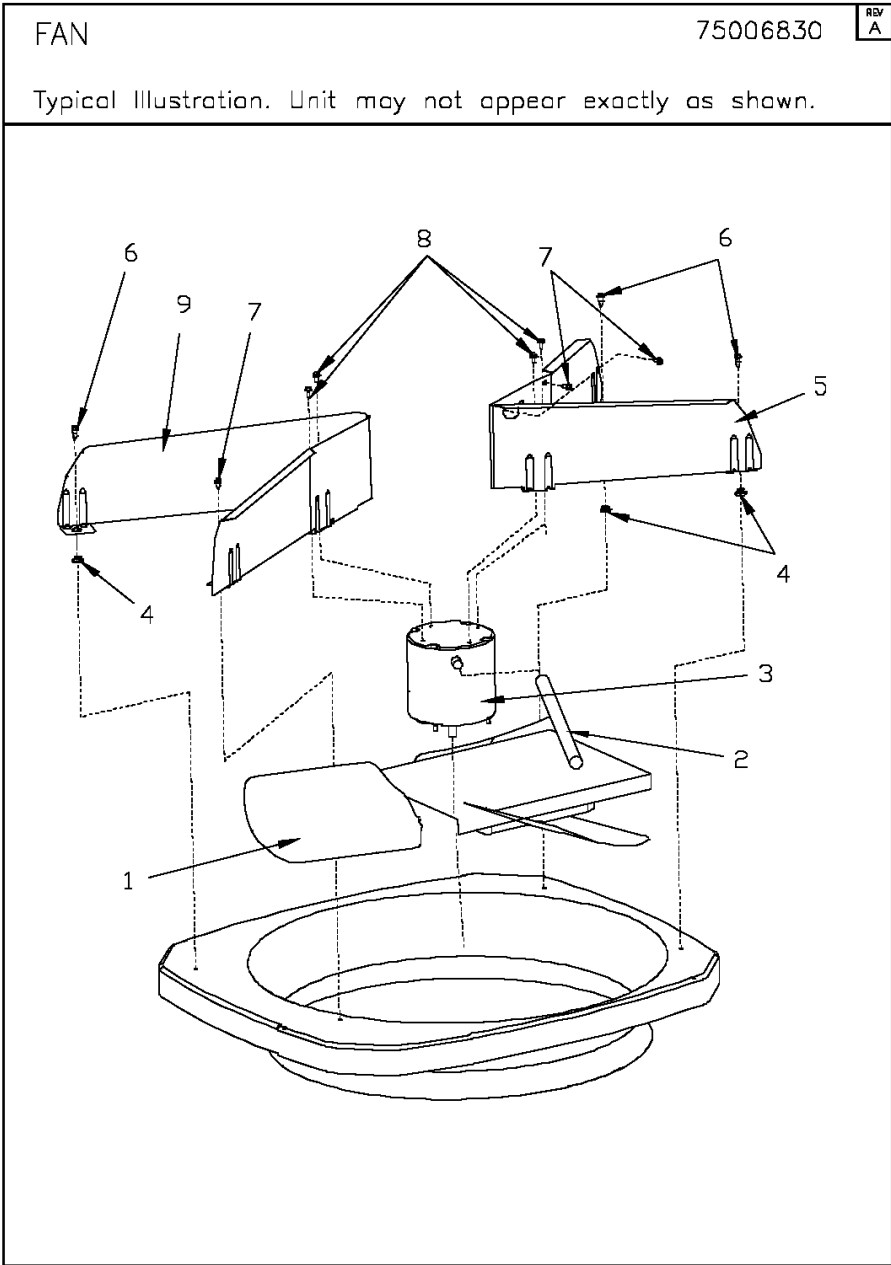
Part No.	Reference No.	Quantity	Description
ISR00007	*	4	ISOLATOR; VIBRATION
PLU00972	*	1	PLUG; COMPRESSOR SOLENOID
SCR01914	*	4	SCREW, ASSEMBLY COMPRESSOR, 5/16-12 TYPE B, W/WASHER & SLEEVE
SHD00378	*	1	SHIELD; SALT, 43.75 X 8.00
SPC00382	*	1	SPACER; ORIFICE
SPC00386	*	1	SPACER; BASE, 5.50 X 1.00 X 0.50
SWT03362	*	1	SWITCH; LOW PRESSURE, OPEN @ 50 PSIG CLOSE @ 70 PSIG
SWT03364	*	1	SWITCH, HIGH PRESSURE, SPST, OPEN @ 650 PSIG, CLOSE @ 500 PSIG, 110" LEAD
WIR03325	*	1	WIRE, PLUG-SCROLL COMPRESSOR
COL28477	1	1	COIL; SPINE FIN-5 SIDED
COM11904	2	1	COMPRESSOR; SCROLL, ALLIANCE, TXA020C1CTA, 1.6 TONS, 208/230/60/1, R410A, 3/4 SUCTION, 1/2 DISCHARGE, BRAZED-STUB TUBE
VAL09302	3	1	VALVE, SERVICE LIQUID, .31 ODF X .38 ODF
VAL11186	4	1	VALVE; SERVICE GAS
BRK03020	5	1	BRACKET; VALVE
DHY01456	6	1	DRIER; LIQUID LINE; SERVICE FIRST; 5 CU. IN.; DCL054/3S, 1/2 ODF INLET X 3/8 ODF OUTLET; 5.4 TON CAPACITY; APPROVED FOR MINERAL OIL AND POE OIL REFRIG



Parts List Number :75005578#4TTX8UP1

Model Number :4TTX8024A1000BA

Part No.	Reference No.	Quantity	Description
75006830_4TTX8UP1_182301~P	*		FAN PARTS LIST



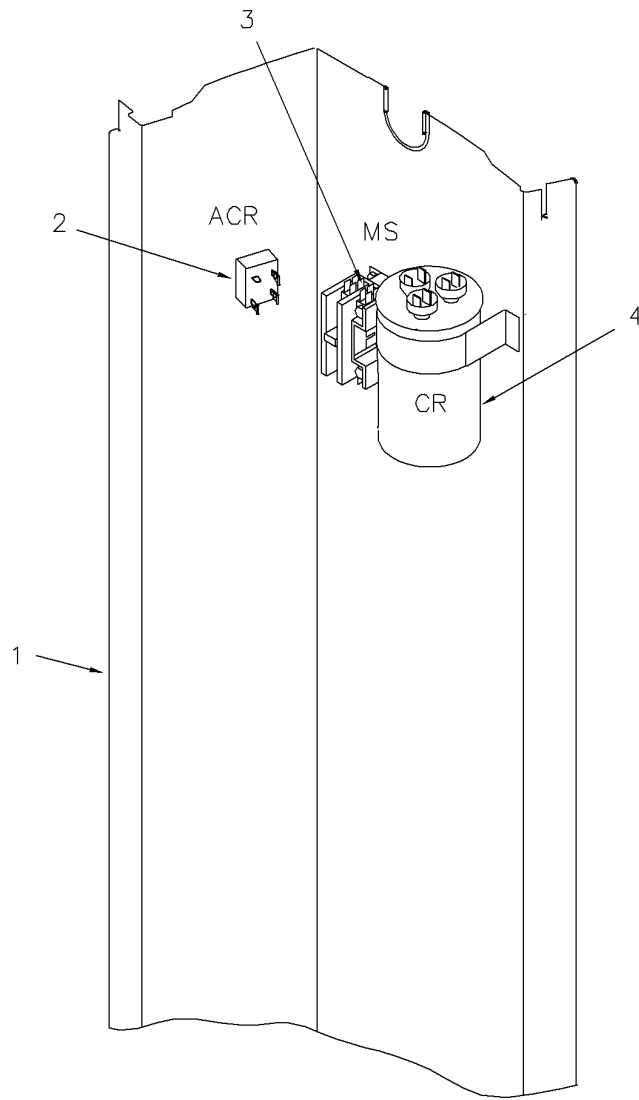
Part No.	Reference No.	Quantity	Description
FAN04231	1	1	FAN, 2 SWEPT BLADE, 27.5" DIA, 17 DEGREES PITCH, .50" BORE, CCW, ALUMINUM, 1 SET SCREW-STEEL, SPIDER .075 THK
GRD01416	2	1	GUARD, TROUGH-LEAD
MOT14328	3	1	MOTOR; 1/8 HP, 200/230/60/1, 825 RPM, 48 FRAME, PSC, SLEEVE BEARING, CCW, 5 MFD CPT @ 370V
ISR00047	4	3	ISOLATOR; VIBRATION, 0.700 OD DIA X 0.350 ID DIA
MNT01713	5	1	MOUNT, MOTOR-SUPPORT MOUNT
SCR02027	6	3	SCREW; 12-14 AB HXW 7/16 S
SCR02010	7	3	SCREW; 12-18 AB HXW 1/2 SN
SCR02086	8	4	SCREW; 10-32 TR-3 HXW 3/8 S
MNT01711	9	1	MOUNT, MOTOR-SUPPORT MOUNT

Controls

75010117

REV
A

Typical illustration. Unit may not appear exactly as shown.



Parts List Number :75005578#4TTX8UP1

Model Number :4TTX8024A1000BA

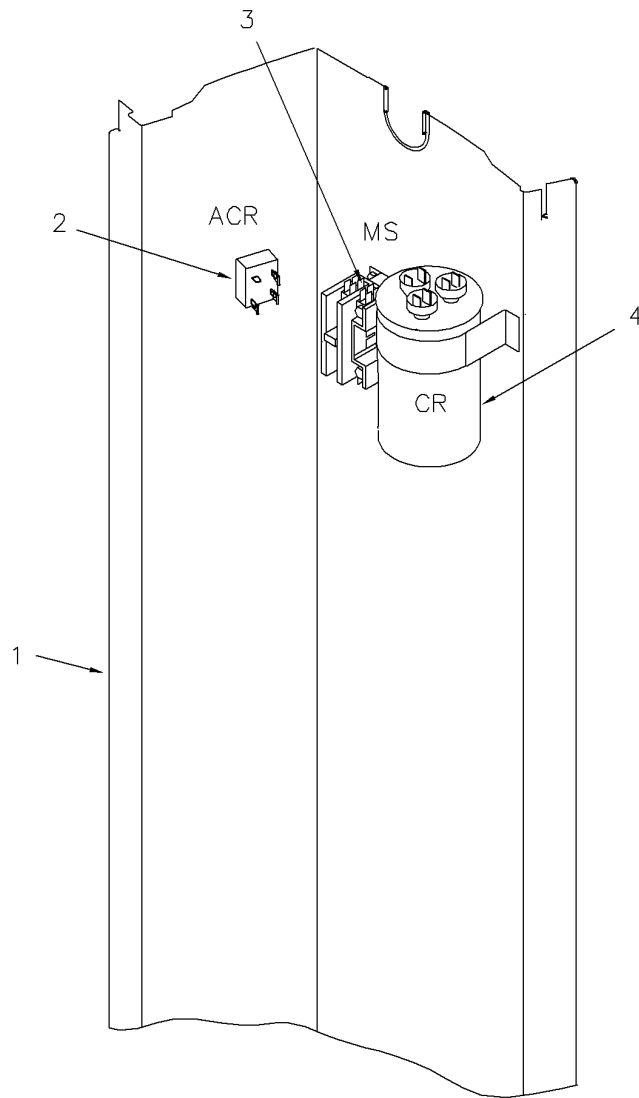
Part No.	Reference No.	Quantity	Description
75010117_4TTX8UP1_182307~P	*		CONTROLS PARTS LIST

Controls

75010117

REV
A

Typical illustration. Unit may not appear exactly as shown.

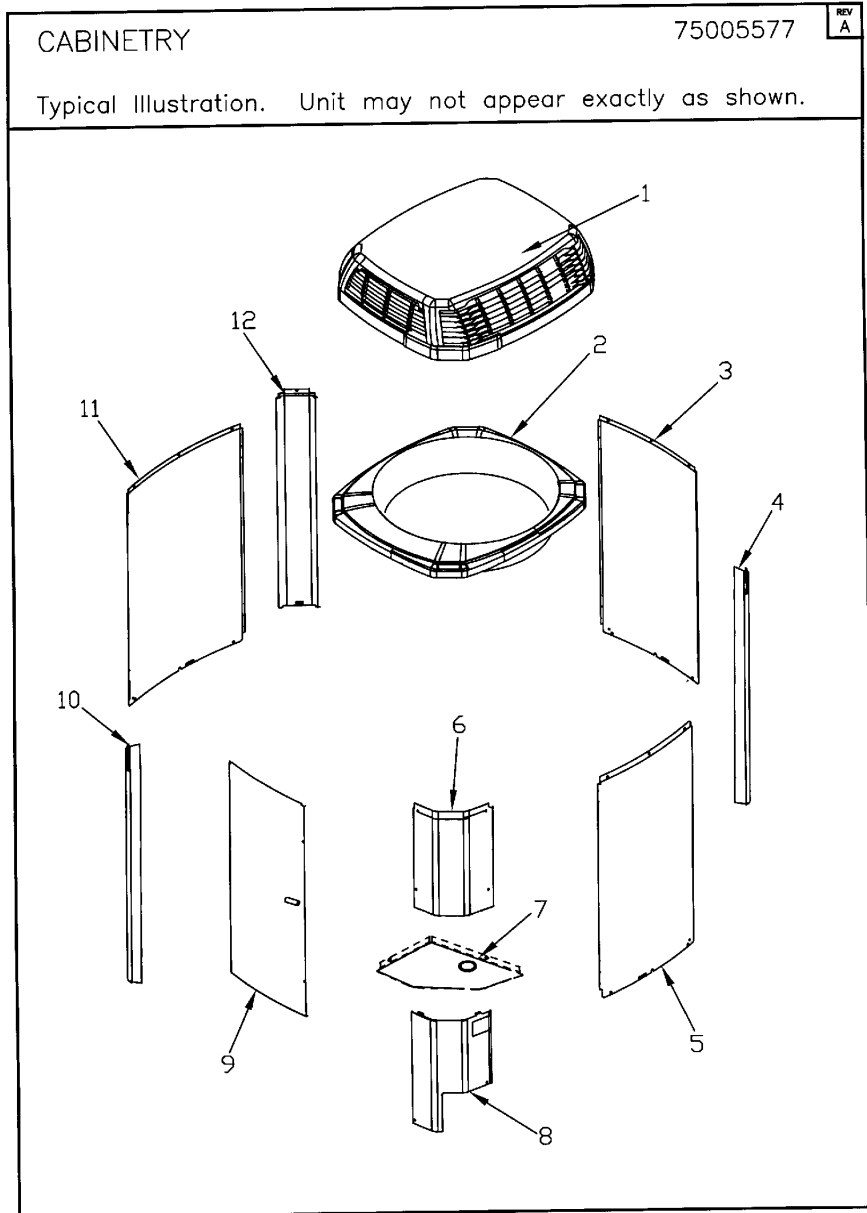


CONTROLS PARTS LIST

Parts List Number :75005578#4TTX8UP1

Model Number :4TTX8024A1000BA

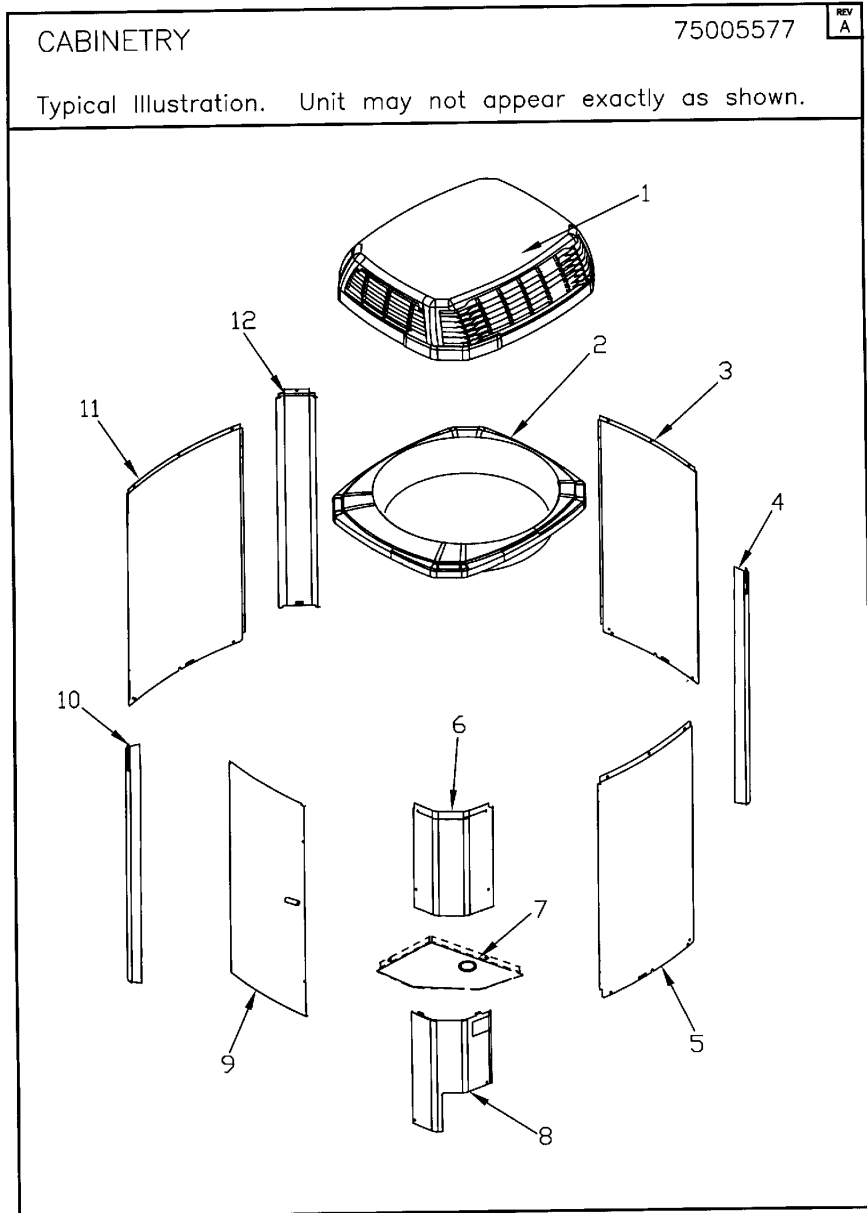
Part No.	Reference No.	Quantity	Description
SHD00386	*	1	SHIELD; MOISTURE, 12.75 X 5.00
SHD00387	*	1	SHIELD; MOISTURE, 10.25 X 4.00
PNL13029	1	1	PANEL, CONTROL PANEL BASE, 39.14 HEIGHT
RTF00058	2	1	RECTIFIER; BRIDGE
CTR00845	3	1	CONTACTOR; 30 AMP, 240/480/600V, 24V COIL, 1 POLE
CPT00977	4	1	CAPACITOR; DUAL, 35/5 MFD, 440V, ROUND, W/O RESISTOR



Parts List Number :75005578#4TTX8UP1

Model Number :4TTX8024A1000BA

Part No.	Reference No.	Quantity	Description
75005577_4TTX8UP1_182289~P	*		CABINERY PARTS LIST



Parts List Number :75005578#4TTX8UP1

Model Number :4TTX8024A1000BA

Part No.	Reference No.	Quantity	Description
BAS01834	*	1	BASE; 41.78 X 41.81 DIAGONALLY
PAI00246	*	1	PAINT; SPRAY, TARPAULIN GRAY (SHIPPING UOM 12 OZ HAZ)
PAI00248	*	1	PAINT; 12 OZ SPRAY, ANTHRACITE GRAY (SHIPPING UOM 12 OZ HAZ)
PLT04450	*	1	PLATE; NAMEPLATE, TRANE LOGO, 9.0 X 1.5
SCR02010	*	19	SCREW; 12-18 AB HXW 1/2 SN
SCR02019	*	4	SCREW; 12-14 X 5/8 AB THREAD FORMING HEX HEAD FLANGED
COV03950	1	1	COVER; TOP APPEARANCE ASSEMBLY, 37.20 X 34.17 X 10.00 HIGH
COV03223	2	1	COVER, TOP, 33.59 X 36.59, ANTHRACITE GRAY
PNL13009	3	1	PANEL, WRAPPER, 23.22 X 37.33
PNL13006	4	1	PANEL, CORNER POST, 3.570 X 37.33
PNL13009	5	1	PANEL, WRAPPER, 23.22 X 37.33
COV03399	6	1	COVER; CONTROLS, 26.11 X 11.32
COV03228	7	1	COVER, CONTROL BOTTOM
COV03225	8	1	COVER, VALVE, 11.32 X 11.42
PNL13159	9	1	PANEL; ACCESS, 19.88 X 36.65
PNL13006	10	3	PANEL, CORNER POST, 3.570 X 37.33
PNL13158	11	1	PANEL; WRAPPER, 27.13 X 37.33
PNL13006	12	1	PANEL, CORNER POST, 3.570 X 37.33

MODEL NUMBER DESCRIPTION
OUTDOOR UNITS

75005586

REV
E

Example Model Number:

4 TWV 0 0 3 6 A 1 0 0 0 A A
1 - - - - 5 - - - - 10 - - - - 15

Digit 1 – Refrigerant Type

2 = R-22
4 = R-410A

Digit 2 – Trane

Digit 3 – Product Type

W = Split Heat Pump
T = Split Cooling

Digit 4 – Product Family

V = Variable Speed
Z = Leadership - Two Stage
X = Leadership
R = Replacement/Retail
M or B = Basic
A = Light Commercial
L = Side Discharge
S = Side Discharge 3 Phase

Digit 5 – Family SEER

3 = 13 7 = 17
4 = 14 8 = 18
5 = 15 9 = 19
6 = 16 0 = 20

Digits 6 – Split System Connections 1-6 Tons

0 = Brazed

Digits 7,8 – Nominal Capacity in 000s BTUs

Digit 9 – Major Design Modifications

Digit 10 – Power Supply

1 = 200-230/1/60 or 208-230/1/60
3 = 200-230/3/60
4 = 460/3/60
5 = 400/3/60
A = 220-240/1/50
D = 380-415/3/50

Digit 11,12,13 – Secondary Function

Digit 14 – Minor Design Modifications

Digit 15 – Unit Parts Identifier

Part No.	Reference No.	Quantity	Description
75005586_4TTX8UP1_182299~P	*		MODEL NOMENCLATURE PARTS LIST

MODEL NUMBER DESCRIPTION

75005586

REV
D

OUTDOOR UNITS

Example Model Number:

4 TWV 00 3 6 A 1 0 0 0 A A
1 - - - 5 - - - 10 - - - 15

Digit 1 – Refrigerant Type

2 = R-22
4 = R-410A

Digit 2 – Trane

Digit 3 – Product Type

W = Split Heat Pump
T = Split Cooling

Digit 4 – Product Family

V = Variable Speed
Z = Leadership - Two Stage
X = Leadership
R = Replacement/Retail
M or B = Basic
A = Light Commercial
L = Side Discharge

Digit 5 – Family SEER

3 = 13 7 = 17
4 = 14 9 = 19
5 = 15 9 = 19
6 = 16 0 = 20

Digits 6 – Split System Connections 1-6 Tons

0 = Brazed

Digits 7,8 – Nominal Capacity in 000s BTUs

Digit 9 – Major Design Modifications

Digit 10 – Power Supply

1 = 200-230/1/60 or 208-230/1/60
3 = 200-230/3/60
4 = 460/3/60

Digit 11,12,13 – Secondary Function

Digit 14 – Minor Design Modifications

Digit 15 – Unit Parts Identifier

Parts List Number :75005578#4TTX8UP1

Model Number :4TTX8024A1000BA

Part No.	Reference No.	Quantity	Description
OPTIONS_4TTX8UP1_182308~P	*		OPTIONAL FIELD INSTALLED ACCESSORIES PARTS LIST

Parts List Number :75005578#4TTX8UP1

Model Number :4TTX8024A1000BA

Part No.	Reference No.	Quantity	Description
AY28X079	*	1	KIT; LOW TEMP COOLING (AY28X079)
BAYCCHT302RES	*	1	KIT; CRANKCASE HEATER FOR SCROLLS, 40W, 230V (BAYCCHT302RES), 5.5 DIA, 74 IN LENGTH
BAYECMT004	*	1	KIT; EXTREME MOUNTING CONDITION (BAYECMT004)
BAYISLT101	*	1	KIT; ISOLATOR (BAYISLT101) (CONTAINS A QTY OF 5 ISOLATORS)
BAYKSKT263	*	1	KIT; COMPRESSOR START KIT
BAYLEGS004	*	1	KIT; SNOW LEGS, CONTAINS (4) 4" MOUNTING LEGS
BAYLEGS007	*	1	KIT; SNOW LEGS, CONTAINS (4) 7" MOUNTING LEGS
BAYLOAM107	*	1	LOW AMBIENT KIT
BAYVDTA004	*	1	KIT; VERTICAL AIR DISCHARGE (BAYVDTA004)
PAI00309	*	1	PAINT; DARK BROWN, 12 OZ SPRAY CAN, HERESITE AIR DRY PHENOLIC COATING, VR-554T
TAYASCT501A	*	1	KIT; TIME DELAY (TAYASCT501A) - 5 MINUTE RELAY ONLY IS RLY01343