

<b>Part No.</b>	<b>Reference No.</b>	<b>Quantity</b>	<b>Description</b>
0000170010~S	*		CABINET
0000170009~S	*		COMPRESSOR
0000170008~S	*		CONTROLS
0000170007~S	*		FAN
0000170005~S	*		MODEL NUMBER DESCRIPTION
0000170006~S	*		REFIGERATION

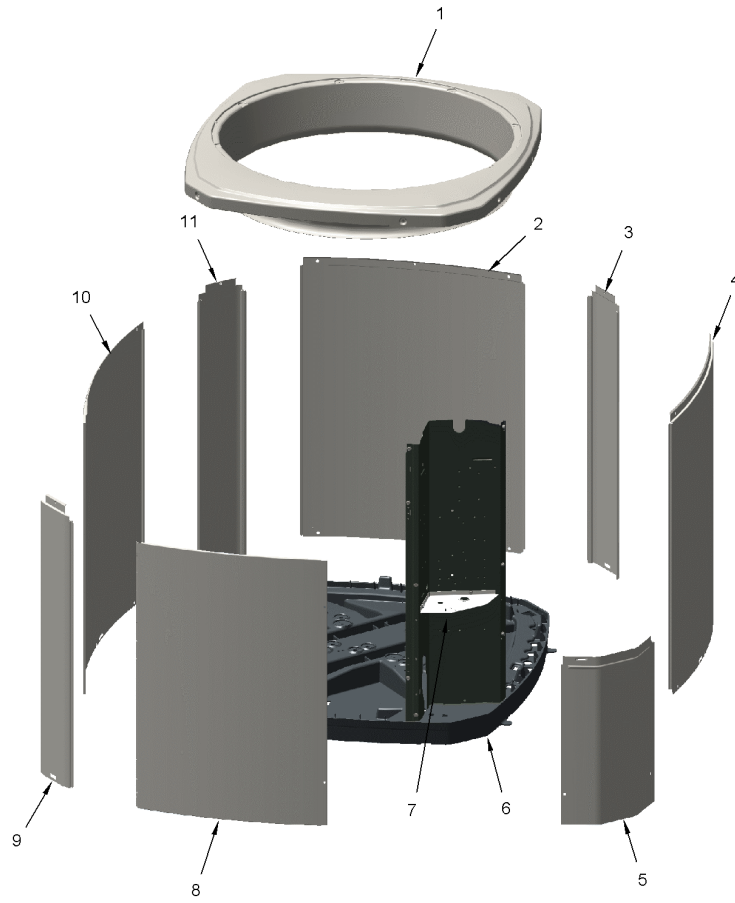
Part No.	Reference No.	Quantity	Description
0000033061~P	*		CABINET PARTS LIST

CABINET

75010796

REV.  
A

TYPICAL ILLUSTRATION



Part No.	Reference No.	Quantity	Description
COV03399	*	1	COVER; CONTROLS, 26.11 X 11.32
PAI00246	*	0	PAINT; SPRAY, TARPULIN GRAY (SHIPPING UOM 12 OZ HAZ)
SCR02010	*	19	SCREW; 12-18 AB HXW 1/2 SN
SCR02054	*	19	SCREW; 12-18 AB HXW 1/2 SN
COV05619	1	1	COVER; TOP, 36.59 X 33.59, STEEL, BLACK
PNL25809	2	2	PANEL; WRAPPER, 23 X 41
PNL25807	3	3	PANEL; CORNER POST, 3.57 X 41.33
PNL25808	4	1	PANEL; WRAPPER, 27 X 41.33
COV03226	5	1	COVER, VALVE, 11.32 X 15.42
BAS01834	6	1	BASE; 41.78 X 41.81 DIAGONALLY
COV03228	7	1	COVER, CONTROL BOTTOM
PNL25810	8	1	PANEL; ACCESS, 19.84 X 40.65
PNL25807	9	1	PANEL; CORNER POST, 3.57 X 41.33
PNL25808	10	1	PANEL; WRAPPER, 27 X 41.33
PNL25807	11	1	PANEL; CORNER POST, 3.57 X 41.33

COMPRESSOR

Parts List Number :0000169984

Model Number :4TTX7060E1000AA

Part No.	Reference No.	Quantity	Description
0000036989~P	*		SCROLL COMPRESSOR

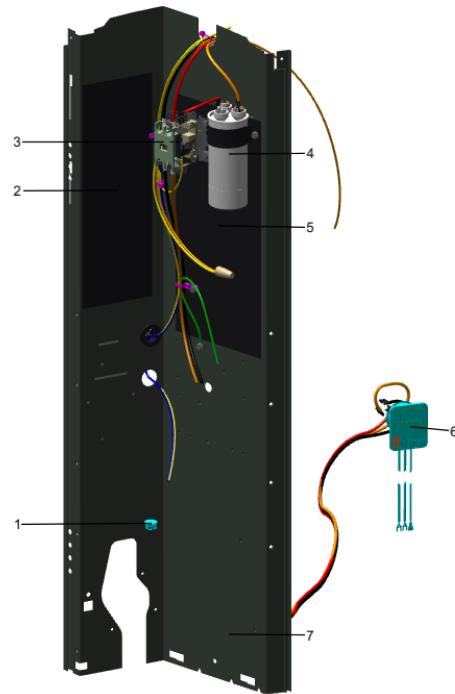
Part No.	Reference No.	Quantity	Description
COM11908	1	1	COMPRESSOR; SCROLL, ALLIANCE, TXA049B1CTA, 4.0 TON, 208V-230V/60/1, R-410A, 7/8 SUCTION, 1/2 DISCHARGE, STUB TUBE

CONTROLS

Parts List Number :0000169984

Model Number :4TTX7060E1000AA

Part No.	Reference No.	Quantity	Description
0000036944~P	*		CONTROLS-COOLING PARTS LIST



Part No.	Reference No.	Quantity	Description
RTF00058	*	1	RECTIFIER; BRIDGE
SCR01089	*	1	SCREW; 10-24C HXW 3/4 S N
SCR01918	*	5	SCREW, 10-24 THREAD ROLL, INDENT HEX WASHER HD
SRP00269	*	1	STRAP; CAPACITOR
TER00312	*	1	TERMINAL; 8IN. TIE CABLE
TIE00007	*	1	TIE;CABLE
WIR04816	*	1	WIRE; PLUG-SCROLL COMPRESSOR
PAI00246		0	PAINT; SPRAY, TARPAULIN GRAY (SHIPPING UOM 12 OZ HAZ)
PLU01057		1	PLUG; COMPRESSOR SOLENOID, 2 LEADS, WHITE WIRES, 85 IN LENGTH
PLU00984	1	1	PLUG; LOCKING HOLE
SHD00387	2	2	SHIELD; MOISTURE, 10.25 X 4.00
CTR02576	3	1	CONTACTOR; 2P 40A 24VAC / SCREWS
CPT01032	4	1	CAPACITOR; DUAL, 40/7.5 MFD, 440V, ROUND, W/O RESISTOR
PNL25790	7	1	PANEL, CONTROL PANEL BASE, 39.14 HEIGHT

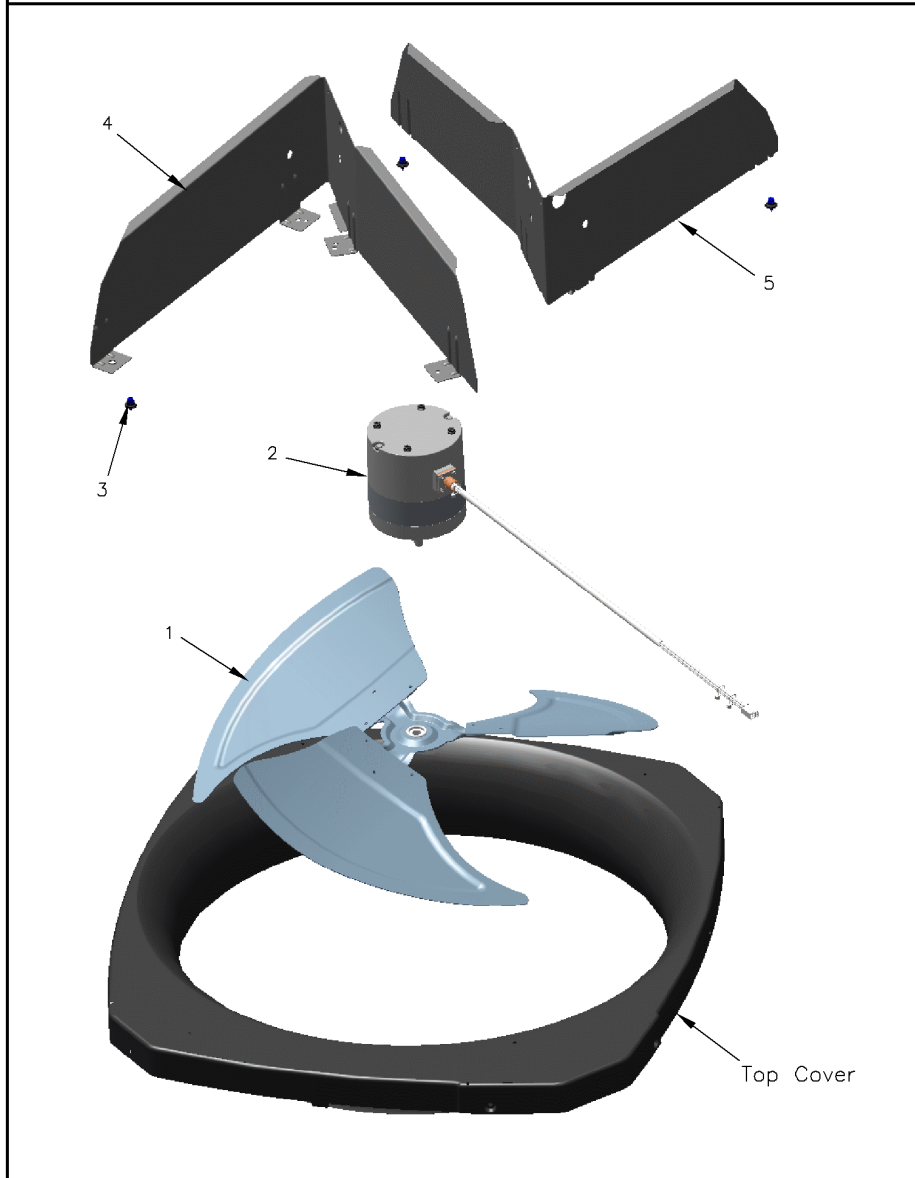
Part No.	Reference No.	Quantity	Description
0000036934~P	*		FAN PARTS LIST

FAN

75010290

REV  
A

TYPICAL ILLUSTRATION



Part No.	Reference No.	Quantity	Description
GRD01416	*	1	GUARD, TROUGH-LEAD
SCR02010	*	3	SCREW; 12-18 AB HXW 1/2 SN
SCR02027	*	3	SCREW; 12-14 AB HXW 7/16 S
SCR02054	*	3	SCREW; 12-18 AB HXW 1/2 SN
SCR02086	*	4	SCREW; 10-32 TR-3 HXW 3/8 S
FAN04368	1	1	FAN, 3 SWEPT BLADE, 27.5" DIA, 26 DEG PITCH, 0.50" BORE, CCW, ALUMINUM
MOT19414	2	1	MOTOR; 1/4 HP 48 FRAME PSC
ISR00047	3	3	ISOLATOR; VIBRATION, 0.700 OD DIA X 0.350 ID DIA
KIT18706	4	2	KIT; REPLACEMENT FAN BRACKETS (KIT INCLUDES BOTH MOTOR MOUNT SUPPORT BRACKETS, 3-ISR00047, 3-SCR02027 AND 3-SCR02054)

Part No.	Reference No.	Quantity	Description
0000036907~P	*		MODEL NUMBER DESCRIPTION PARTS LIST

MODEL NUMBER DESCRIPTION

75005586

REV  
D

OUTDOOR UNITS

*Example Model Number:*

**4 TWV 00 3 6 A 1 0 0 0 A A**  
1 - - - 5 - - - 10 - - - 15

**Digit 1 – Refrigerant Type**

2 = R-22  
4 = R-410A

**Digit 2 – Trane**

**Digit 3 – Product Type**

W = Split Heat Pump  
T = Split Cooling

**Digit 4 – Product Family**

V = Variable Speed  
Z = Leadership - Two Stage  
X = Leadership  
R = Replacement/Retail  
M or B = Basic  
A = Light Commercial  
L = Side Discharge

**Digit 5 – Family SEER**

3 = 13      7 = 17  
4 = 14      9 = 19  
5 = 15      9 = 19  
6 = 16      0 = 20

**Digits 6 – Split System Connections 1-6 Tons**

0 = Brazed

**Digits 7,8 – Nominal Capacity in 000s BTUs**

**Digit 9 – Major Design Modifications**

**Digit 10 – Power Supply**

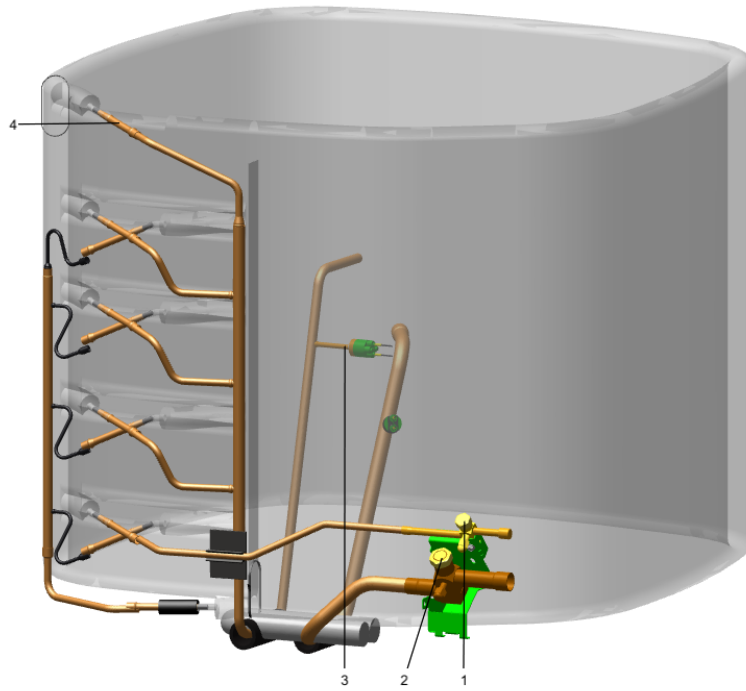
1 = 200-230/1/60 or 208-230/1/60  
3 = 200-230/3/60  
4 = 460/3/60

**Digit 11,12,13 – Secondary Function**

**Digit 14 – Minor Design Modifications**

**Digit 15 – Unit Parts Identifier**

Part No.	Reference No.	Quantity	Description
0000032134~P	*		REFRIGERANT SYSTEM



Part No.	Reference No.	Quantity	Description
BRK03020	*	1	BRACKET; VALVE
COL28481	*	0	COIL; SPINE FIN-5 SIDED
PAI00246	*	0	PAINT; SPRAY, TARPAULIN GRAY (SHIPPING UOM 12 OZ HAZ)
SWT03362	*	1	SWITCH; LOW PRESSURE, OPEN @ 50 PSIG CLOSE @ 70 PSIG
TUB02810	*	28	TUBE; TRANSITION
VAL20231	*	1	VALVE; SER GAS 0 (14-14-14)
COM11908		1	COMPRESSOR; SCROLL, ALLIANCE, TXA049B1CTA, 4.0 TON, 208V-230V/60/1, R-410A, 7/8 SUCTION, 1/2 DISCHARGE, STUB TUBE
CAP01412	1	1	CAP; SERVICE VALVE, BRASS, 1.00 OD X 0.57 ID X M18 X 1-6H
CAP01336	2	1	CAP; SERVICE LIQUID VALVE, BRASS, 0.75 OD X 0.57 ID X 11/16-28UN-2B
SWT03364	3	1	SWITCH, HIGH PRESSURE, SPST, OPEN @ 650 PSIG, CLOSE @ 500 PSIG, 110" LEAD
TUB11547	4	28	TUBE; TRANSITION ASSEMBLY