

Part No.	Reference No.	Quantity	Description
0000170010~S	*		CABINET
0000170009~S	*		COMPRESSOR
0000170008~S	*		CONTROLS
0000170007~S	*		FAN
0000170005~S	*		MODEL NUMBER DESCRIPTION
0000170006~S	*		REFIGERATION

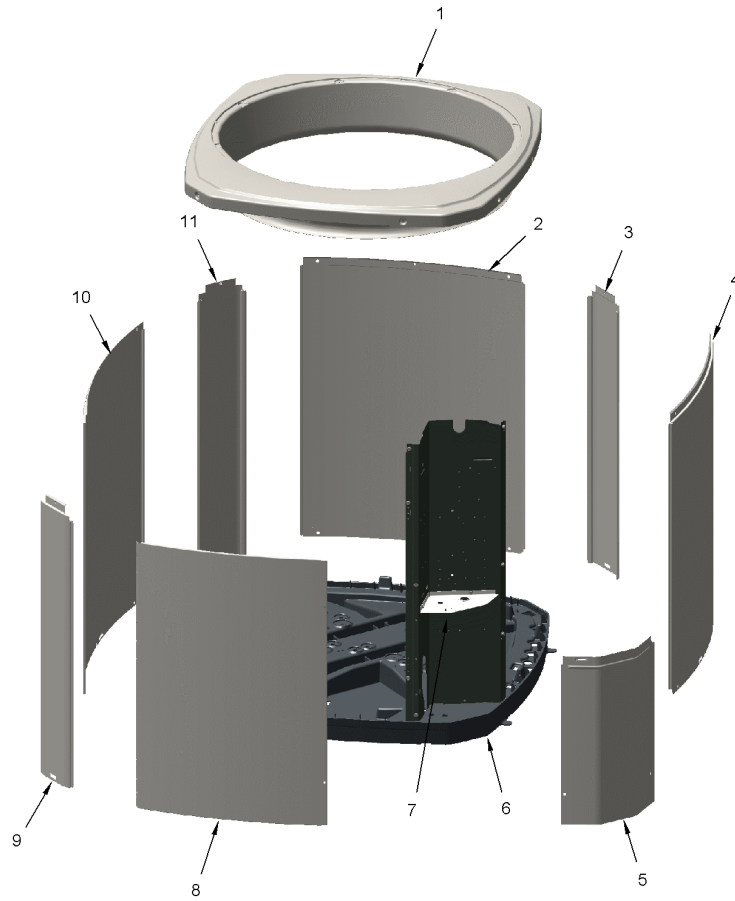
Part No.	Reference No.	Quantity	Description
0000033061~P	*		CABINET PARTS LIST

CABINET

75010796

REV.
A

TYPICAL ILLUSTRATION



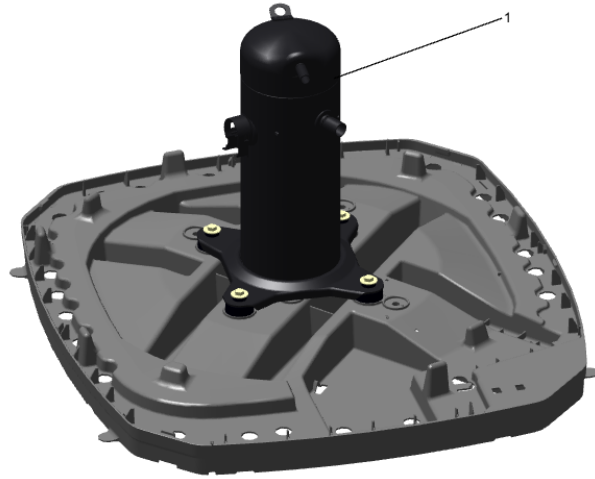
Part No.	Reference No.	Quantity	Description
COV03399	*	1	COVER; CONTROLS, 26.11 X 11.32
PAI00246	*	0	PAINT; SPRAY, TARPAULIN GRAY (SHIPPING UOM 12 OZ HAZ)
SCR02010	*	19	SCREW; 12-18 AB HXW 1/2 SN
SCR02054	*	19	SCREW; 12-18 AB HXW 1/2 SN
COV05619	1	1	COVER; TOP, 36.59 X 33.59, STEEL, BLACK
PNL25809	2	2	PANEL; WRAPPER, 23 X 41
PNL25807	3	3	PANEL; CORNER POST, 3.57 X 41.33
PNL25808	4	1	PANEL; WRAPPER, 27 X 41.33
COV03226	5	1	COVER, VALVE, 11.32 X 15.42
BAS01834	6	1	BASE; 41.78 X 41.81 DIAGONALLY
COV03228	7	1	COVER, CONTROL BOTTOM
PNL25810	8	1	PANEL; ACCESS, 19.84 X 40.65
PNL25807	9	1	PANEL; CORNER POST, 3.57 X 41.33
PNL25808	10	1	PANEL; WRAPPER, 27 X 41.33
PNL25807	11	1	PANEL; CORNER POST, 3.57 X 41.33

COMPRESSOR

Parts List Number :0000169984

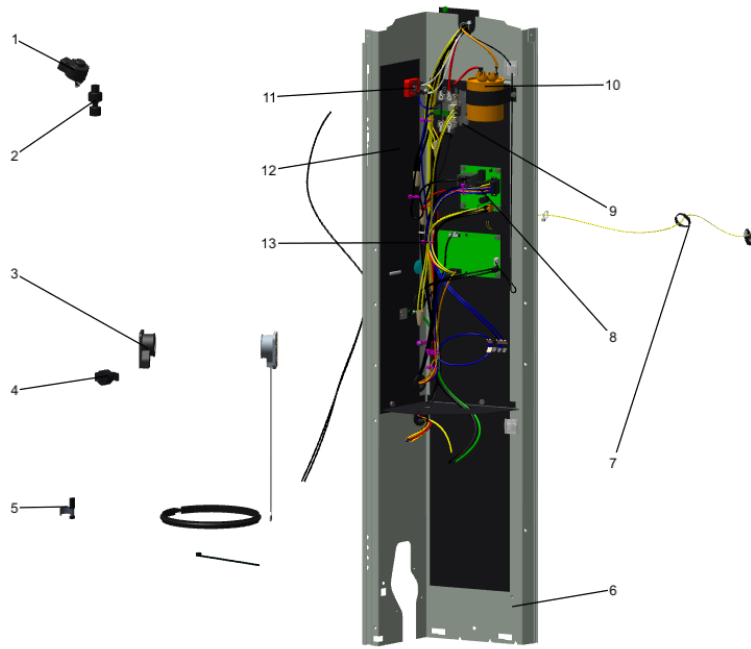
Model Number :4TTX7036E1000AA

Part No.	Reference No.	Quantity	Description
0000037010~P	*		SCROLL COMPRESSOR



Part No.	Reference No.	Quantity	Description
COM13486	1	1	COMPRESSOR; SCROLL, MBA030C1CPA, 2.5 TON, 208/23/60/1

Part No.	Reference No.	Quantity	Description
0000036942~P	*		CONTROLS-COOLING PARTS LIST



Part No.	Reference No.	Quantity	Description
CON00241	*	2	CONNECTOR; WIRE
PAI00246	*	0	PAINT; SPRAY, TARPAULIN GRAY (SHIPPING UOM 12 OZ HAZ)
PLU00984	*	1	PLUG; LOCKING HOLE
PNL25790	*	1	PANEL, CONTROL PANEL BASE, 39.14 HEIGHT
RLY03865	*	1	RELAY; DELAY ON
SCR01918	*	5	SCREW, 10-24 THREAD ROLL, INDENT HEX WASHER HD
SHD00387	*	2	SHIELD; MOISTURE, 10.25 X 4.00
SRP00093	*	1	STRAP;CAPACITOR
TER00312	*	2	TERMINAL; 8IN. TIE CABLE
THT03236	*	1	THERMOSTAT; HIGH TEMP
TIE00007	*	2	TIE;CABLE
WIR10568	*	1	WIRE; HARNESS-CONTROL PANEL
CTR00845	9	1	CONTACTOR; 30 AMP, 240/480/600V, 24V COIL, 1 POLE
CPT00668	10	1	CAPACITOR; DUAL, 440V, 40/5 MFD, ROUND, W/O RESISTOR

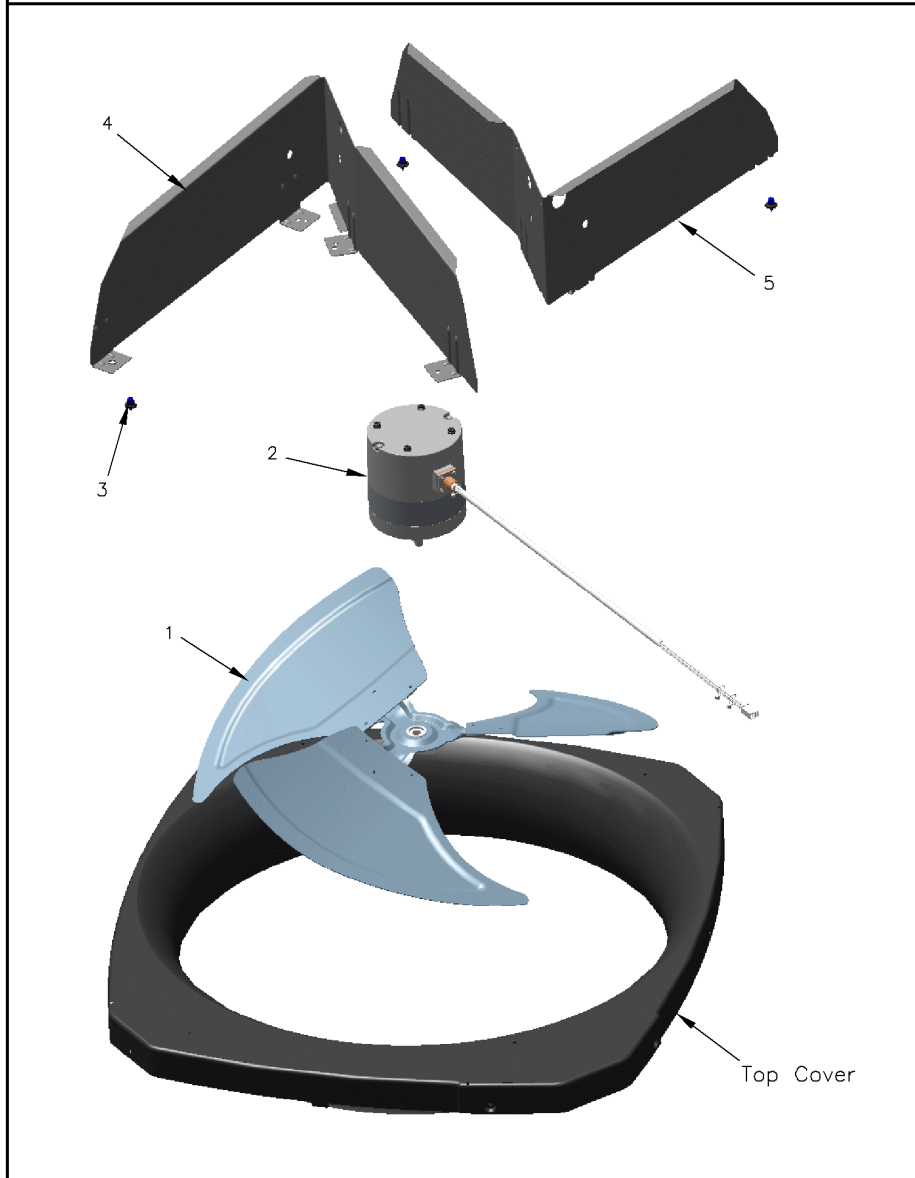
Part No.	Reference No.	Quantity	Description
0000033056~P	*		FAN PARTS LIST

FAN

75010290

REV
A

TYPICAL ILLUSTRATION



Part No.	Reference No.	Quantity	Description
GRD01416	*	1	GUARD, TROUGH-LEAD
KIT18706	*	2	KIT; REPLACEMENT FAN BRACKETS (KIT INCLUDES BOTH MOTOR MOUNT SUPPORT BRACKETS, 3-ISR00047, 3-SCR02027 AND 3-SCR02054)
SCR02010	*	3	SCREW; 12-18 AB HXW 1/2 SN
SCR02054	*	3	SCREW; 12-18 AB HXW 1/2 SN
SCR02086	*	4	SCREW; 10-32 TR-3 HXW 3/8 S
FAN04321	1	1	FAN; 2 SWEPT BLADE, 27.5" DIA, 21 DEGREES PITCH, .50" BORE, CCW, ALUMINUM, 1 SET SCREW-STEEL
MOT16968	2	1	MOTOR; 1/8 HP
ISR00047	3	3	ISOLATOR; VIBRATION, 0.700 OD DIA X 0.350 ID DIA
SCR02027	3A	3	SCREW; 12-14 AB HXW 7/16 S

Part No.	Reference No.	Quantity	Description
0000036907~P	*		MODEL NUMBER DESCRIPTION PARTS LIST

MODEL NUMBER DESCRIPTION

75005586

REV
D

OUTDOOR UNITS

Example Model Number:

4 TWV 00 3 6 A 1 0 0 0 A A
1 - - - 5 - - - 10 - - - 15

Digit 1 – Refrigerant Type

2 = R-22
4 = R-410A

Digit 2 – Trane

Digit 3 – Product Type

W = Split Heat Pump
T = Split Cooling

Digit 4 – Product Family

V = Variable Speed
Z = Leadership - Two Stage
X = Leadership
R = Replacement/Retail
M or B = Basic
A = Light Commercial
L = Side Discharge

Digit 5 – Family SEER

3 = 13 7 = 17
4 = 14 9 = 19
5 = 15 9 = 19
6 = 16 0 = 20

Digits 6 – Split System Connections 1-6 Tons

0 = Brazed

Digits 7,8 – Nominal Capacity in 000s BTUs

Digit 9 – Major Design Modifications

Digit 10 – Power Supply

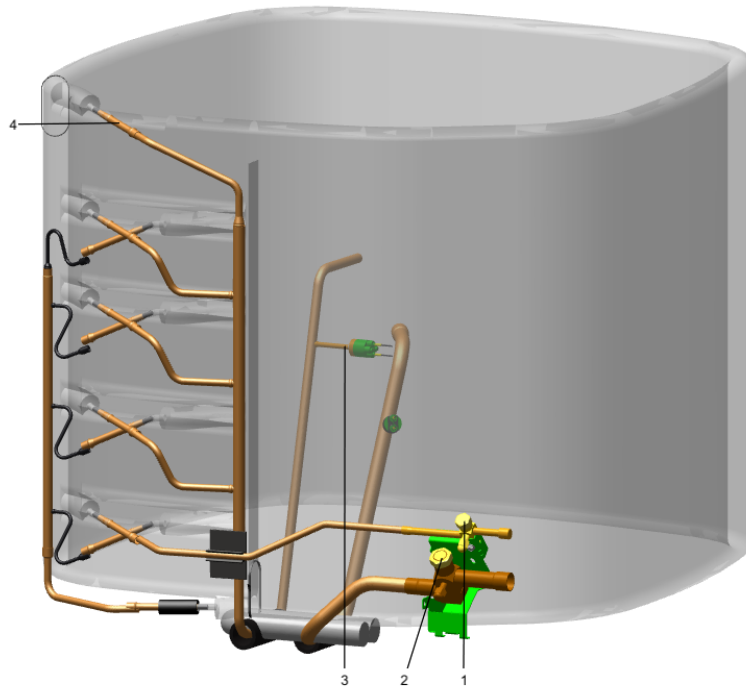
1 = 200-230/1/60 or 208-230/1/60
3 = 200-230/3/60
4 = 460/3/60

Digit 11,12,13 – Secondary Function

Digit 14 – Minor Design Modifications

Digit 15 – Unit Parts Identifier

Part No.	Reference No.	Quantity	Description
0000036929~P	*		REFRIGERANT PARTS LIST



Part No.	Reference No.	Quantity	Description
BRK03020	*	1	BRACKET; VALVE
COL28470	*	0	COIL; CONDENSER, SPINE FIN
PAI00246	*	0	PAINT; SPRAY, TARPAULIN GRAY (SHIPPING UOM 12 OZ HAZ)
SCR02010	*	3	SCREW; 12-18 AB HXW 1/2 SN
SCR02054	*	3	SCREW; 12-18 AB HXW 1/2 SN
SWT03362	*	1	SWITCH; LOW PRESSURE, OPEN @ 50 PSIG CLOSE @ 70 PSIG
TER00312	*	0	TERMINAL; 8IN. TIE CABLE
TUB02810	*	14	TUBE; TRANSITION
CAP01337	1	1	CAP; SERVICE SUCTION VALVE
CAP01336	2	1	CAP; SERVICE LIQUID VALVE, BRASS, 0.75 OD X 0.57 ID X 11/16-28UN-2B
SWT04578	3	1	SWITCH; HIGH PRESSURE BZ
TUB11547	4	14	TUBE; TRANSITION ASSEMBLY