

<b>Part No.</b>	<b>Reference No.</b>	<b>Quantity</b>	<b>Description</b>
0000157287~S	*		CABINET
0000157288~S	*		CONTROLS
0000157289~S	*		FAN
0000157290~S	*		GENERAL ASSEMBLY
0000157291~S	*		MODEL NUMBER DESCRIPTION
0000157292~S	*		OPTIONAL ACCESSORIES
0000157293~S	*		REFRIGERATION

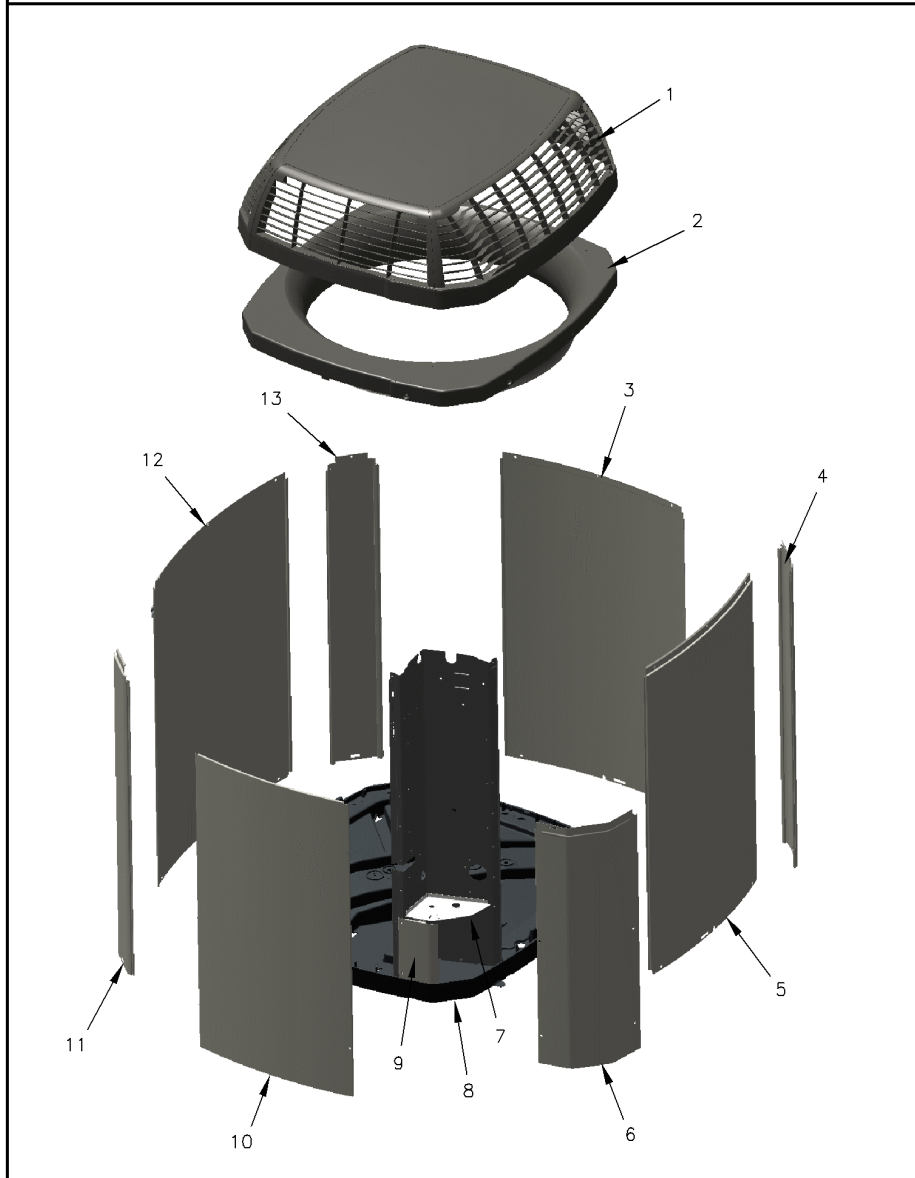
Part No.	Reference No.	Quantity	Description
0000030809~P	*		CABINERY PARTS LIST

CABINET

75010299

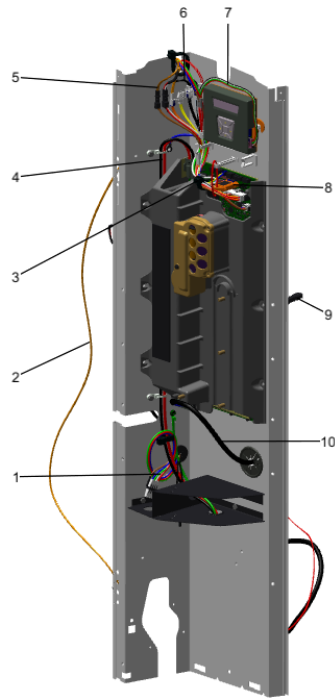
REV  
A

TYPICAL ILLUSTRATION



Part No.	Reference No.	Quantity	Description
COV03835	*	1	COVER; VALVE
PAI00246	*	0	PAINT; SPRAY, TARPAULIN GRAY (SHIPPING UOM 12 OZ HAZ)
SCR02010	*	21	SCREW; 12-18 AB HXW 1/2 SN
SCR02054	*	21	SCREW; 12-18 AB HXW 1/2 SN
BAS01834	1	1	BASE; 41.78 X 41.81 DIAGONALLY
COV05621	2	1	COVER; TOP, 36.59 X 33.59, STEEL, BLACK
PNL13009	3	2	PANEL, WRAPPER, 23.22 X 37.33
PNL13006	4	3	PANEL, CORNER POST, 3.570 X 37.33
COV04028	6	1	COVER; CONTROL PANEL, 11.32 x 30.11
PNL13159	10	1	PANEL; ACCESS, 19.88 X 36.65
PNL13006	11	1	PANEL, CORNER POST, 3.570 X 37.33
PNL13158	12	1	PANEL; WRAPPER, 27.13 X 37.33
PNL13006	13	1	PANEL, CORNER POST, 3.570 X 37.33

Part No.	Reference No.	Quantity	Description
0000030829~P	*		CONTROLS PARTS LIST



Part No.	Reference No.	Quantity	Description
DRV03690	*	1	DRIVE; KIT, 6.3 KW 5T, SP
PAI00246	*	0	PAINT; SPRAY, TARPAULIN GRAY (SHIPPING UOM 12 OZ HAZ)
SCR01918	*	13	SCREW, 10-24 THREAD ROLL, INDENT HEX WASHER HD
SHD00386	*	1	SHIELD; MOISTURE, 12.75 X 5.00
TDR00645	*	1	TRANSDUCER; PRESSURE, SUCTION, 0.5 VDC AT 14.7 PSIA, 4.5 VDC AT 400 PSIA, 1/4" SAE FEMALE FLARE WITH DEFLATOR, 7/16-20 UNF-2B 5/8 ACROSS FLATS, 72 IN
TER00312	*	6	TERMINAL; 8IN. TIE CABLE
TIE00007	*	6	TIE;CABLE
WIR11185	1	1	WIRE; CLS/CAN HARNESS
SEN03002	2	1	SENSOR; SUCTION LINE
WIR11186	3	1	WIRE; SENSOR HARNESS
WIR07183	4	1	WIRE; HARNESS-POWER HV, BLK/BLU, BRN/RED WIRES, 2 PIN MOLEX PLUG, 36 IN LENGTH
SEN03022	5	1	SENSOR; LIQUID
SEN02603	6	1	SENSOR; AMBIENT, 36 INCH BLACK WIRES
WIR07134	7	0	WIRE; HARNESS, CONTROL DISPLAY ASSEMBLY, (2) 4 PIN CONNECTORS, RED-GRN-WHT-BLK WIRES
MOD01574	8	1	MODULE; TO ORDER-SEE EXT NOTE
SEN02136	9	1	SENSOR; DOME, NTC THERMISTOR, TEMP RANGE -40C TO 150C, 1.69 L WITH MOLEX CONNECTOR AND 80 IN LEADS
WIR07184	10	1	WIRE; HARNESS, COMPRESSOR SHIELD ASSEMBLY, MOLDED PLUG, 12 AWG, 50 INCH LENGTH

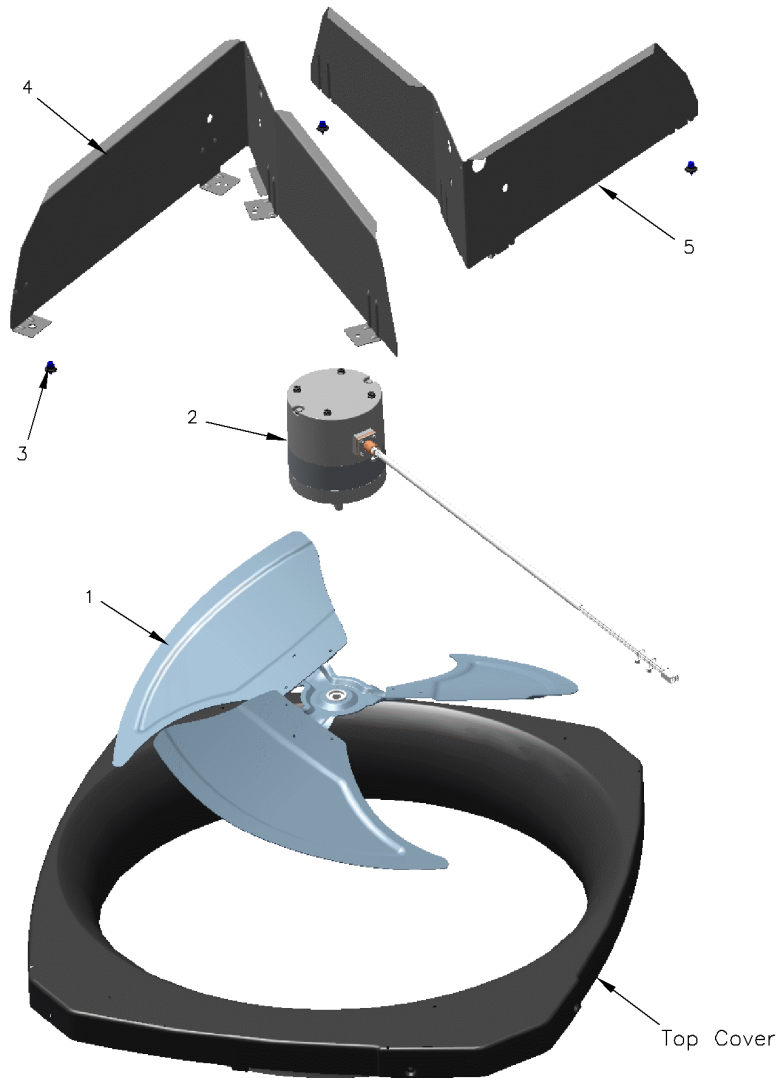
Part No.	Reference No.	Quantity	Description
0000030839~P	*		FAN PARTS LIST

FAN

75010290

REV  
A

TYPICAL ILLUSTRATION



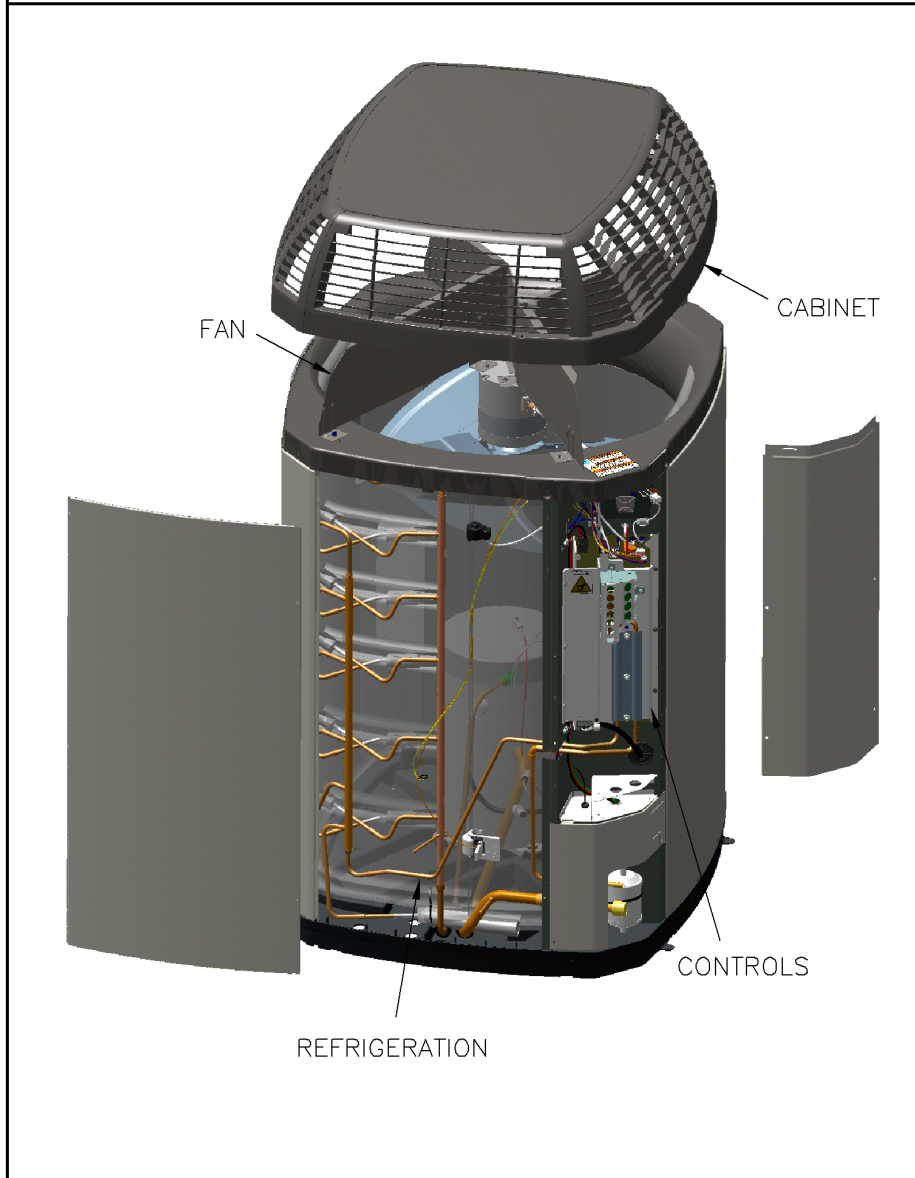
Part No.	Reference No.	Quantity	Description
SCR02010	*	3	SCREW; 12-18 AB HXW 1/2 SN
SCR02054	*	3	SCREW; 12-18 AB HXW 1/2 SN
SCR02086	*	4	SCREW; 10-32 TR-3 HXW 3/8 S
FAN04368	1	1	FAN, 3 SWEPT BLADE, 27.5" DIA, 26 DEG PITCH, 0.50" BORE, CCW, ALUMINUM
MOT19352	2	1	MOTOR; 1/3 HP 48 FRAME ECM
ISR00047	3a	3	ISOLATOR; VIBRATION, 0.700 OD DIA X 0.350 ID DIA
SCR02027	3b	3	SCREW; 12-14 AB HXW 7/16 S
KIT18706	4	2	KIT; REPLACEMENT FAN BRACKETS (KIT INCLUDES BOTH MOTOR MOUNT SUPPORT BRACKETS, 3-ISR00047, 3-SCR02027 AND 3-SCR02054)

Part No.	Reference No.	Quantity	Description
0000018676~P	*		GENERAL ASSEMBLY GRAPHIC

SPLIT SYSTEM COOLING  
VARIABLE SPEED  
TYPICAL ILLUSTRATION

75010343

REV  
A



Part No.	Reference No.	Quantity	Description
000006277~P	*		MODEL NUMBER GRAPHIC

MODEL NUMBER DESCRIPTION

75005586

REV  
D

OUTDOOR UNITS

*Example Model Number:*

**4 TWV 00 3 6 A 1 0 0 0 A A**  
1 - - - 5 - - - 10 - - - 15

**Digit 1 – Refrigerant Type**

2 = R-22  
4 = R-410A

**Digit 2 – Trane**

**Digit 3 – Product Type**

W = Split Heat Pump  
T = Split Cooling

**Digit 4 – Product Family**

V = Variable Speed  
Z = Leadership - Two Stage  
X = Leadership  
R = Replacement/Retail  
M or B = Basic  
A = Light Commercial  
L = Side Discharge

**Digit 5 – Family SEER**

3 = 13      7 = 17  
4 = 14      9 = 19  
5 = 15      9 = 19  
6 = 16      0 = 20

**Digits 6 – Split System Connections 1-6 Tons**

0 = Brazed

**Digits 7,8 – Nominal Capacity in 000s BTUs**

**Digit 9 – Major Design Modifications**

**Digit 10 – Power Supply**

1 = 200-230/1/60 or 208-230/1/60  
3 = 200-230/3/60  
4 = 460/3/60

**Digit 11,12,13 – Secondary Function**

**Digit 14 – Minor Design Modifications**

**Digit 15 – Unit Parts Identifier**

Part No.	Reference No.	Quantity	Description
0000018777~P	*		OPTIONAL ACCESSORIES LIST

Part No.	Reference No.	Quantity	Description
BAYECMT004	*	1	KIT; EXTREME MOUNTING CONDITION (BAYECMT004)
BAYISLT101	*	1	KIT; ISOLATOR (BAYISLT101) (CONTAINS A QTY OF 5 ISOLATORS)
BAYLEGS004	*	1	KIT; SNOW LEGS, CONTAINS (4) 4" MOUNTING LEGS
BAYLEGS007	*	1	KIT; SNOW LEGS, CONTAINS (4) 7" MOUNTING LEGS
BAYVDTA004	*	1	KIT; VERTICAL AIR DISCHARGE (BAYVDTA004)
BAYVSEN002	*	1	KIT; ENHANCED, SOUND ENCLOSURE, INCLUDES NOISE ENCLOSURE, SOUND PLATES & (4) VIBRATION ISOLATORS
KIT18738	*	1	KIT; CRITTER FOAM
PAI00309	*	1	PAINT; DARK BROWN, 12 OZ SPRAY CAN, HERESITE AIR DRY PHENOLIC COATING, VR-554T

REFRIGERATION

Parts List Number :0000157286

Model Number :4TTV0X48A1000AA

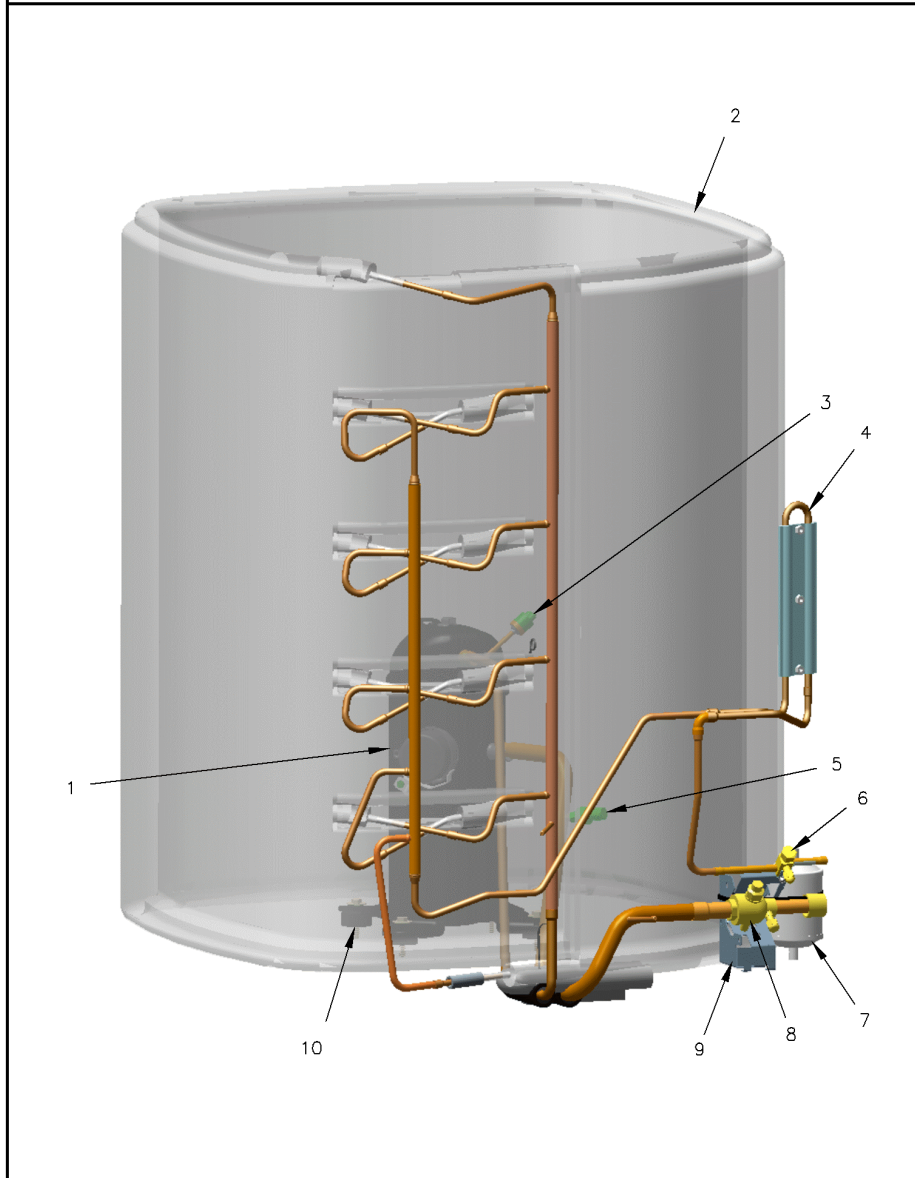
Part No.	Reference No.	Quantity	Description
0000030846~P	*		REFRIGERANT SYSTEM

REFRIGERATION

75010345

REV  
B

TYPICAL ILLUSTRATION



Part No.	Reference No.	Quantity	Description
CAP00156	*	0	CAP, TUBE PLUG, .447-.513 OD
CAP01336	*	1	CAP; SERVICE LIQUID VALVE, BRASS, 0.75 OD X 0.57 ID X 11/16-28UN-2B
CAP01412	*	1	CAP; SERVICE VALVE, BRASS, 1.00 OD X 0.57 ID X M18 X 1-6H
COR00103	*	1	CORE; VALVE, .79 LENGTH, .206-36 UNS-1 MOD. THD
PAI00246	*	0	PAINT; SPRAY, TARPAULIN GRAY (SHIPPING UOM 12 OZ HAZ)
SCR02010	*	3	SCREW; 12-18 AB HXW 1/2 SN
SCR02054	*	3	SCREW; 12-18 AB HXW 1/2 SN
SLV00082	*	0	SLEEVE;
SLV00083	*	0	SLEEVE;
TER00312	*	0	TERMINAL; 8IN. TIE CABLE
TIE00007	*	0	TIE;CABLE
TIE00023	*	4	TIE;CABLE, 8.00IN.
TUB02810	*	10	TUBE; TRANSITION
TUB11547	*	10	TUBE; TRANSITION ASSEMBLY
TUB13648	*	1	TUBE; LIQUID
COM10830	1	1	COMPRESSOR; SCROLL, RPA035A1CPA, 2.9 TON, 208V/60/1, R-410A, 3/4 SUCTION, 1/2 DISCHARGE, STUB TUBE
COL21420	2	0	COIL; CONDENSER, SPINE-FIN
SWT03832	3	1	SWITCH; HIGH PRESSURE, SPST, OPEN AT 650 PSIG, CLOSE AT 500 PSIG, 90 INCH QC LEADS, BRAZED
VAL09293	4	1	VALVE, SERVICE LIQUID, .38 OD X .38 OD, VALVE ASSY
TDR00771	5	1	TRANSDUCER; LIQUID
VAL20231	6	1	VALVE; SER GAS 0 (14-14-14)
BRK03696	9	1	BRACKET; VALVE