

Part No.	Reference No.	Quantity	Description
0000130068~S	*		CABINET
0000130069~S	*		CONTROLS
0000130070~S	*		FAN
0000130067~S	*		GENERAL ASSEMBLY
0000130073~S	*		MODEL NUMBER DESCRIPTION
0000130072~S	*		OPTIONAL ACCESSORIES
0000130071~S	*		REFRIGERATION

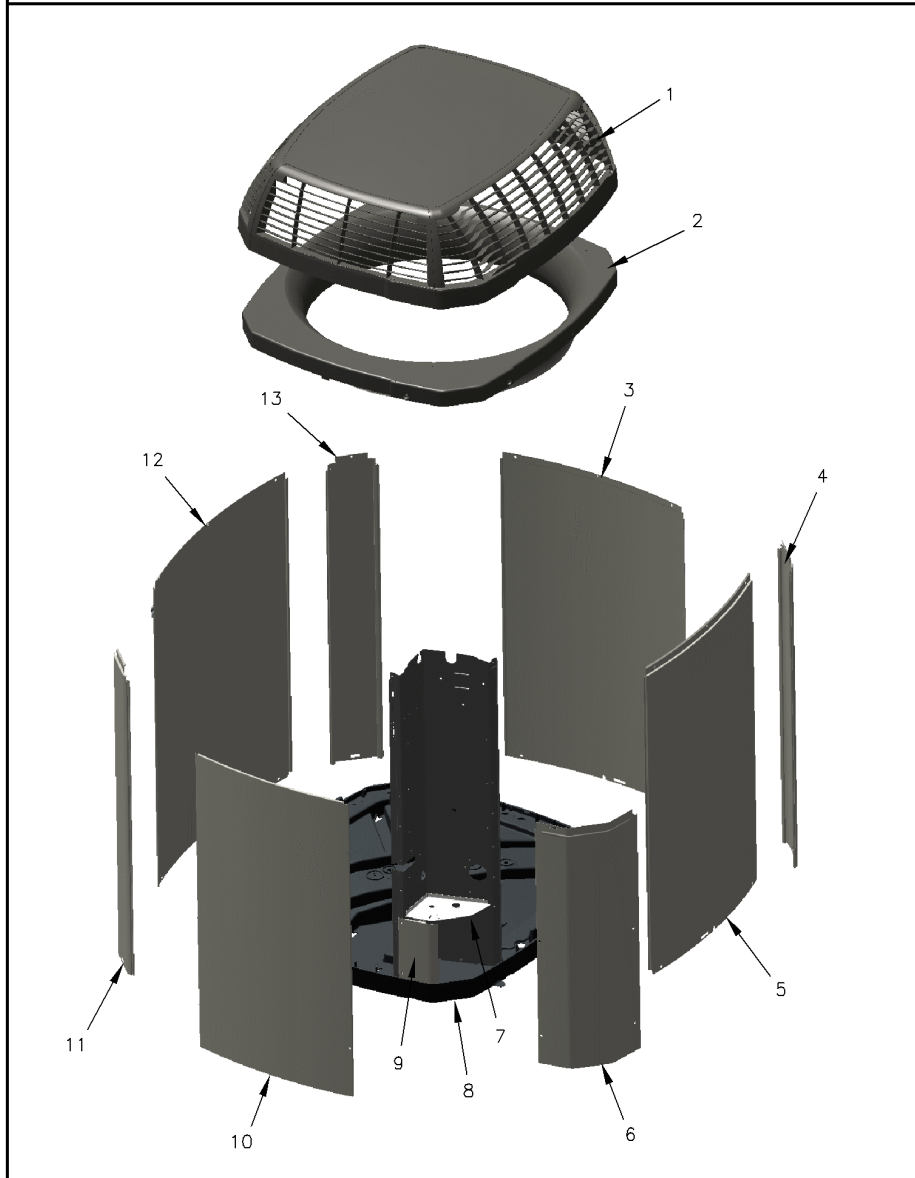
Part No.	Reference No.	Quantity	Description
0000018156~P	*		CABINET PARTS LIST

CABINET

75010299

REV
A

TYPICAL ILLUSTRATION



Part No.	Reference No.	Quantity	Description
PAI00246	*	1	PAINT; SPRAY, TARPAULIN GRAY (SHIPPING UOM 12 OZ HAZ)
SCR02010	*	19	SCREW; 12-18 AB HXW 1/2 SN
COV05617	1	1	COVER; BLACK, TOP APPEARANCE ASSEMBLY, 37.16 X 34.14 X 8.15 HIGH
COV05621	2	1	COVER; TOP, 36.59 X 33.59, STEEL, BLACK
PNL25809	3	1	PANEL; WRAPPER, 23 X 41
PNL25807	4	1	PANEL; CORNER POST, 3.57 X 41.33
PNL25809	5	1	PANEL; WRAPPER, 23 X 41
COV04028	6	1	COVER; CONTROL PANEL, 11.32 x 30.11
COV03228	7	1	COVER, CONTROL BOTTOM
BAS01834	8	1	BASE; 41.78 X 41.81 DIAGONALLY
COV03225	9	1	COVER, VALVE, 11.32 X 11.42
PNL25810	10	1	PANEL; ACCESS, 19.84 X 40.65
PNL25807	11	1	PANEL; CORNER POST, 3.57 X 41.33
PNL25808	12	1	PANEL; WRAPPER, 27 X 41.33
PNL25807	13	1	PANEL; CORNER POST, 3.57 X 41.33

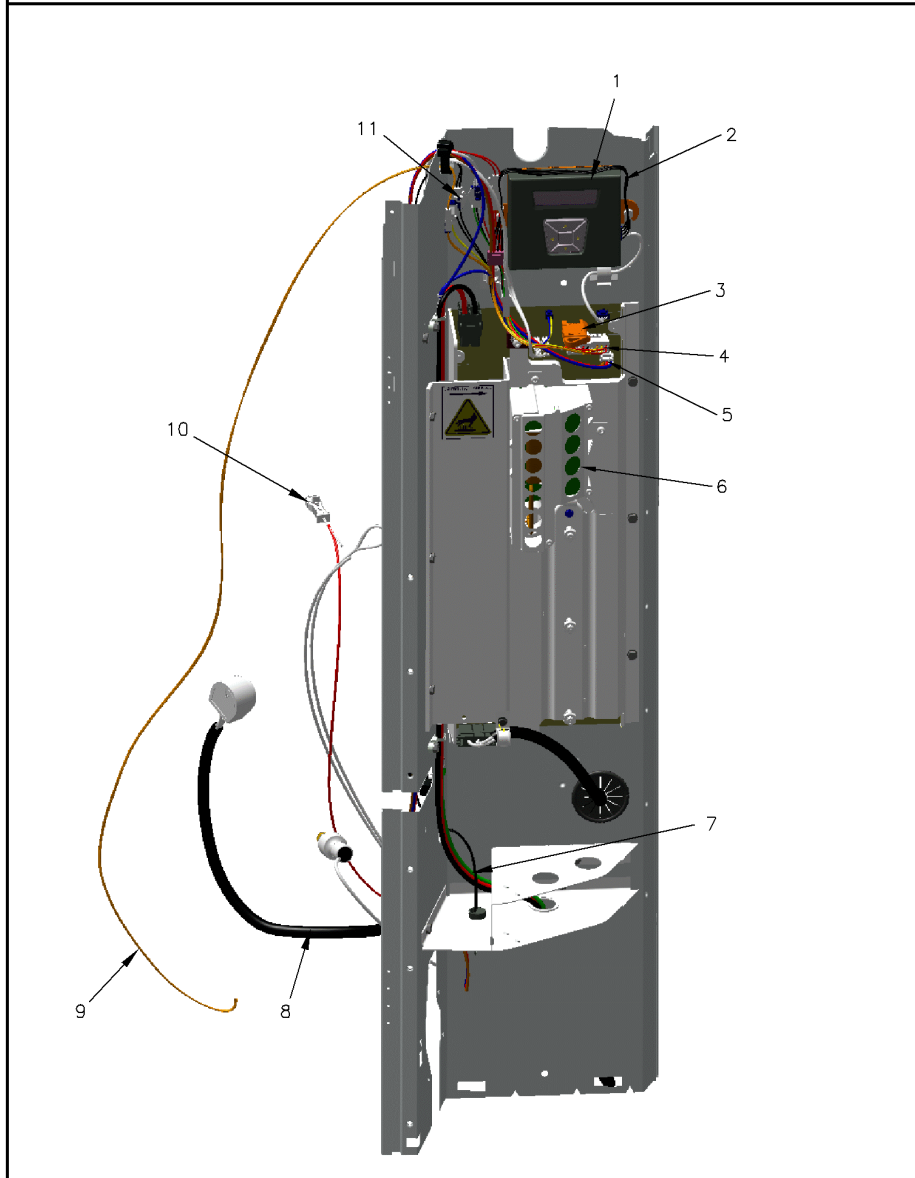
Part No.	Reference No.	Quantity	Description
0000018717~P	*		CONTROLS PARTS LIST

CONTROLS

75010346

REV
A

TYPICAL ILLUSTRATION



Part No.	Reference No.	Quantity	Description
CLP01039	*	1	CLIP; STRAIN RELIEF
SHD00386	*	1	SHIELD; MOISTURE, 12.75 X 5.00
CNT07026	1	1	CONTROL; DISPLAY ASSEMBLY
WIR07134	2	1	WIRE; HARNESS, CONTROL DISPLAY ASSEMBLY, (2) 4 PIN CONNECTORS, RED-GRN-WHT-BLK WIRES
MOD01574	3	1	MODULE; TO ORDER-SEE EXT NOTE
WIR10517	4	1	WIRE; HARNESS-SENSOR JUNCTION, 18 PIN DRIVE BULKHEAD, INCL CONNECTORS FOR THESE SENSORS: SUCTION PRESS, ODS, STS, CBS, DTS, YL GR TO MOTOR, YL BL TO PWM
WIR07941	5	1	WIRE; HARNESS-CL-2 FIELD
DRV03554	6	1	DRIVE; VS DRIVE ASM
WIR07183	7	1	WIRE; HARNESS-POWER HV, BLK/BLU, BRN/RED WIRES, 2 PIN MOLEX PLUG, 36 IN LENGTH
WIR07185	8	1	WIRE; HARNESS, COMPRESSOR SHIELD ASSEMBLY, MOLDED PLUG, 10 AWG, 54 INCH LENGTH
SEN03002	9	1	SENSOR; SUCTION LINE
SEN02136	10	1	SENSOR; DOME, NTC THERMISTOR, TEMP RANGE -40C TO 150C, 1.69 L WITH MOLEX CONNECTOR AND 80 IN LEADS
SEN02603	11	1	SENSOR; AMBIENT, 36 INCH BLACK WIRES

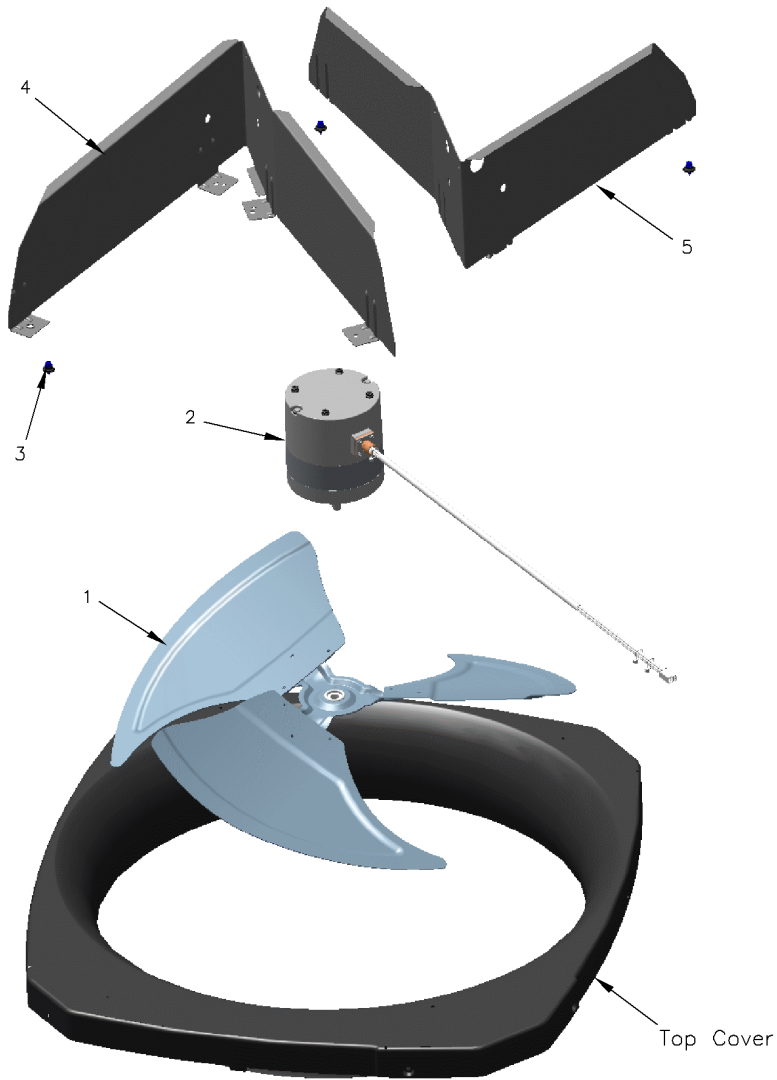
Part No.	Reference No.	Quantity	Description
0000018856~P	*		FAN PARTS LIST

FAN

75010290

REV
A

TYPICAL ILLUSTRATION



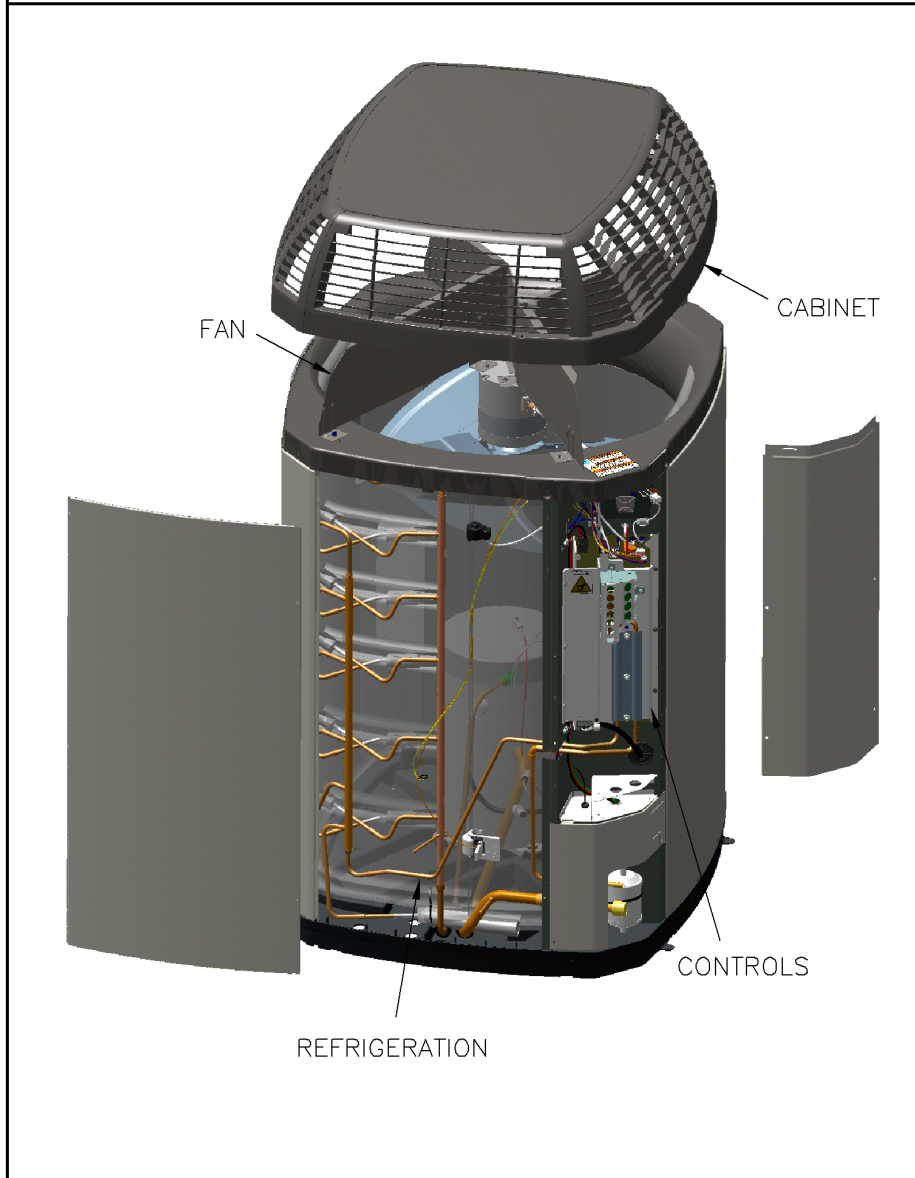
Part No.	Reference No.	Quantity	Description
SCR02010	*	3	SCREW; 12-18 AB HXW 1/2 SN
SCR02086	*	4	SCREW; 10-32 TR-3 HXW 3/8 S
FAN04368	1	1	FAN, 3 SWEPT BLADE, 27.5" DIA, 26 DEG PITCH, 0.50" BORE, CCW, ALUMINUM
MOT16196	2	1	MOTOR; 1/3 HP, TWO SPEED, 200-240/60/1, 200-1200 RPM, 48 FRAME, ECM
ISR00047	3A	3	ISOLATOR; VIBRATION, 0.700 OD DIA X 0.350 ID DIA
SCR02027	3B	3	SCREW; 12-14 AB HXW 7/16 S
KIT18706	4	1	KIT; REPLACEMENT FAN BRACKETS (KIT INCLUDES BOTH MOTOR MOUNT SUPPORT BRACKETS, 3-ISR00047, 3-SCR02027 AND 3-SCR02054)

Part No.	Reference No.	Quantity	Description
0000018676~P	*		GENERAL ASSEMBLY GRAPHIC

SPLIT SYSTEM COOLING
VARIABLE SPEED
TYPICAL ILLUSTRATION

75010343

REV
A



Part No.	Reference No.	Quantity	Description
000006277~P	*		MODEL NUMBER GRAPHIC

MODEL NUMBER DESCRIPTION

75005586

REV
D

OUTDOOR UNITS

Example Model Number:

4 TWV 00 3 6 A 1 0 0 0 A A

1 - - - 5 - - - 10 - - - 15

Digit 1 – Refrigerant Type

2 = R-22
4 = R-410A

Digit 2 – Trane

Digit 3 – Product Type

W = Split Heat Pump
T = Split Cooling

Digit 4 – Product Family

V = Variable Speed
Z = Leadership - Two Stage
X = Leadership
R = Replacement/Retail
M or B = Basic
A = Light Commercial
L = Side Discharge

Digit 5 – Family SEER

3 = 13 7 = 17
4 = 14 9 = 19
5 = 15 9 = 19
6 = 16 0 = 20

Digits 6 – Split System Connections 1-6 Tons

0 = Brazed

Digits 7,8 – Nominal Capacity in 000s BTUs

Digit 9 – Major Design Modifications

Digit 10 – Power Supply

1 = 200-230/1/60 or 208-230/1/60
3 = 200-230/3/60
4 = 460/3/60

Digit 11,12,13 – Secondary Function

Digit 14 – Minor Design Modifications

Digit 15 – Unit Parts Identifier

Part No.	Reference No.	Quantity	Description
0000018777~P	*		OPTIONAL ACCESSORIES LIST

Part No.	Reference No.	Quantity	Description
BAYECMT004	*	1	KIT; EXTREME MOUNTING CONDITION (BAYECMT004)
BAYISLT101	*	1	KIT; ISOLATOR (BAYISLT101) (CONTAINS A QTY OF 5 ISOLATORS)
BAYLEGS004	*	1	KIT; SNOW LEGS, CONTAINS (4) 4" MOUNTING LEGS
BAYLEGS007	*	1	KIT; SNOW LEGS, CONTAINS (4) 7" MOUNTING LEGS
BAYVDTA004	*	1	KIT; VERTICAL AIR DISCHARGE (BAYVDTA004)
BAYVSEN002	*	1	KIT; ENHANCED, SOUND ENCLOSURE, INCLUDES NOISE ENCLOSURE, SOUND PLATES & (4) VIBRATION ISOLATORS
KIT18738	*	1	KIT; CRITTER FOAM
PAI00309	*	1	PAINT; DARK BROWN, 12 OZ SPRAY CAN, HERESITE AIR DRY PHENOLIC COATING, VR-554T

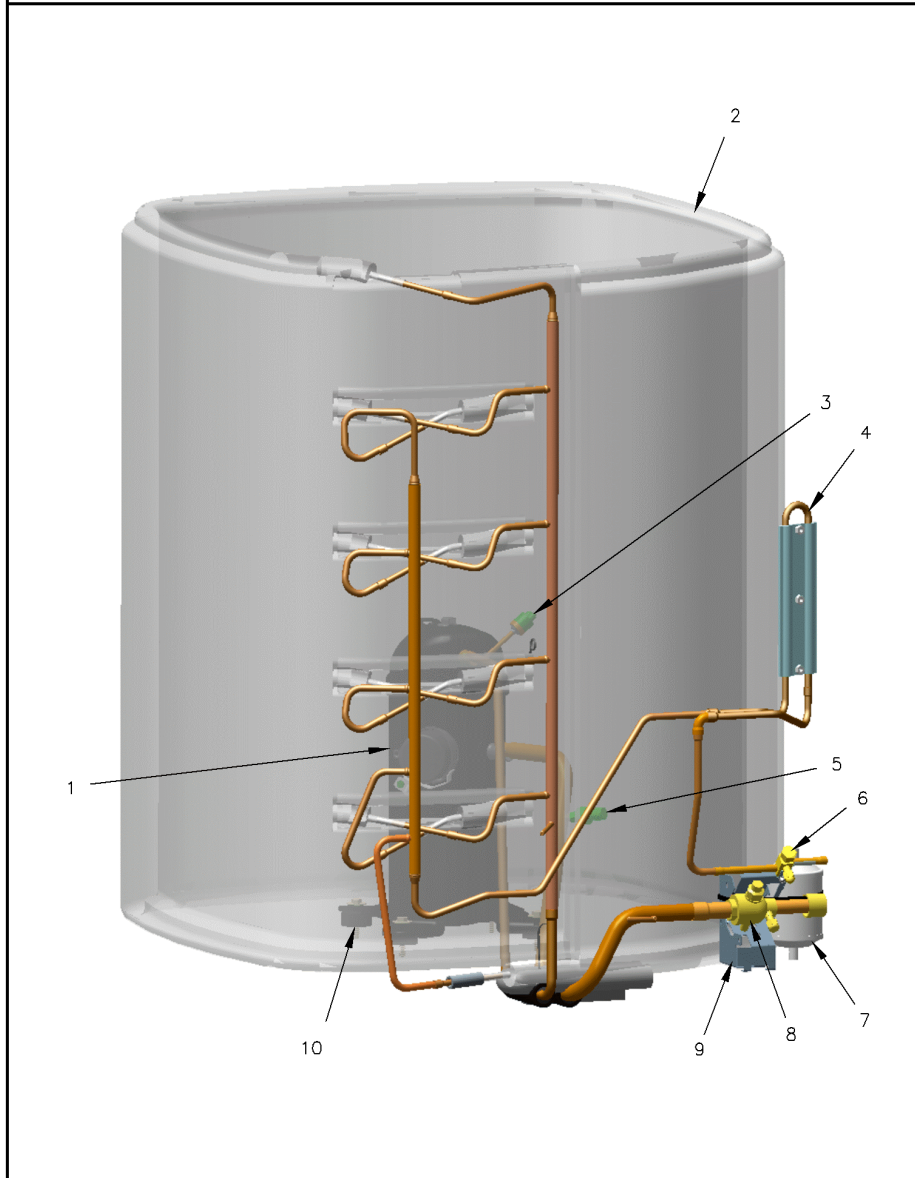
Part No.	Reference No.	Quantity	Description
0000018704~P	*		REFRIGERATION PARTS LIST

REFRIGERATION

75010345

REV
B

TYPICAL ILLUSTRATION



Part No.	Reference No.	Quantity	Description
ATT00501	*	1	ATTENUATOR; SOUND ENCLOSURE, 17.03 H X 8.4 ID X 10.5 OD
BOD00114	*	1	BODY; VALVE, BRASS, 7/16 HEX, 7/16 -20 UNF-2A
COR00103	*	1	CORE; VALVE, .79 LENGTH, .206-36 UNS-1 MOD. THD
GRM01026	*	1	GROMMET; COLD PLATE TUBING, 2.65 X 1.01, (2) 0.50 DIA HOLES
SHD00423	*	1	SHIELD; SALT, 47.75 X 8.00
SPC00382	*	1	SPACER; ORIFICE
SPC00386	*	1	SPACER; BASE, 5.50 X 1.00 X 0.50
SPC00512	*	3	SPACER; TUBING
COM10831	1	1	COMPRESSOR; SCROLL, RPA044A1CPA, 3.6 TON, 208V/60/1, R-410A, 3/4 SUCTION, 1/2 DISCHARGE, STUB TUBE
COL25306	2	1	COIL ASM-REPL
SWT03749	3	1	SWITCH; HIGH PRESSURE, SPST, OPEN AT 650 PSIG, CLOSE AT 500 PSIG, 83 INCH QC LEADS, BRAZED
TUB13648	4	1	TUBE; LIQUID
TDR00645	5	1	TRANSDUCER; PRESSURE, SUCTION, 0.5 VDC AT 14.7 PSIA, 4.5 VDC AT 400 PSIA, 1/4" SAE FEMALE FLARE WITH DEFLATOR, 7/16-20 UNF-2B 5/8 ACROSS FLATS, 72 IN
VAL09293	6	1	VALVE, SERVICE LIQUID, .38 OD X .38 OD, VALVE ASSY
DHY01452	7	1	DRIER; BI-FLOW; SERVICE FIRST; 16 CU. IN; DCB163S, 3/8 ODF CONNECTIONS; 5.7 TON CAPACITY; APPROVED FOR MINERAL OIL AND POE OIL REFRIGERANTS; MANUFACTU
VAL07328	8	1	VALVE, SERVICE GAS, .88 OD X .88 OD, BALL VALVE ASSY, BRASS, FEMALE BRAZE TO FEMALE BRAZE, LEFT HAND SERVICE PORT
BRK03696	9	1	BRACKET; VALVE
SCR01914	10	4	SCREW, ASSEMBLY COMPRESSOR, 5/16-12 TYPE B, W/WASHER & SLEEVE