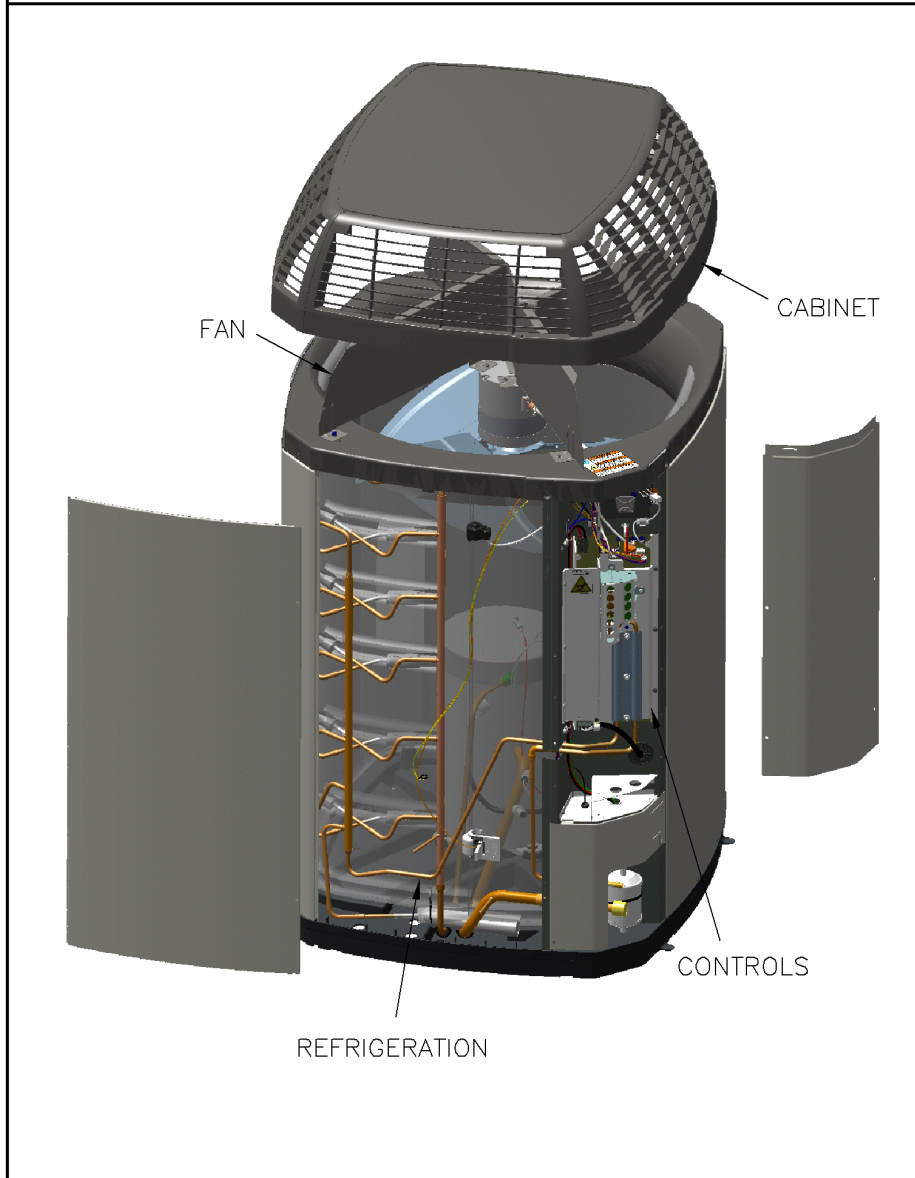


SPLIT SYSTEM COOLING
VARIABLE SPEED
TYPICAL ILLUSTRATION

75010343

REV
A

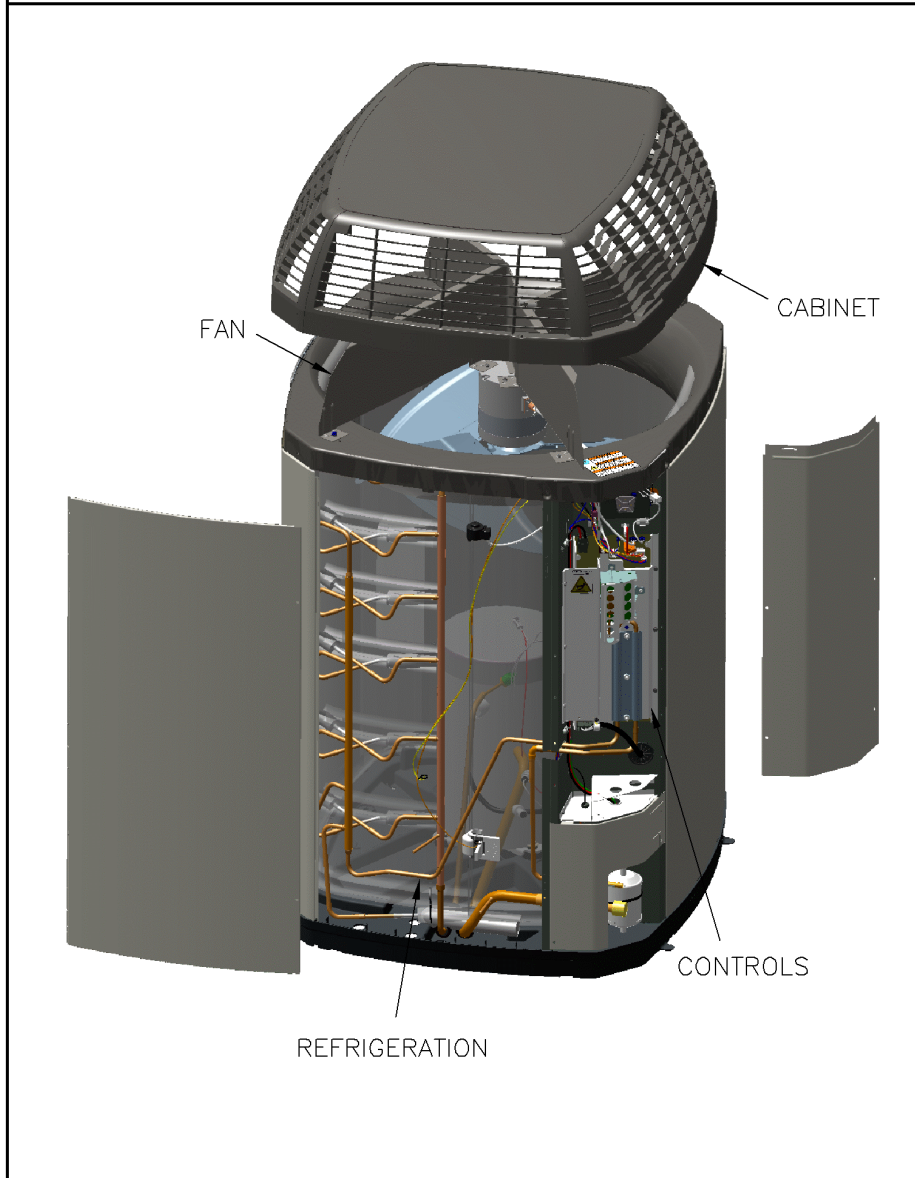


| Part No. | Reference No. | Quantity | Description |
|----------------------------|----------------------|-----------------|---------------------------------|
| 75010299#4TTV0UP1~S | * | | CABINET |
| 75010346#4TTV0UP1~S | * | | CONTROLS |
| 75010290#4TTV0UP1~S | * | | FAN |
| 75005586#4TTV0UP1~S | * | | MODEL NUMBER DESCRIPTION |
| OPTIONS#4TTV0UP1~S | * | | OPTIONAL ACCESSORIES |
| 75010345#4TTV0UP1~S | * | | REFRIGERATION |
| 75010343_4TTV0UP1_144598~P | * | | SPLIT SYSTEM COOLING PARTS LIST |

SPLIT SYSTEM COOLING
VARIABLE SPEED
TYPICAL ILLUSTRATION

75010343

REV
A

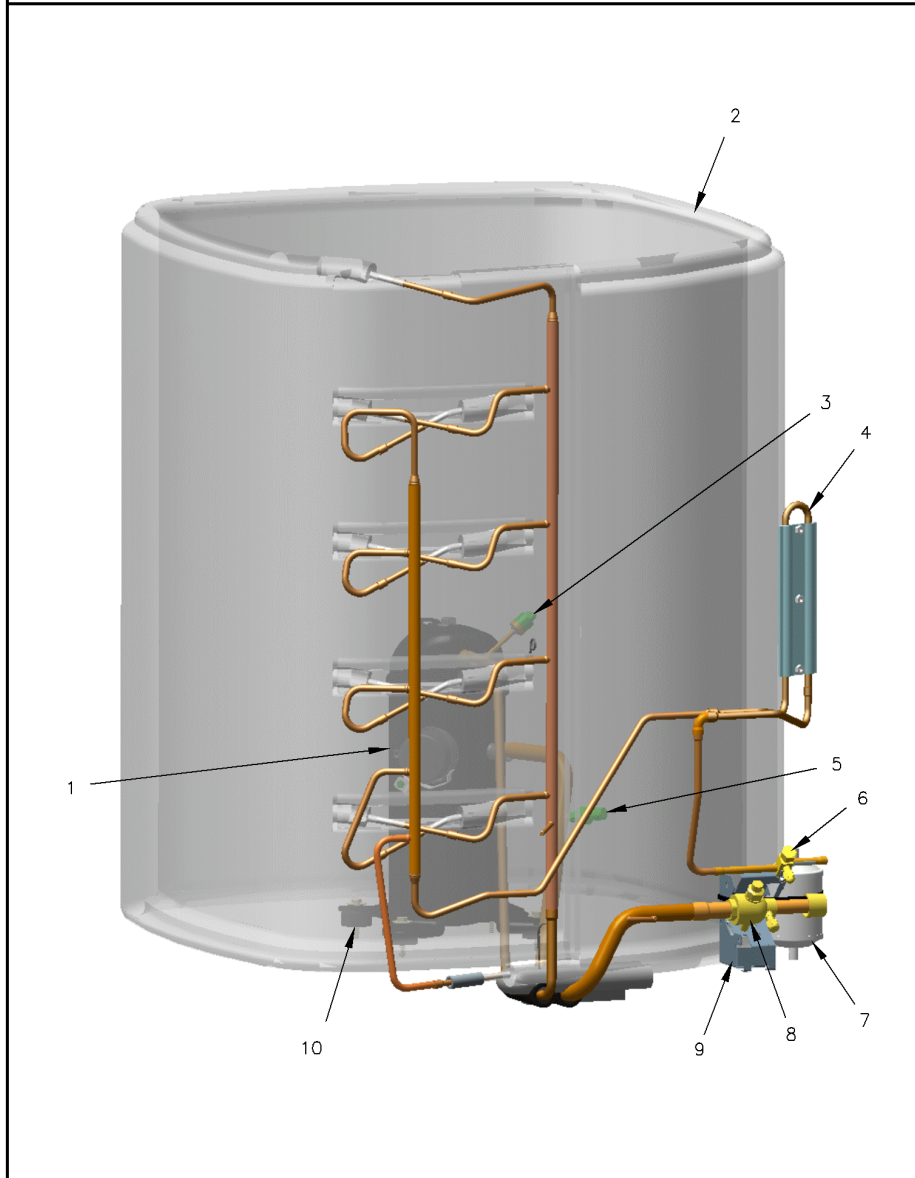


REFRIGERATION

75010345

REV
B

TYPICAL ILLUSTRATION



REFRIGERATION

Parts List Number :75010343#4TTV0UP1

Model Number :4TTV0036B1000CC

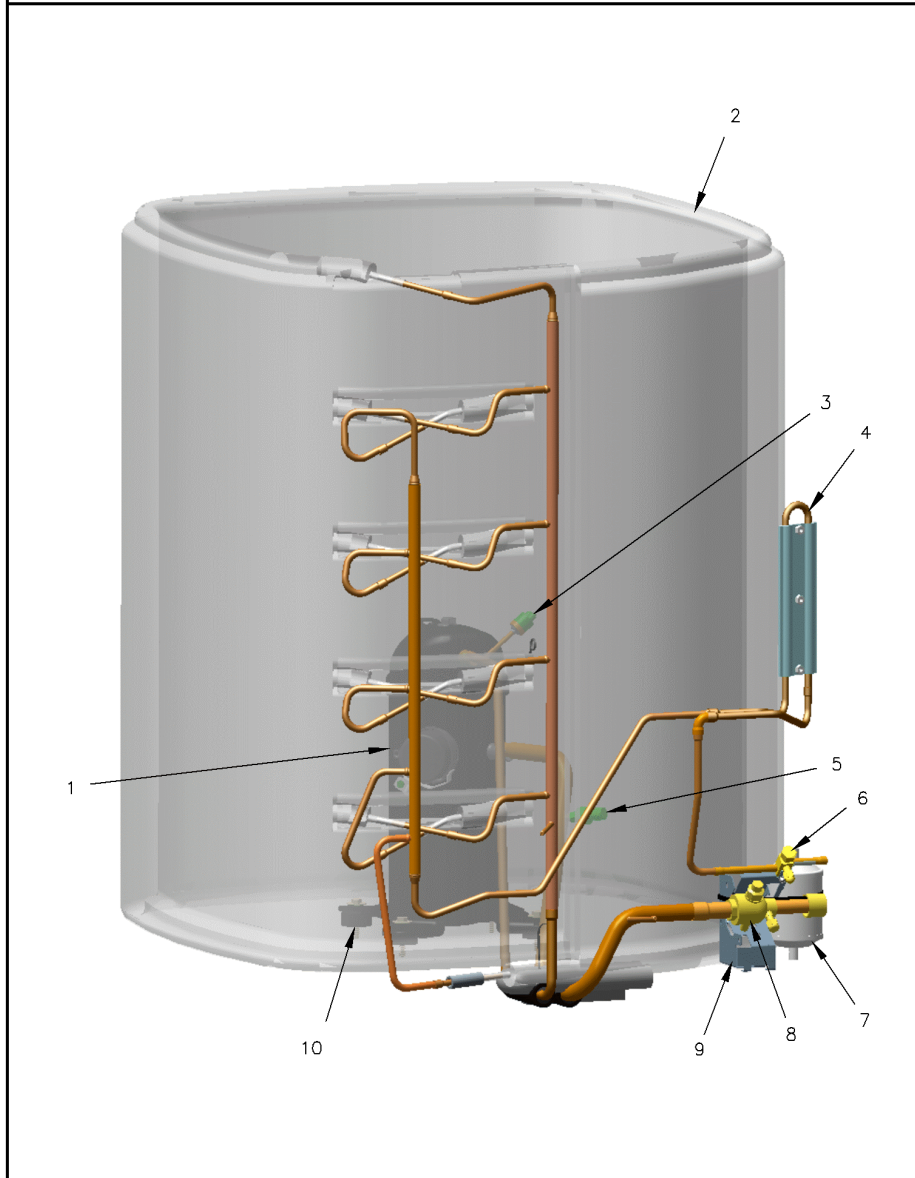
| Part No. | Reference No. | Quantity | Description |
|----------------------------|---------------|----------|--------------------------|
| 75010345_4TTV0UP1_144605~P | * | | REFRIGERATION PARTS LIST |

REFRIGERATION

75010345

REV
B

TYPICAL ILLUSTRATION



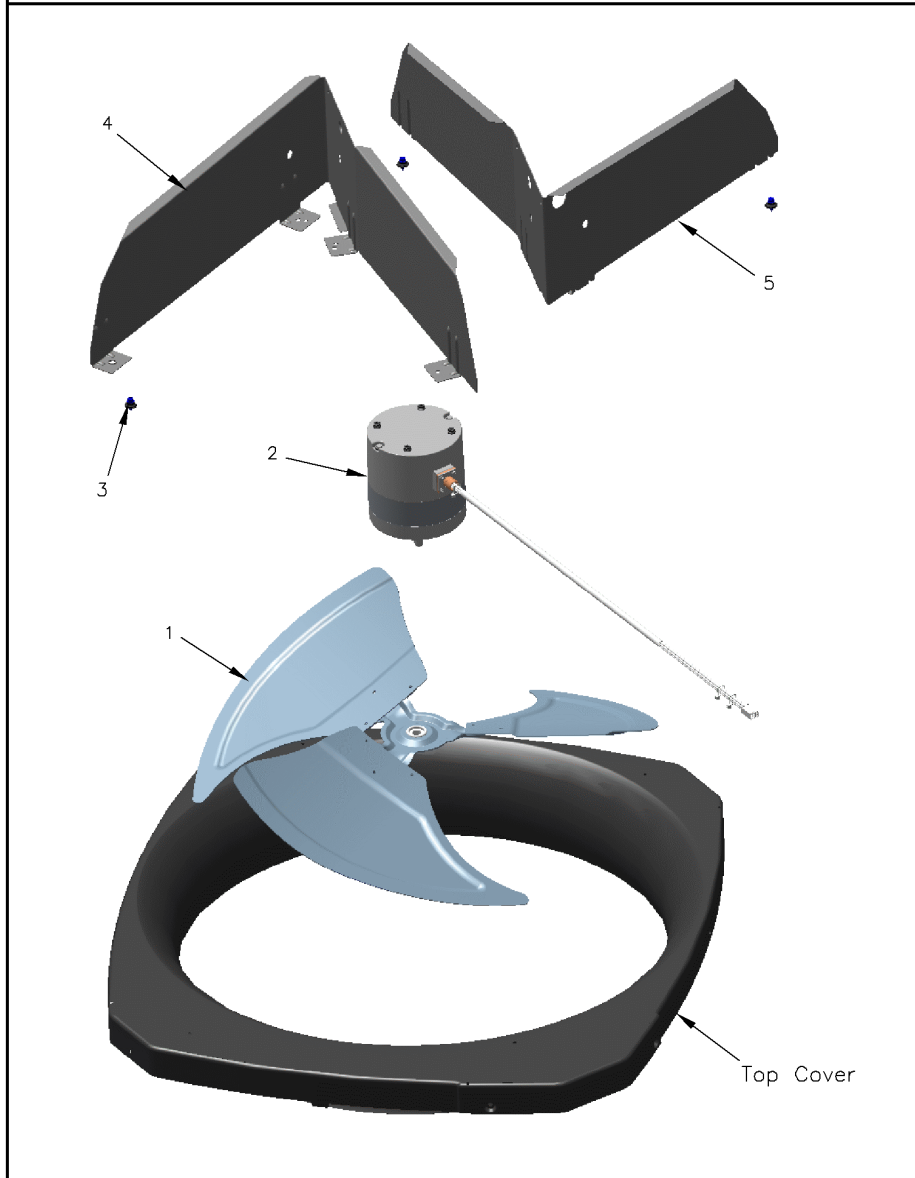
| Part No. | Reference No. | Quantity | Description |
|----------|---------------|----------|--|
| ATT00501 | * | 1 | ATTENUATOR; SOUND ENCLOSURE, 17.03 H X 8.4 ID X 10.5 OD |
| BOD00114 | * | 1 | BODY; VALVE, BRASS, 7/16 HEX, 7/16 -20 UNF-2A |
| COR00103 | * | 1 | CORE; VALVE, .79 LENGTH, .206-36 UNS-1 MOD. THD |
| GRM01026 | * | 1 | GROMMET; COLD PLATE TUBING, 2.65 X 1.01, (2) 0.50 DIA HOLES |
| SHD00378 | * | 1 | SHIELD; SALT, 43.75 X 8.00 |
| SPC00382 | * | 1 | SPACER; ORIFICE |
| SPC00386 | * | 1 | SPACER; BASE, 5.50 X 1.00 X 0.50 |
| SPC00512 | * | 3 | SPACER; TUBING |
| SPC00513 | * | 6 | SPACER; COIL |
| COM10829 | 1 | 1 | COMPRESSOR; SCROLL, RPA028A1CPA, 2.3 TON, 208V/60/1, R-410A, 3/4 SUCTION, 1/2 DISCHARGE, STUB TUBE |
| COL25305 | 2 | 1 | COIL ASM-REPL |
| SWT03749 | 3 | 1 | SWITCH; HIGH PRESSURE, SPST, OPEN AT 650 PSIG, CLOSE AT 500 PSIG, 83 INCH QC LEADS, BRAZED |
| TUB13648 | 4 | 1 | TUBE; LIQUID |
| TDR00645 | 5 | 1 | TRANSDUCER; PRESSURE, SUCTION, 0.5 VDC AT 14.7 PSIA, 4.5 VDC AT 400 PSIA, 1/4" SAE FEMALE FLARE WITH DEFLATOR, 7/16-20 UNF-2B 5/8 ACROSS FLATS, 72 IN |
| VAL09293 | 6 | 1 | VALVE, SERVICE LIQUID, .38 OD X .38 OD, VALVE ASSY |
| DHY01452 | 7 | 1 | DRIER; BI-FLOW; SERVICE FIRST; 16 CU. IN; DCB163S, 3/8 ODF CONNECTIONS; 5.7 TON CAPACITY; APPROVED FOR MINERAL OIL AND POE OIL REFRIGERANTS; MANUFACTU |
| VAL07327 | 8 | 1 | VALVE, SERVICE GAS, .75 OD X .75 OD, BALL VALVE ASSY, BRASS, FEMALE BRAZE TO FEMALE BRAZE, LEFT HAND SERVICE PORT |
| BRK03696 | 9 | 1 | BRACKET; VALVE |
| SCR01914 | 10 | 4 | SCREW, ASSEMBLY COMPRESSOR, 5/16-12 TYPE B, W/WASHER & SLEEVE |

FAN

75010290

REV
A

TYPICAL ILLUSTRATION



Parts List Number :75010343#4TTV0UP1

Model Number :4TTV0036B1000CC

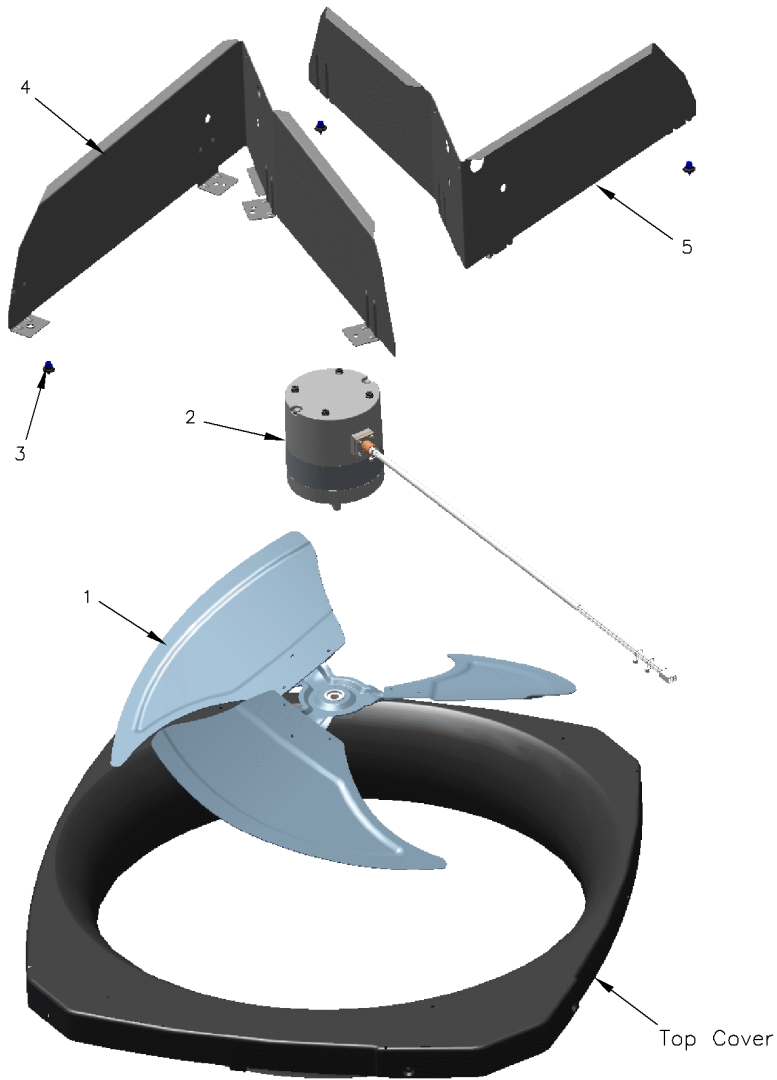
| Part No. | Reference No. | Quantity | Description |
|----------------------------|---------------|----------|----------------|
| 75010290_4TTV0UP1_185761~P | * | | FAN PARTS LIST |

FAN

75010290

REV
A

TYPICAL ILLUSTRATION



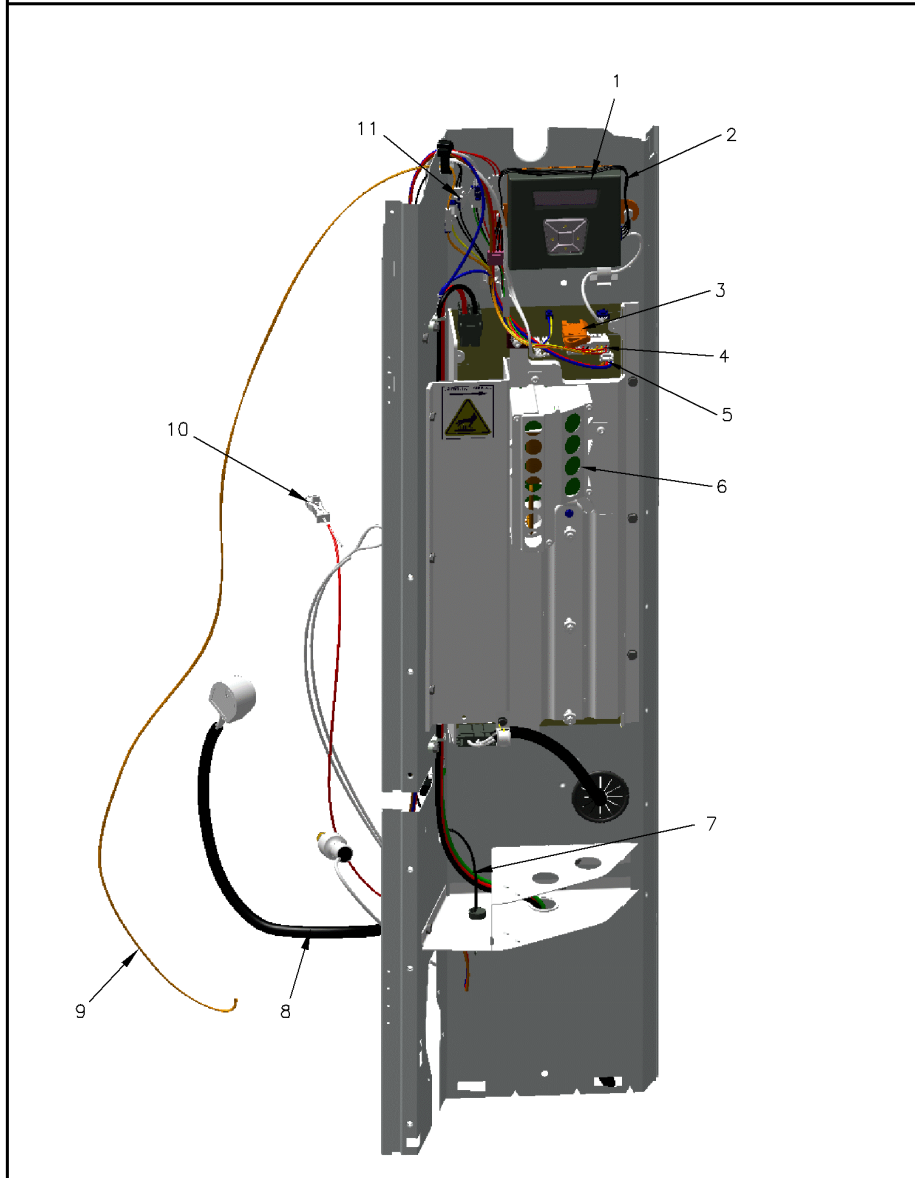
| Part No. | Reference No. | Quantity | Description |
|----------|---------------|----------|---|
| SCR02010 | * | 3 | SCREW; 12-18 AB HXW 1/2 SN |
| SCR02086 | * | 4 | SCREW; 10-32 TR-3 HXW 3/8 S |
| FAN04368 | 1 | 1 | FAN, 3 SWEPT BLADE, 27.5" DIA, 26 DEG PITCH, 0.50" BORE, CCW, ALUMINUM |
| MOT16196 | 2 | 1 | MOTOR; 1/3 HP, TWO SPEED, 200-240/60/1, 200-1200 RPM, 48 FRAME, ECM |
| ISR00047 | 3 | 3 | ISOLATOR; VIBRATION, 0.700 OD DIA X 0.350 ID DIA |
| SCR02027 | 3 | 3 | SCREW; 12-14 AB HXW 7/16 S |
| KIT18706 | 4 | 1 | KIT; REPLACEMENT FAN BRACKETS (KIT INCLUDES BOTH MOTOR MOUNT SUPPORT BRACKETS, 3-ISR00047, 3-SCR02027 AND 3-SCR02054) |

CONTROLS

75010346

REV
A

TYPICAL ILLUSTRATION



CONTROLS

Parts List Number :75010343#4TTV0UP1

Model Number :4TTV0036B1000CC

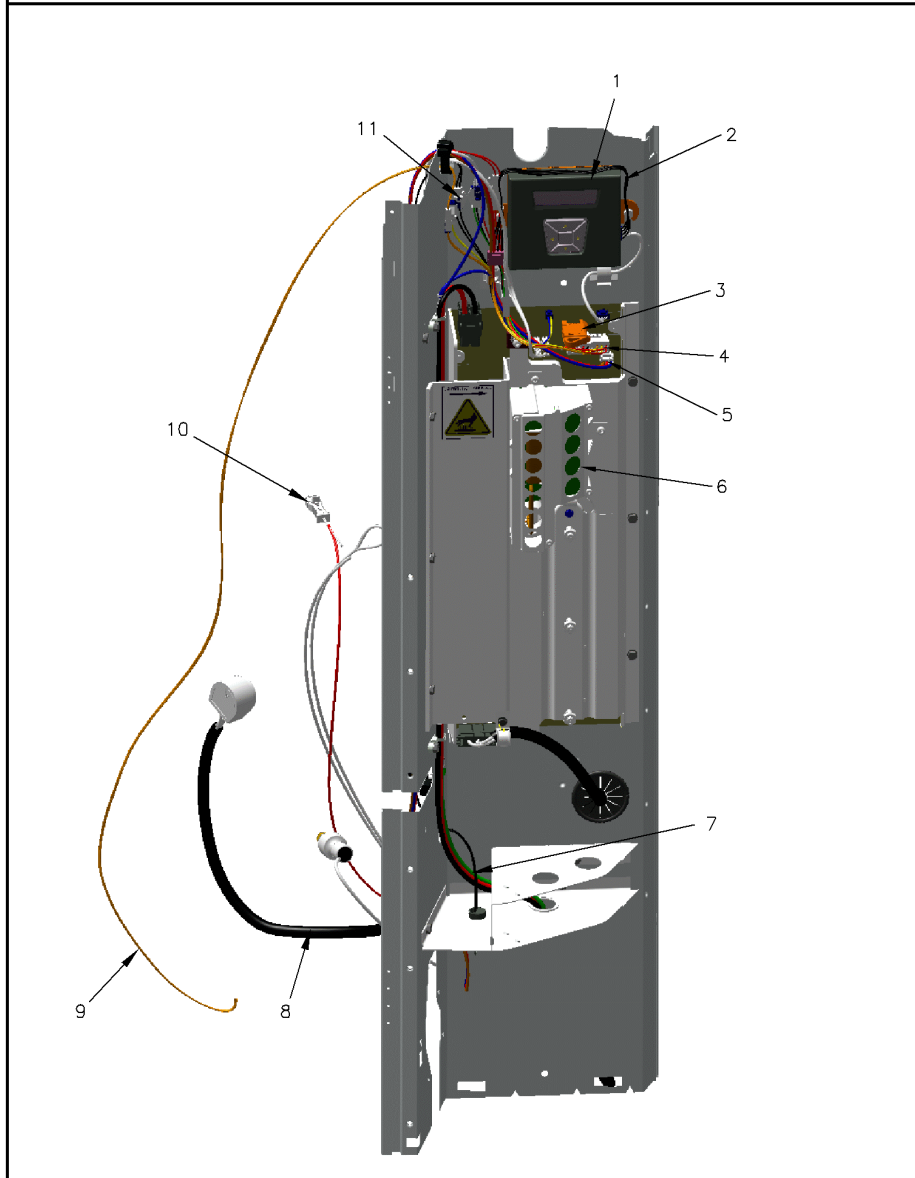
| Part No. | Reference No. | Quantity | Description |
|----------------------------|---------------|----------|---------------------|
| 75010346_4TTV0UP1_282117~P | * | | CONTROLS PARTS LIST |

CONTROLS

75010346

REV
A

TYPICAL ILLUSTRATION



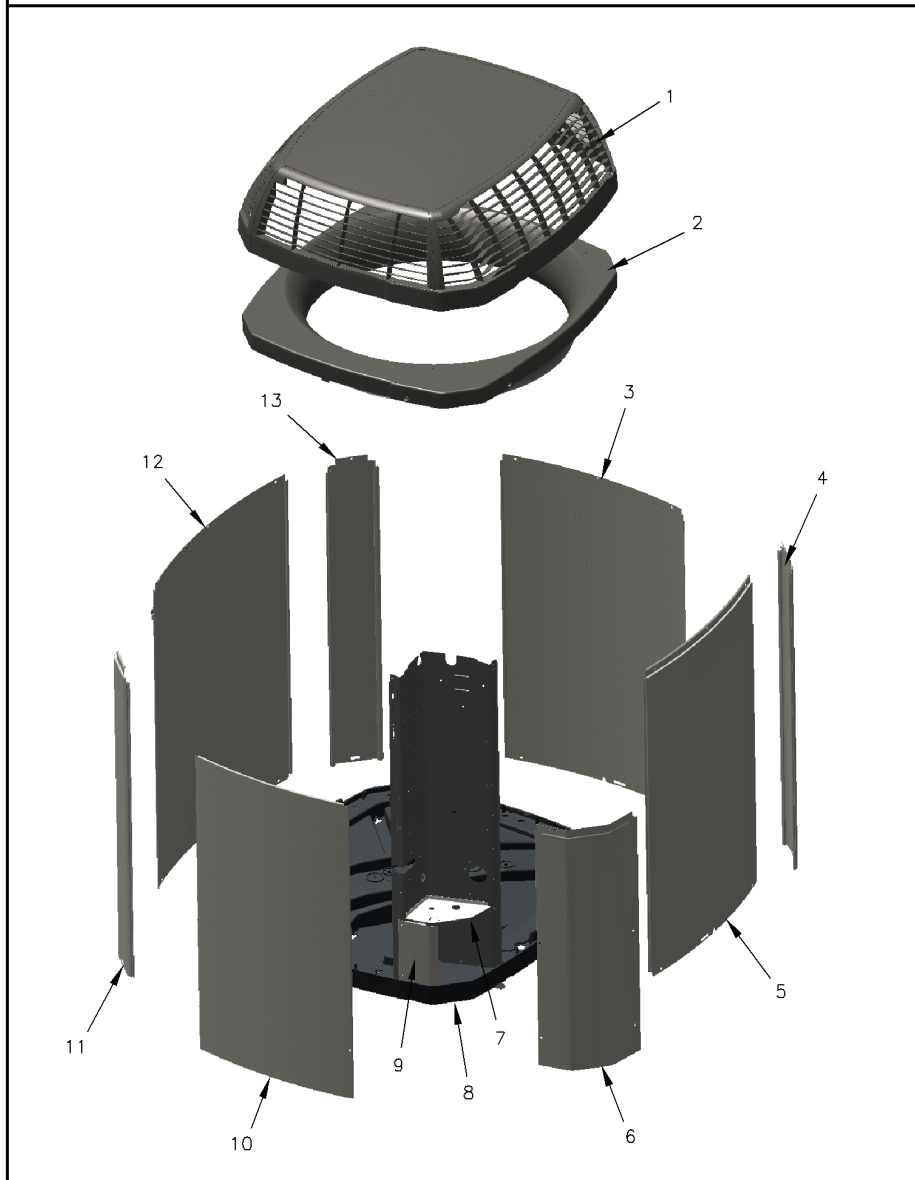
| Part No. | Reference No. | Quantity | Description |
|----------|---------------|----------|--|
| CLP01039 | * | 1 | CLIP; STRAIN RELIEF |
| SHD00386 | * | 1 | SHIELD; MOISTURE, 12.75 X 5.00 |
| CNT07026 | 1 | 1 | CONTROL; DISPLAY ASSEMBLY |
| WIR07134 | 2 | 1 | WIRE; HARNESS, CONTROL DISPLAY ASSEMBLY, (2) 4 PIN CONNECTORS, RED-GRN-WHT-BLK WIRES |
| MOD01574 | 3 | 1 | MODULE; TO ORDER-SEE EXT NOTE |
| WIR07181 | 4 | 1 | WIRE; HARNESS-SENSOR JUNCTION, 18 PIN DRIVE BULKHEAD, INCL CONNECTORS FOR THESE SENSORS: SUCTION PRESS, ODS, STS, CBS, DTS, YL GR TO MOTOR, YL BL TO PWM |
| WIR07941 | 5 | 1 | WIRE; HARNESS-CL-2 FIELD |
| DRV03233 | 6 | 1 | DRIVE; 6.3KW 5T SINGLEPACK TRANE RESIDENTIAL |
| WIR07183 | 7 | 1 | WIRE; HARNESS-POWER HV, BLK/BLU, BRN/RED WIRES, 2 PIN MOLEX PLUG, 36 IN LENGTH |
| WIR07184 | 8 | 1 | WIRE; HARNESS, COMPRESSOR SHIELD ASSEMBLY, MOLDED PLUG, 12 AWG, 50 INCH LENGTH |
| SEN02207 | 9 | 1 | SENSOR; SUCTION LINE, 0.750 DIA TUBE, 2 PIN CONNECTOR, 43 IN ORANGE LEADS |
| SEN02136 | 10 | 1 | SENSOR; DOME, NTC THERMISTOR, TEMP RANGE -40C TO 150C, 1.69 L WITH MOLEX CONNECTOR AND 80 IN LEADS |
| SEN02603 | 11 | 1 | SENSOR; AMBIENT, 36 INCH BLACK WIRES |

CABINET

75010299

REV
A

TYPICAL ILLUSTRATION



Parts List Number :75010343#4TTV0UP1

Model Number :4TTV0036B1000CC

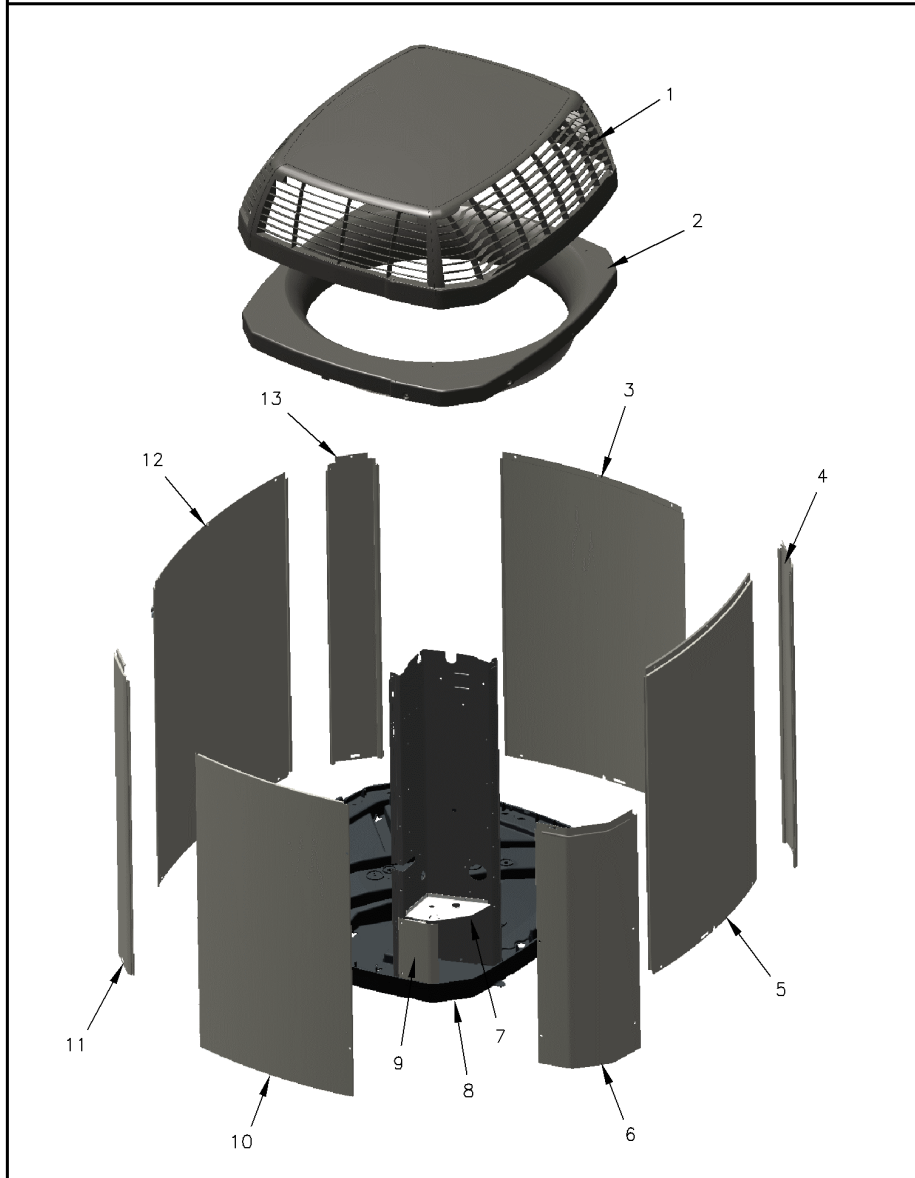
| Part No. | Reference No. | Quantity | Description |
|----------------------------|---------------|----------|--------------------|
| 75010299_4TTV0UP1_367068~P | * | | CABINET PARTS LIST |

CABINET

75010299

REV
A

TYPICAL ILLUSTRATION



| Part No. | Reference No. | Quantity | Description |
|----------|---------------|----------|--|
| PAI00246 | * | 1 | PAINT; SPRAY, TARPAULIN GRAY (SHIPPING UOM 12 OZ HAZ) |
| PAI00248 | * | 1 | PAINT; 12 OZ SPRAY, ANTHRACITE GRAY (SHIPPING UOM 12 OZ HAZ) |
| PLT04450 | * | 1 | PLATE; NAMEPLATE, TRANE LOGO, 9.0 X 1.5 |
| SCR02010 | * | 19 | SCREW; 12-18 AB HXW 1/2 SN |
| COV05617 | 1 | 1 | COVER; BLACK, TOP APPEARANCE ASSEMBLY, 37.16 X 34.14 X 8.15 HIGH |
| COV05619 | 2 | 1 | COVER; TOP, 36.59 X 33.59, STEEL, BLACK |
| PNL13009 | 3 | 1 | PANEL, WRAPPER, 23.22 X 37.33 |
| PNL13006 | 4 | 1 | PANEL, CORNER POST, 3.570 X 37.33 |
| PNL13009 | 5 | 1 | PANEL, WRAPPER, 23.22 X 37.33 |
| COV04028 | 6 | 1 | COVER; CONTROL PANEL, 11.32 x 30.11 |
| COV03228 | 7 | 1 | COVER, CONTROL BOTTOM |
| BAS01834 | 8 | 1 | BASE; 41.78 X 41.81 DIAGONALLY |
| COV03835 | 9 | 1 | COVER; VALVE |
| PNL13159 | 10 | 1 | PANEL; ACCESS, 19.88 X 36.65 |
| PNL13006 | 11 | 1 | PANEL, CORNER POST, 3.570 X 37.33 |
| PNL13158 | 12 | 1 | PANEL; WRAPPER, 27.13 X 37.33 |
| PNL13006 | 13 | 1 | PANEL, CORNER POST, 3.570 X 37.33 |

MODEL NUMBER DESCRIPTION
OUTDOOR UNITS

75005586

REV
E

Example Model Number:

4 TWV 0 0 3 6 A 1 0 0 0 AA
1 - - - - 5 - - - - 10 - - - - 15

Digit 1 – Refrigerant Type

2 = R-22
4 = R-410A

Digit 2 – Trane

Digit 3 – Product Type

W = Split Heat Pump
T = Split Cooling

Digit 4 – Product Family

V = Variable Speed
Z = Leadership - Two Stage
X = Leadership
R = Replacement/Retail
M or B = Basic
A = Light Commercial
L = Side Discharge
S = Side Discharge 3 Phase

Digit 5 – Family SEER

3 = 13 7 = 17
4 = 14 8 = 18
5 = 15 9 = 19
6 = 16 0 = 20

Digits 6 – Split System Connections 1-6 Tons

0 = Brazed

Digits 7,8 – Nominal Capacity in 000s BTUs

Digit 9 – Major Design Modifications

Digit 10 – Power Supply

1 = 200-230/1/60 or 208-230/1/60
3 = 200-230/3/60
4 = 460/3/60
5 = 400/3/60
A = 220-240/1/50
D = 380-415/3/50

Digit 11,12,13 – Secondary Function

Digit 14 – Minor Design Modifications

Digit 15 – Unit Parts Identifier

| Part No. | Reference No. | Quantity | Description |
|----------------------------|---------------|----------|-------------------------------------|
| 75005586_4TTV0UP1_144599~P | * | | MODEL NUMBER DESCRIPTION PARTS LIST |

MODEL NUMBER DESCRIPTION

75005586

REV
D

OUTDOOR UNITS

Example Model Number:

4 TWV 00 3 6 A 1 0 0 0 A A
1 - - - 5 - - - 10 - - - 15

Digit 1 – Refrigerant Type

2 = R-22
4 = R-410A

Digit 2 – Trane

Digit 3 – Product Type

W = Split Heat Pump
T = Split Cooling

Digit 4 – Product Family

V = Variable Speed
Z = Leadership - Two Stage
X = Leadership
R = Replacement/Retail
M or B = Basic
A = Light Commercial
L = Side Discharge

Digit 5 – Family SEER

3 = 13 7 = 17
4 = 14 9 = 19
5 = 15 9 = 19
6 = 16 0 = 20

Digits 6 – Split System Connections 1-6 Tons

0 = Brazed

Digits 7,8 – Nominal Capacity in 000s BTUs

Digit 9 – Major Design Modifications

Digit 10 – Power Supply

1 = 200-230/1/60 or 208-230/1/60
3 = 200-230/3/60
4 = 460/3/60

Digit 11,12,13 – Secondary Function

Digit 14 – Minor Design Modifications

Digit 15 – Unit Parts Identifier

OPTIONAL ACCESSORIES

Parts List Number :75010343#4TTV0UP1

Model Number :4TTV0036B1000CC

| Part No. | Reference No. | Quantity | Description |
|---------------------------|---------------|----------|---------------------------------|
| OPTIONS_4TTV0UP1_144614~P | * | | OPTIONAL ACCESSORIES PARTS LIST |

| Part No. | Reference No. | Quantity | Description |
|------------|---------------|----------|--|
| BAYECMT004 | * | 1 | KIT; EXTREME MOUNTING CONDITION (BAYECMT004) |
| BAYISLT101 | * | 1 | KIT; ISOLATOR (BAYISLT101) (CONTAINS A QTY OF 5 ISOLATORS) |
| BAYLEGS004 | * | 1 | KIT; SNOW LEGS, CONTAINS (4) 4" MOUNTING LEGS |
| BAYLEGS007 | * | 1 | KIT; SNOW LEGS, CONTAINS (4) 7" MOUNTING LEGS |
| BAYVDTA004 | * | 1 | KIT; VERTICAL AIR DISCHARGE (BAYVDTA004) |
| BAYVSEN002 | * | 1 | KIT; ENHANCED, SOUND ENCLOSURE, INCLUDES NOISE ENCLOSURE, SOUND PLATES & (4) VIBRATION ISOLATORS |
| KIT18738 | * | 1 | KIT; CRITTER FOAM |
| PAI00309 | * | 1 | PAINT; DARK BROWN, 12 OZ SPRAY CAN, HERESITE AIR DRY PHENOLIC COATING, VR-554T |