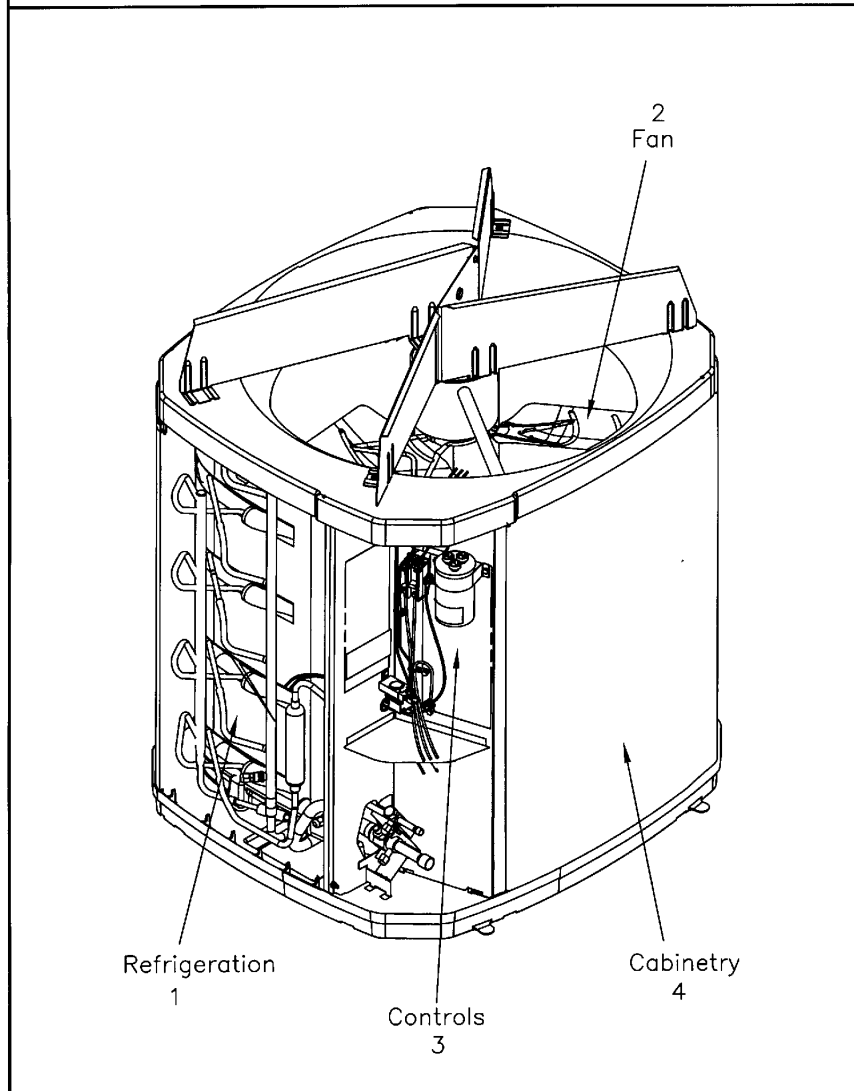


GENERAL ASSEMBLY

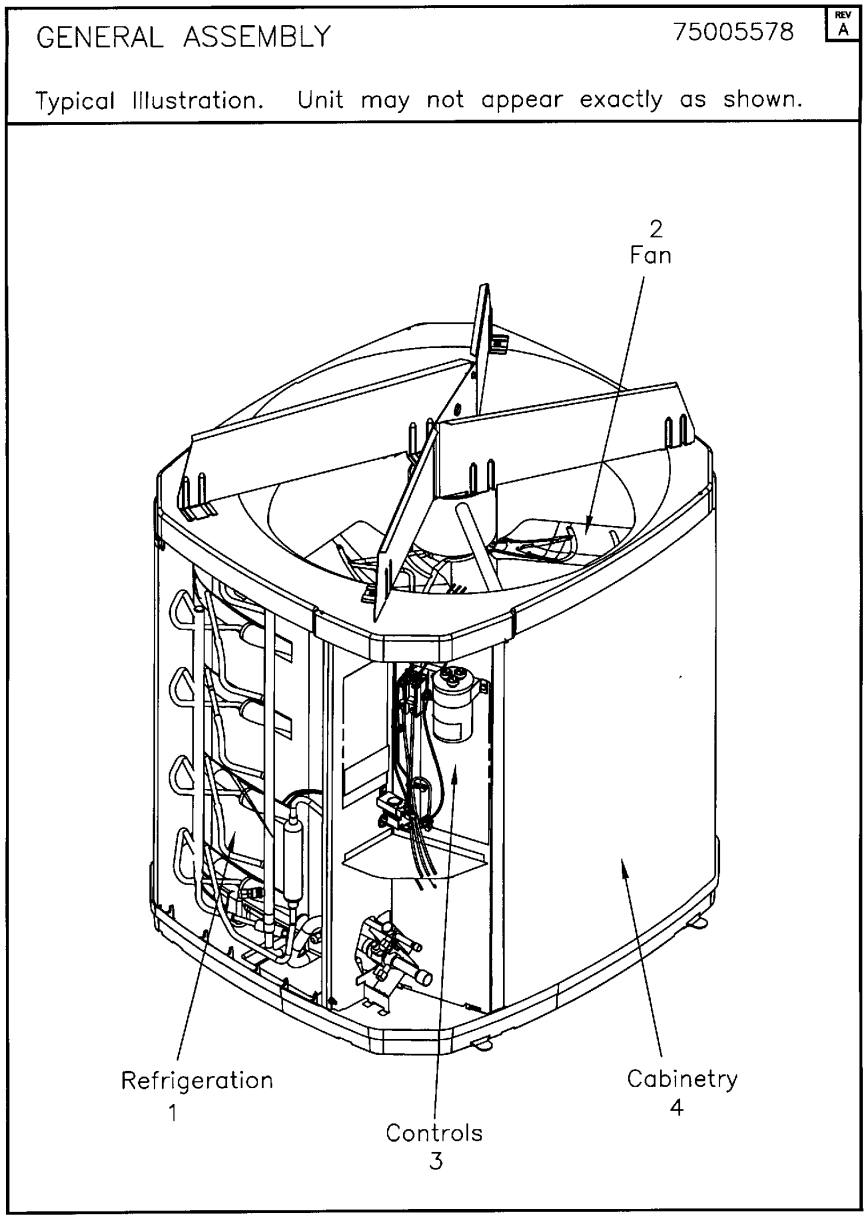
75005578

REV
A

Typical Illustration. Unit may not appear exactly as shown.



| Part No. | Reference No. | Quantity | Description |
|----------------------------|----------------------|-----------------|--------------------------------------|
| 75005578_4TTR7UP1_242288~P | * | | 4TTR7UP1 PARTS LIST |
| 75006805#4TTR7UP1~S | * | | CABINTRY |
| 75010117#4TTR7UP1~S | * | | CONTROLS |
| 75005599#4TTR7UP1~S | * | | FAN |
| 75005586#4TTR7UP1~S | * | | MODEL NOMENCLATURE |
| OPTIONS#4TTR7UP1~S | * | | OPTIONAL FIELD INSTALLED ACCESSORIES |
| 75009224#4TTR7UP1~S | * | | REFRIGERATION |



REFRIGERATION

75009224

REV
A

Typical Illustration. Unit may not appear exactly as shown.



Parts List Number :75005578#4TTR7UP1

Model Number :4TTR7048B1000AA

| Part No. | Reference No. | Quantity | Description |
|----------------------------|---------------|----------|--------------------------|
| 75009224_4TTR7UP1_284669~P | * | | REFRIGERATION PARTS LIST |

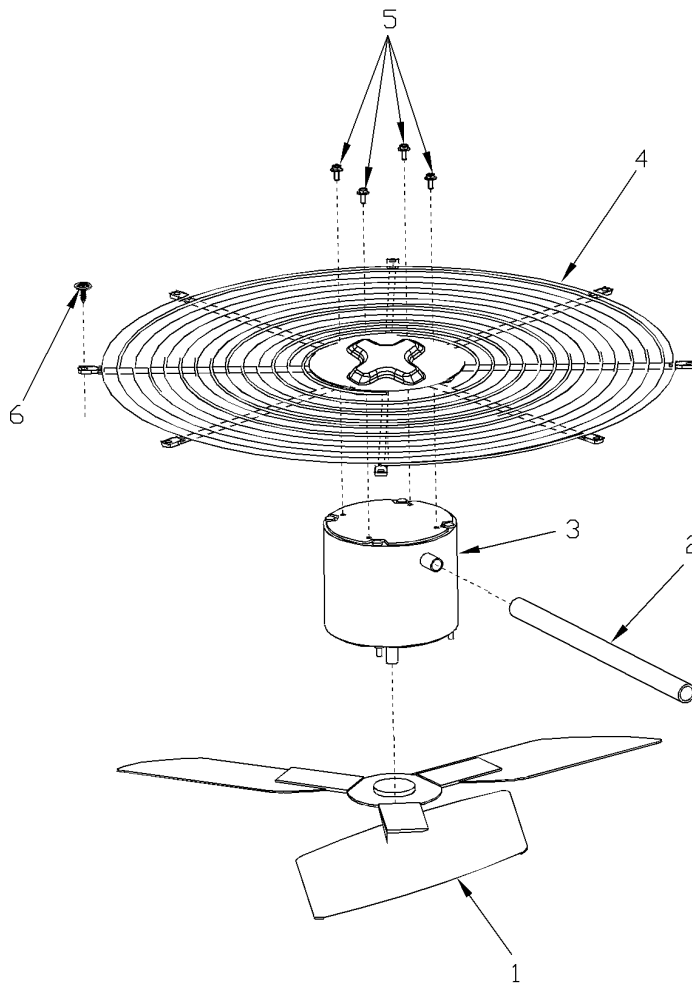
| Part No. | Reference No. | Quantity | Description |
|----------|---------------|----------|---|
| BAR00178 | * | 1 | BAR; STEEL, 3.70 X .75 DIA |
| CLP01072 | * | 2 | CLIP; BULB (BLUE), 3/4 OD TUBE |
| ISR00007 | * | 4 | ISOLATOR; VIBRATION |
| PLU01057 | * | 1 | PLUG; COMPRESSOR SOLENOID, 2 LEADS, WHITE WIRES, 85 IN LENGTH |
| SCR01914 | * | 4 | SCREW, ASSEMBLY COMPRESSOR, 5/16-12 TYPE B, W/WASHER & SLEEVE |
| SPC00386 | * | 1 | SPACER; BASE, 5.50 X 1.00 X 0.50 |
| SWT03347 | * | 1 | SWITCH; LOW PRESSURE, OPEN @ 50 PSIG CLOSE @ 70 PSIG |
| SWT03364 | * | 1 | SWITCH, HIGH PRESSURE, SPST, OPEN @ 650 PSIG, CLOSE @ 500 PSIG, 110" LEAD |
| WIR04816 | * | 1 | WIRE; PLUG-SCROLL COMPRESSOR |
| COL25748 | 1 | 1 | COIL; SPINE FIN, 32.14W X 43.00H |
| COM12923 | 2 | 1 | COMPRESSOR; SCROLL, TBA040B1CPA, 4.0 TON, 208-230/60/1, R410A, BRAZED-STUB TUBE |
| VAL09293 | 3 | 1 | VALVE, SERVICE LIQUID, .38 OD X .38 OD, VALVE ASSY |
| VAL11774 | 4 | 1 | VALVE; SERVICE GAS ASSEMBLY, 0.88 ODS X 0.88 ODS, WITH 0.25 SAE SERVICE PORT SERVICE |
| BRK03696 | 5 | 1 | BRACKET; VALVE |
| DHY01457 | 6 | 1 | DRIER; LIQUID LINE; SERVICE FIRST; 5 CU. IN.; 5.4 TON CAPACITY; 3/8" ODF INLET X 3/8" ODF OUTLET; APPROVED FOR MINERAL OIL AND POE OIL REFRIGERANTS |

FAN

75005599

REV
A

Typical Illustration. Unit may not appear exactly as shown.



Parts List Number :75005578#4TTR7UP1

Model Number :4TTR7048B1000AA

| Part No. | Reference No. | Quantity | Description |
|----------------------------|---------------|----------|----------------|
| 75005599_4TTR7UP1_284666~P | * | | FAN PARTS LIST |

FAN

75005599

REV
A

Typical Illustration. Unit may not appear exactly as shown.



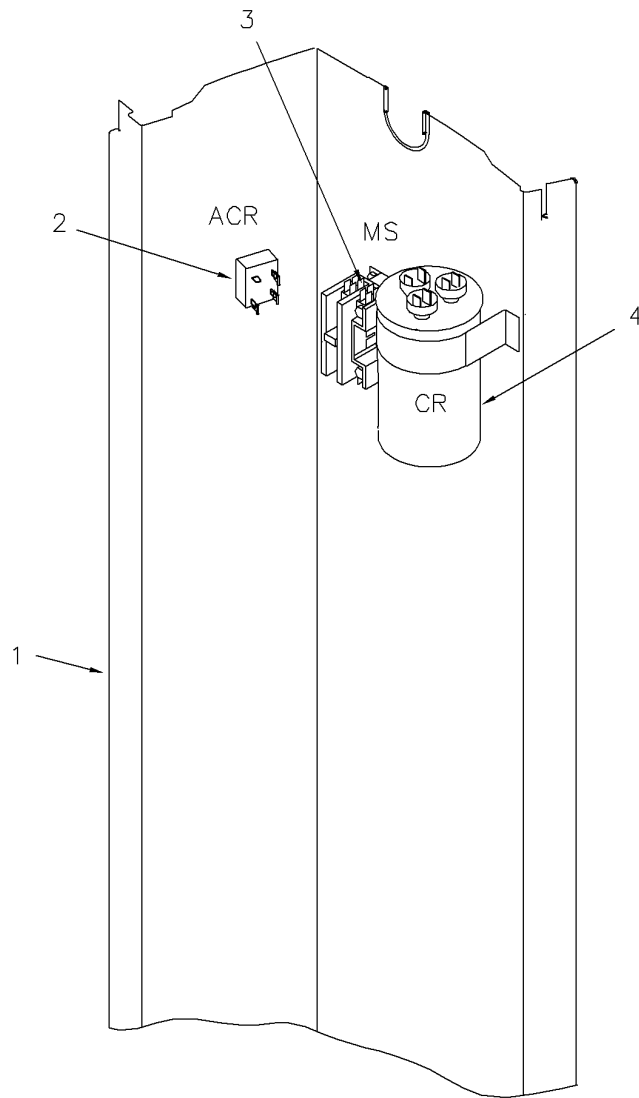
| Part No. | Reference No. | Quantity | Description |
|-----------------|----------------------|-----------------|--|
| FAN04368 | 1 | 1 | FAN, 3 SWEPT BLADE, 27.5" DIA, 26 DEG PITCH, 0.50" BORE, CCW, ALUMINUM |
| GRD01416 | 2 | 1 | GUARD, TROUGH-LEAD |
| MOT18777 | 3 | 1 | MOTOR; 1/3HP OD CSM |
| GRL01348 | 4 | 1 | GRILLE; FAN, 29 IN DIA, SPIRAL WIRE, BASALT GREY |
| SCR02086 | 5 | 4 | SCREW; 10-32 TR-3 HXW 3/8 S |

Controls

75010117

REV
A

Typical illustration. Unit may not appear exactly as shown.



Parts List Number :75005578#4TTR7UP1

Model Number :4TTR7048B1000AA

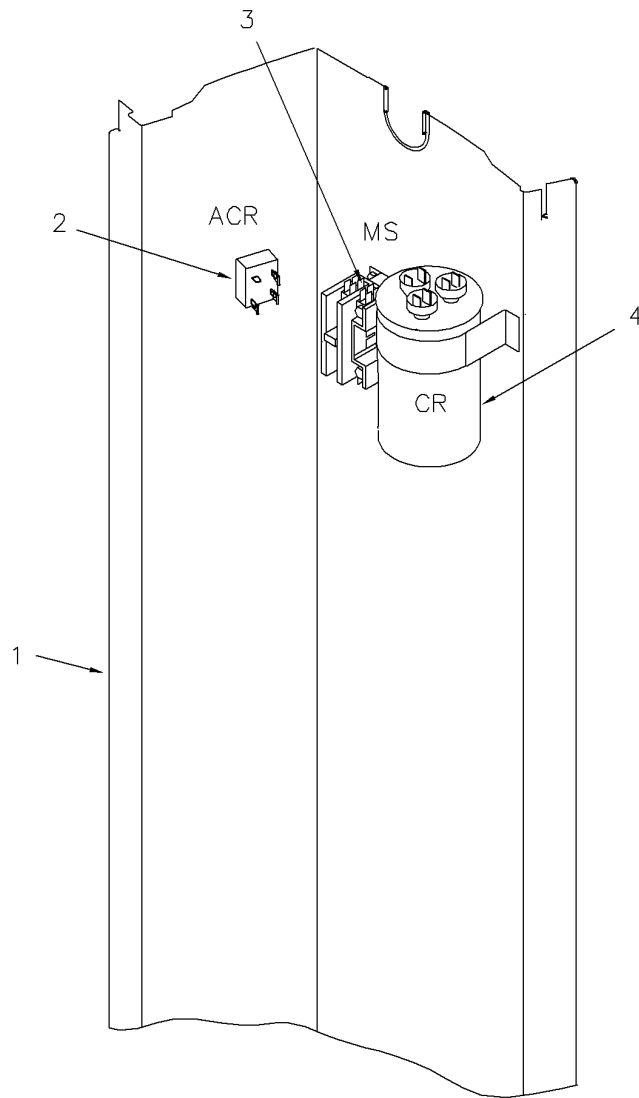
| Part No. | Reference No. | Quantity | Description |
|----------------------------|---------------|----------|---------------------|
| 75010117_4TTR7UP1_284670~P | * | | CONTROLS PARTS LIST |

Controls

75010117

REV
A

Typical illustration. Unit may not appear exactly as shown.



CONTROLS PARTS LIST

Parts List Number :75005578#4TTR7UP1

Model Number :4TTR7048B1000AA

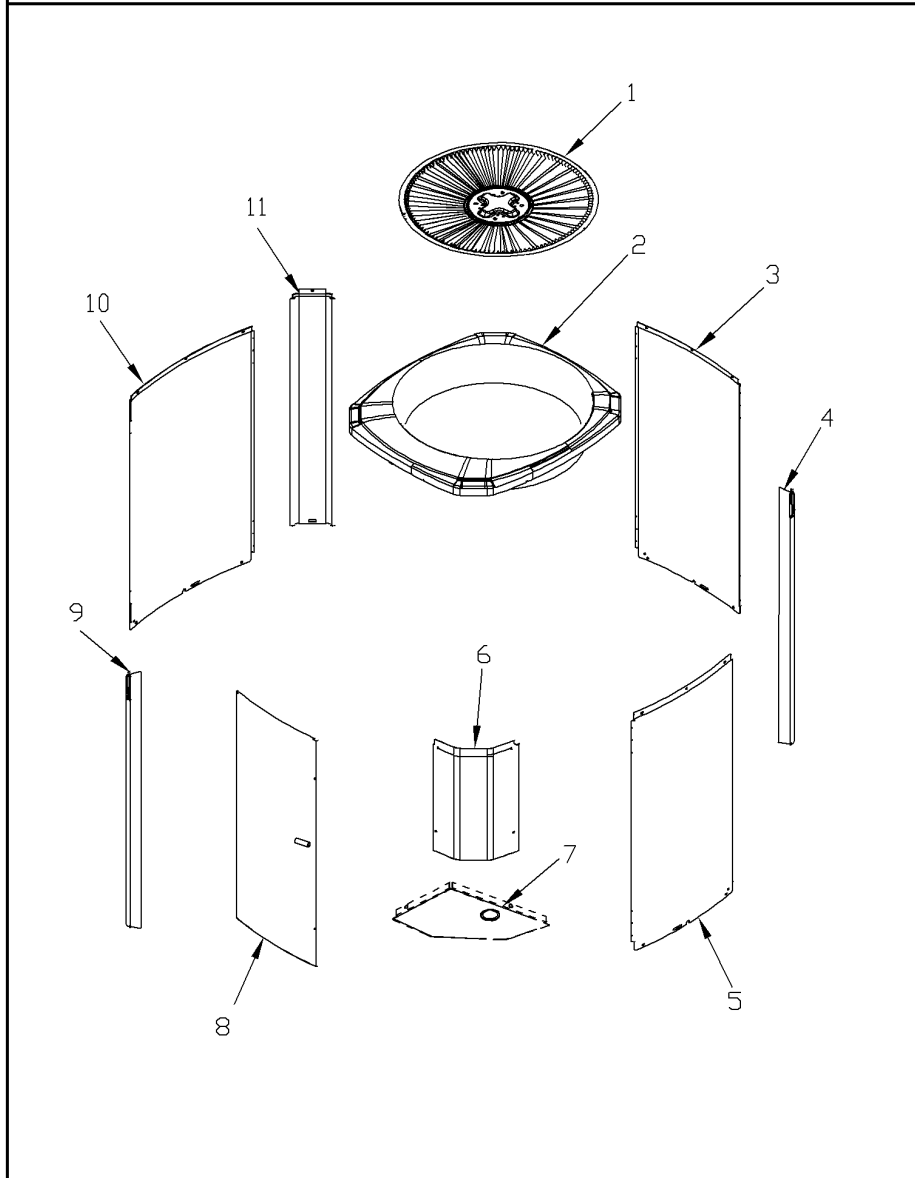
| Part No. | Reference No. | Quantity | Description |
|-----------------|----------------------|-----------------|---|
| SHD00386 | * | 1 | SHIELD; MOISTURE, 12.75 X 5.00 |
| SHD00387 | * | 1 | SHIELD; MOISTURE, 10.25 X 4.00 |
| WIR09431 | * | 1 | WIRE; HARNESS |
| PNL25790 | 1 | 1 | PANEL, CONTROL PANEL BASE, 39.14 HEIGHT |
| RTF00058 | 2 | 1 | RECTIFIER; BRIDGE |
| CTR00845 | 3 | 1 | CONTACTOR; 30 AMP, 240/480/600V, 24V COIL, 1 POLE |
| CPT00578 | 4 | 1 | CAPACITOR; RUN, 35 MFD, 440V, ROUND, W/O RESISTOR |

CABINETY

75006805

REV
A

Typical Illustration. Unit may not appear exactly as shown.



Parts List Number :75005578#4TTR7UP1

Model Number :4TTR7048B1000AA

| Part No. | Reference No. | Quantity | Description |
|----------------------------|---------------|----------|---------------------|
| 75006805_4TTR7UP1_284667~P | * | | CABINERY PARTS LIST |

CABINETY

75006805

REV
A

Typical Illustration. Unit may not appear exactly as shown.



| Part No. | Reference No. | Quantity | Description |
|----------|---------------|----------|--|
| BAS01834 | * | 1 | BASE; 41.78 X 41.81 DIAGONALLY |
| PAI00246 | * | 1 | PAINT; SPRAY, TARPAULIN GRAY (SHIPPING UOM 12 OZ HAZ) |
| PAI00248 | * | 1 | PAINT; 12 OZ SPRAY, ANTHRACITE GRAY (SHIPPING UOM 12 OZ HAZ) |
| PLT04086 | * | 1 | PLATE; NAMEPLATE-TRANE LOGO, 9.0 X 1.82. THIS BADGE DOES NOT INCLUDE THE XR1# INSERT. FOR COMPLETE BADGE ORDER PLT03603, PLT04109 OR PLT04079. |
| SCR02010 | * | 19 | SCREW; 12-18 AB HXW 1/2 SN |
| GRL01348 | 1 | 1 | GRILLE; FAN, 29 IN DIA, SPIRAL WIRE, BASALT GREY |
| COV04506 | 2 | 1 | COVER; TOP, 37.00 X 34.00, TARPAULIN GRAY |
| PNL25809 | 3 | 1 | PANEL; WRAPPER, 23 X 41 |
| PNL25807 | 4 | 1 | PANEL; CORNER POST, 3.57 X 41.33 |
| PNL25809 | 5 | 1 | PANEL; WRAPPER, 23 X 41 |
| COV03224 | 6 | 1 | COVER, CONTROL, 11.32 X 18.11 |
| COV03228 | 7 | 1 | COVER, CONTROL BOTTOM |
| PNL25810 | 8 | 1 | PANEL; ACCESS, 19.84 X 40.65 |
| PNL25807 | 9 | 1 | PANEL; CORNER POST, 3.57 X 41.33 |
| PNL25808 | 10 | 1 | PANEL; WRAPPER, 27 X 41.33 |
| PNL25807 | 11 | 1 | PANEL; CORNER POST, 3.57 X 41.33 |

MODEL NUMBER DESCRIPTION
OUTDOOR UNITS

75005586

REV
E

Example Model Number:

4 TWV 0 0 3 6 A 1 0 0 0 AA
1 - - - - 5 - - - - 10 - - - - 15

Digit 1 – Refrigerant Type

- 2 = R-22
- 4 = R-410A

Digit 2 – Trane

Digit 3 – Product Type

- W = Split Heat Pump
- T = Split Cooling

Digit 4 – Product Family

- V = Variable Speed
- Z = Leadership - Two Stage
- X = Leadership
- R = Replacement/Retail
- M or B = Basic
- A = Light Commercial
- L = Side Discharge
- S = Side Discharge 3 Phase

Digit 5 – Family SEER

- 3 = 13 7 = 17
- 4 = 14 8 = 18
- 5 = 15 9 = 19
- 6 = 16 0 = 20

Digits 6 – Split System Connections 1-6 Tons

- 0 = Brazed

Digits 7,8 – Nominal Capacity in 000s BTUs

Digit 9 – Major Design Modifications

Digit 10 – Power Supply

- 1 = 200-230/1/60 or 208-230/1/60
- 3 = 200-230/3/60
- 4 = 460/3/60
- 5 = 400/3/60
- A = 220-240/1/50
- D = 380-415/3/50

Digit 11,12,13 – Secondary Function

Digit 14 – Minor Design Modifications

Digit 15 – Unit Parts Identifier

| Part No. | Reference No. | Quantity | Description |
|----------------------------|---------------|----------|-------------------------------|
| 75005586_4TTR7UP1_242289~P | * | | MODEL NOMENCLATURE PARTS LIST |

MODEL NUMBER DESCRIPTION

75005586

REV
D

OUTDOOR UNITS

Example Model Number:

4 TWV 00 3 6 A 1 0 0 0 A A
1 - - - 5 - - - 10 - - - 15

Digit 1 – Refrigerant Type

2 = R-22
4 = R-410A

Digit 2 – Trane

Digit 3 – Product Type

W = Split Heat Pump
T = Split Cooling

Digit 4 – Product Family

V = Variable Speed
Z = Leadership - Two Stage
X = Leadership
R = Replacement/Retail
M or B = Basic
A = Light Commercial
L = Side Discharge

Digit 5 – Family SEER

3 = 13 7 = 17
4 = 14 9 = 19
5 = 15 9 = 19
6 = 16 0 = 20

Digits 6 – Split System Connections 1-6 Tons

0 = Brazed

Digits 7,8 – Nominal Capacity in 000s BTUs

Digit 9 – Major Design Modifications

Digit 10 – Power Supply

1 = 200-230/1/60 or 208-230/1/60
3 = 200-230/3/60
4 = 460/3/60

Digit 11,12,13 – Secondary Function

Digit 14 – Minor Design Modifications

Digit 15 – Unit Parts Identifier

Parts List Number :75005578#4TTR7UP1

Model Number :4TTR7048B1000AA

| Part No. | Reference No. | Quantity | Description |
|---------------------------|---------------|----------|---|
| OPTIONS_4TTR7UP1_242294~P | * | | OPTIONAL FIELD INSTALLED ACCESSORIES PARTS LIST |

NO GRAPHIC AVAILABLE

75013702

REV
A

**NO
GRAPHIC
AVAILABLE**

Parts List Number :75005578#4TTR7UP1

Model Number :4TTR7048B1000AA

| Part No. | Reference No. | Quantity | Description |
|----------|---------------|----------|--|
| KIT07731 | * | 1 | KIT; SNOW LEGS, CONTAINS (4) 6" MOUNTING LEGS (BAYLEGS002) |
| KIT07732 | * | 1 | KIT; SNOW LEGS, (4" EXTENSION KIT) (BAYLEGS003) |
| KIT07908 | * | 1 | KIT; START ASSEMBLY (BAYSKT260) |
| KIT08164 | * | 1 | KIT; SUMP HEATER, 208/230V, BELLYBAND STYLE FOR SCROLL COMPRESSORS (BAYCCHT301), 6.5/7.5 DIA, 74 IN LENGTH |
| KIT08409 | * | 1 | KIT; VERTICAL AIR DISCHARGE (BAYVDTA004) |
| KIT09425 | * | 1 | KIT; ISOLATOR (BAYISLT101) (CONTAINS A QTY OF 5 ISOLATORS) |
| KIT15190 | * | 1 | KIT; EXTREME MOUNTING CONDITION (BAYECMT004). |
| PAI00309 | * | 1 | PAINT; DARK BROWN, 12 OZ SPRAY CAN, HERESITE AIR DRY PHENOLIC COATING, VR-554T |
| TOL03108 | * | 1 | TOOL; CHARGE ASSIST (BAYCAKT001AA) |